

Biodrier Eco

Hand dryer

Automatic



High Speed

Eco Surface Mounted High Speed Hand Dryer

Operating Instructions and Parts Manual (Automatic)



Technical Specifications

Item Category	Performance Data
Operating Voltage	220 - 240Vac, 50Hz, 900 WATTS
Air Speed Output	64 m/s, 140m ³ /h
Air Output Temperature	77°F (25°C) - Ambient Temperature 68°F (20°C)
Motor Type	23,000 rpm, 650W, Brush Type, Dual Ball Bearings
Motor Thermal Protection	Auto Resetting Thermostat turns unit off, 240V at 221°F (105°C) - EURO Spec
Heater Element	250W
Heater Thermal Protection	Auto Resetting Thermostat turns unit off at, 149°F (65°C)
Drying Time	Under 10 seconds
Decibel Rating	76 dba @ 1mtr
Circuit Operation	Infrared Automatic, self adjusting
Sensor Range	100 mm
Timing Protection	60 seconds auto shut off
Drip Proof	IP22
Isolation	CLASS I
Net Weight	4.5 kg
Shipping Weight	5 kg
Unit Size	280mm W x 300mm H x 175mm D
Approvals	CE, WEEE, Greenspec
Item Code	Cover Type/Finish
BE08W	Die Cast Aluminium; Epoxy Polyester Powder Coating (White)
BE08S	Die Cast Aluminium; Epoxy Polyester Powder Coating (Silver)
BE08C	Die Cast Aluminium; Bright Chrome

Eco Surface Mounted High Speed Hand Dryer

Operating Instructions and Parts Manual (Automatic)

General Safety Information

WARNING

Failure to properly ground unit could result in electrical shock and/or death.

This product is intended for installation by a qualified service person. Use AWAG No.16 solid conductor for wiring.

Disconnect power at the service breaker before installing or servicing.

NOT FOR HOUSEHOLD USE - MAY CAUSE BURNS
"IMPROPRE A L'USAGE DOMESTIQUE - PUET OCCASIONNER."

All units must be supplied with a 3-wire service. The ground wire must be connected with the dryers back plate.

NOTE: Do not install dryer over wash basin.

Type Y attachment

If the power supply cord is damaged, it must be replaced by the manufacturer or its service agent or a similar qualified person in order to avoid a hazard.

Means for disconnection must be incorporated in the fixed wiring in accordance with the wiring rules.

Installation

Installation must be carried out by a qualified electrician

1. Make sure power supply breaker is switched off. Installation must be carried out in accordance with the current edition of the local wiring regulations code having jurisdiction. Installation should be performed only by a qualified electrician.

2. Place template against wall at desired height (see mounting height recommendations) and mark locations of 4 mounting holes and wire service entry at knockout (KO) location.

NOTE: For two or more dryers, dryers should be no closer than 24 inches (610 mm) on centre.

3. Remove and retain 2 cover screws and cover.

4. Connect supply wires to terminal block where indicated and connect ground wire to baseplate with ground screw.

Connections:

- a. Connect the live wire (coloured red or brown) to the terminal block marked "L".
- b. Connect the neutral wire (coloured black or blue) to the terminal block marked "N".
- c. Connect the ground wire (coloured green or green and yellow) to the green screw marked "⊕".

Note that the colour of live and neutral wires depends on voltage of supply service.

5. Replace cover. Do not over-tighten screws.

Eco Surface Mounted High Speed Hand Dryer

Operating Instructions and Parts Manual (Automatic)

Recommended Mounting Heights

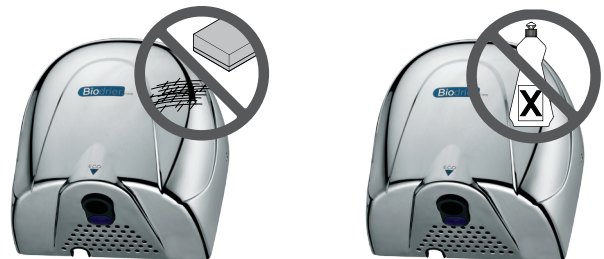
From floor to bottom of dryer.

Men's	Ladies	Children, ages 11-17	Children, ages 3-10	Disabled
43"	41"	39"	33"	35"
109 cm	104 cm	99 cm	84 cm	89 cm

Cleaning and Maintenance

All surfaces of the unit should be cleaned daily with a soft cloth dampened with warm, soapy water. Polish with a soft dry cloth.

DO NOT use caustic solutions or abrasive cleaning materials on the drier.



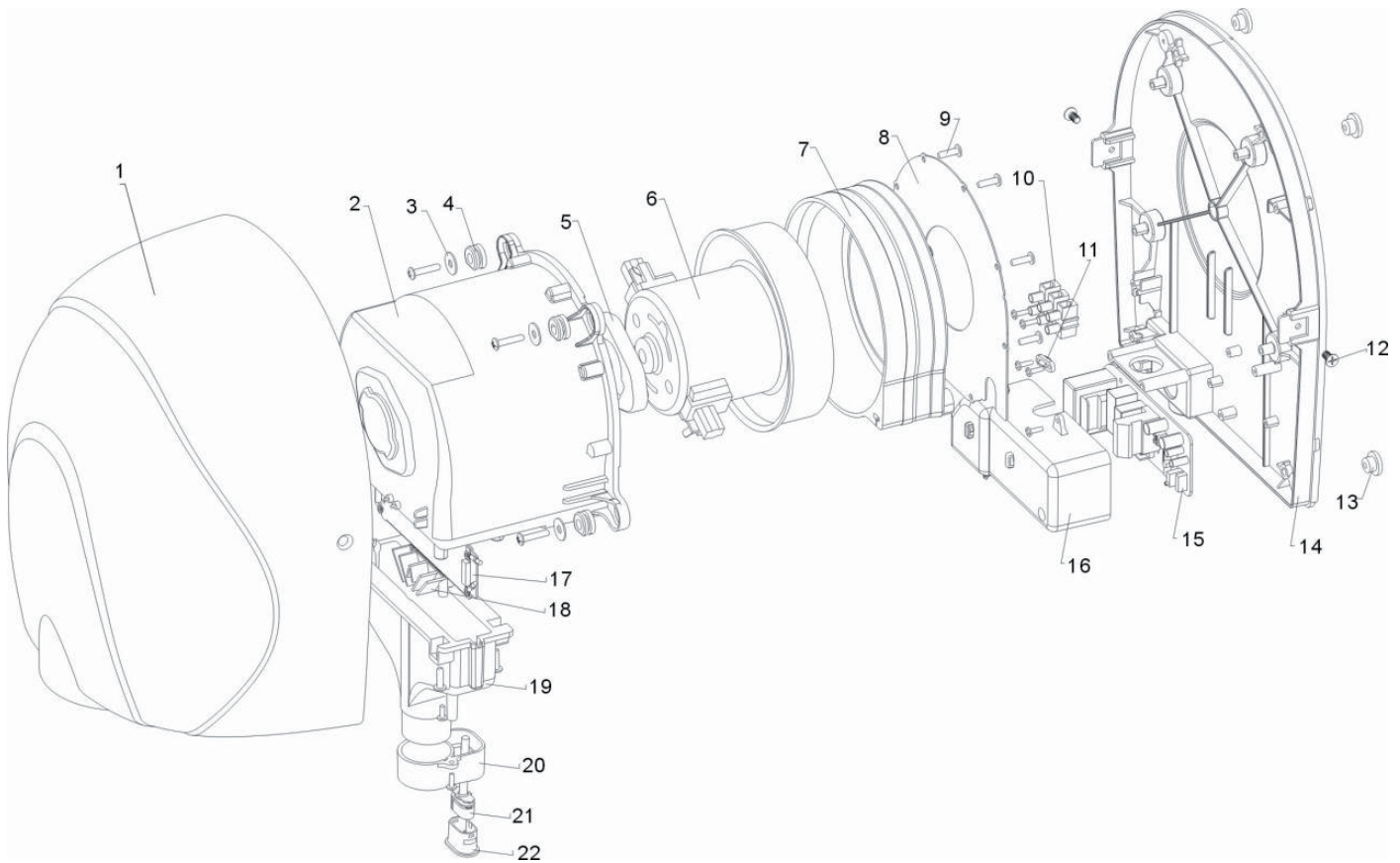
Operation

- No touch operation.
- Shake excess water from hands.
- Place hands under the outlet to start operation.
- Rub hands lightly and rapidly.
- Stops automatically after hands are removed.

Eco Surface Mounted High Speed Hand Dryer

Operating Instructions and Parts Manual (Automatic)

Diagram and Parts List



- | | | | |
|-----|---------------------------|-----|----------------------|
| 1. | Die Cast Cover | 12. | Cover Screws |
| 2. | Motor Housing | 13. | Nylon Bushes |
| 3. | Rubber Washer | 14. | Base Plate |
| 4. | Shock Absorber | 15. | Circuit Board Module |
| 5. | Motor Rubber | 16. | Circuit Board Cover |
| 6. | Motor | 17. | Heater Element |
| 7. | Rubber Mounting | 18. | Baffle Plate |
| 8. | Blower Mounting Plate | 19. | Air Outlet /baffle |
| 9. | Mounting Plate Screws | 20. | Senor Bracket |
| 10. | Electrical Terminal Block | 21. | Sensor Module |
| 11. | Cable Clamp | 22. | Sensor Screen |

Biodrier. com



FW3 LTD, Biodrier
West Hill, Exeter, EX11 1LQ
tel: +44(0)1404 814292 • email: sales@biodrier.com