

Multipoint SS

Horizontal / vertical water heaters





Multipoint SS

The sleek, stylish design of the Multipoint SS range of unvented water heaters are created using the most advanced water heating technology available. They are supplied with a comprehensive range of safety features ensuring the best possible performance, quality and reliability.

Available in both horizontal and vertical models, and with a choice of three capacities, the range suits a variety of applications. The slim design allows unobtrusive wall mounting or concealment within ceiling voids or risers (central void).

Manufactured in the UK from high grade Duplex stainless steel, Multipoint SS unvented water heaters have the advantage of a long life without the use of a protective anode. Backed by a 15 year inner cylinder guarantee with on-site service support for complete peace of mind.

Further more its factory-fitted immersion heater is manufactured from titanium to maximise its life.



Multipoint SS

Innovative technology

Cylinder construction

Duplex stainless steel offers a superior resistance to corrosion especially in aggressive water areas, compared with some grades of stainless steel, glass-lined steel and copper. Because Duplex is a low carbon, high chromium content alloy, it resists all forms of corrosion including pitting, crevice corrosion, uniform corrosion and stress corrosion cracking, without the use of a sacrificial anode. In addition, the tungsten inert gas welding coupled with the special post weld processes ensures the same level of corrosion resistance and mechanical strength as the parent metal. This ensures the longest possible working life for every cylinder.

The combination of its light weight and very strong construction makes Multipoint SS easier to handle on site. Every unit is pressure tested in the factory to 15 bar – five times the normal operating pressure – making Multipoint SS suitable for all domestic and commercial applications.

No sacrificial anode is required with Multipoint SS. With inferior grades of stainless steel, glass-lined steel and copper, sacrificial anodes are required to achieve a degree of corrosion resistance. However they require regular replacement which, if not carried out can result in premature cylinder failure. Multipoint SS overcomes any need for this by using top quality Duplex stainless steel.



Specification comparison to a copper unit

	Multipoint SS	Copper
Typical maximum working pressure	10 bar	4.5 bar
Typical operating pressure	3.5 bar	2.1 bar
Material	Duplex stainless steel	Copper



Commanding performance

Minimal heat loss

To minimise heat loss, a 38mm thick void-free layer of high performance polyurethane foam fills the space between the inner vessel and outer casing for maximum insulation efficiency.

Multipoint SS's carefully moulded one-piece insulation cannot separate in transit to ensure that its effectiveness is maintained, unlike other designs, which rely on the butt jointing of sheet materials.

Titanium immersion heaters

Our titanium immersion heater sets a new standard for operational life – even in the hardest or most aggressive water conditions.

Every Multipoint SS water heater is factory-fitted with a 3kW titanium immersion heater as standard.

Features and benefits

The Horizontal and vertical water heaters are all supplied complete with:

- A choice of 50, 80 or 100 litre capacities.
- Titanium element for long life.
- Factory-fitted temperature and pressure relief valve.
- Temperature gauge.
- Expansion vessel.
- Cold water control kit.
- Installation brackets.
- Neon indicator light.
- Detailed installation instructions.
- Ideal for use in
 - ceiling voids or risers (central void)
 - remote areas
 - washrooms with multipoint basins (toilet cores)
 - student accommodation
 - holiday homes.

Full specifications

Specification

Nominal capacities
50, 80 or 100 litre.

Rating
3kW @ 240V.

Element
Titanium immersion heater.

Outer casing
White painted steel. Stove enamelled and corrosion-resistant.

Cylinder
Duplex stainless steel.

Insulation
38mm thick CFC/HCFC-free (ODP zero) flame retardant expanded polyurethane.

Thermostat
Electromechanical capillary type, externally adjustable from 10°C to 70°C.

Safety
Factory-fitted temperature and pressure relief valve set at 90°C and 10 bar.
Pressure reducing valve at 3.5 bar.
Non return valve.
Pressure relief valve at 6 bar.
Expansion vessel.
Over-temperature capillary cut-out set at 85°C.
All units pressure tested to 15 bar.
IPX 4 rated.

Anode
Not required.

Approvals
BEAB and Kiwa approved.
Manufactured in the UK in a BS EN ISO 9001:2008 registered factory.

Installation

Fixing
Horizontally or vertically wall-mounted with brackets provided.

Plumbing
3/4" BSP male connections.

Maximum working pressure
10 bar.

Electrical
240v AC, 50/60Hz.

Guarantee

The Multipoint SS stainless steel cylinder carries a full 15 year guarantee with on-site service support against faulty manufacture or materials provided that:

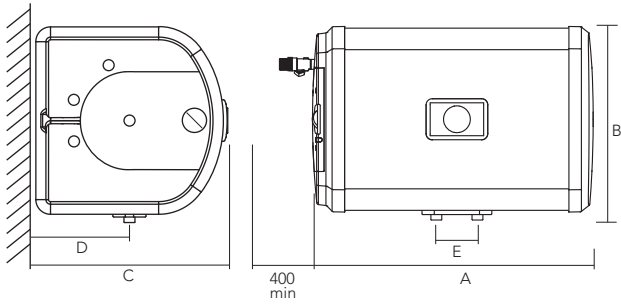
- It has been correctly installed as per the instructions contained in the instruction manual and all relevant Codes of Practice and Regulations in force at the time of installation.
- It has not been modified in any way, other than by Heatrae Sadia Heating or heateam.
- The damage is not due to scaling or frost.
- It has only been used for the storage of potable water (max 250mg/l chloride).
- It has not been tampered with or been subjected to misuse or neglect.
- Following commissioning the unit is put into service within a period of 7 days. If this is not the case it must either be drained or regularly flushed.
- Registration card has been completed by the user and returned to Heatrae Sadia within 60 days of installation together with proof of purchase.
- Has been installed in the UK.
- The guarantee is transferable.
- The guarantee does not effect your statutory rights.

All other components carry a 2 year guarantee.

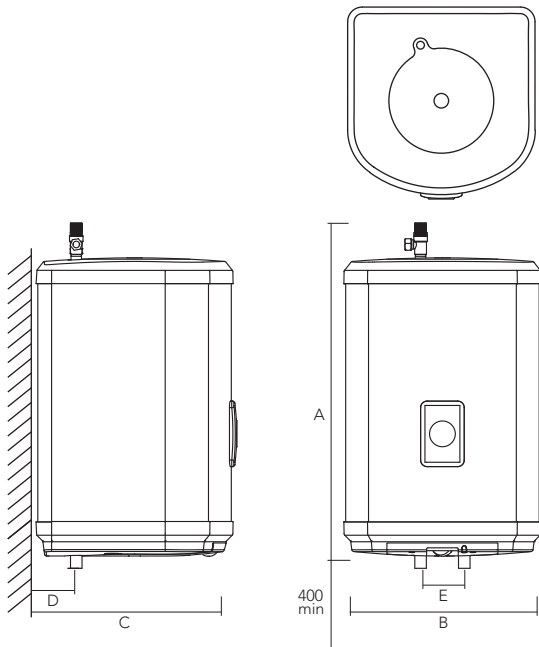


Dimensions and ordering

Dimensions – Multipoint SS horizontal



Dimensions – Multipoint SS vertical



Ordering guide

Model	Product code
Multipoint SS horizontal 50	95:050:175
Multipoint SS horizontal 80	95:050:177
Multipoint SS horizontal 100	95:050:179
Multipoint SS vertical 50	95:050:181
Multipoint SS vertical 80	95:050:183
Multipoint SS vertical 100	95:050:185

Model	A	B	C	D	E	Weight (kg)	
	(mm)	(mm)	(mm)	(mm)	(mm)	empty	full
Multipoint SS horizontal 50	685	470	475	238	100	18	68
Multipoint SS horizontal 80	943	470	475	238	100	24	104
Multipoint SS horizontal 100	1131	470	475	238	100	30	130
Multipoint SS vertical 50	765	451	475	105	100	18	68
Multipoint SS vertical 80	1023	451	475	105	100	24	104
Multipoint SS vertical 100	1211	451	475	105	100	30	130

Contact

Specification Advice Hotline

T: 01603 420220 F: 01603 420229

E: specifier@heatraesadia.com

After Sales Service

T: 0844 871 1535 F: 0844 871 1528

E: heatraesadiaservice@heateam.co.uk

Web www.heatraesadia.com

heateam

heateam is Heatrae Sadia's very own service division. With us on your side, you can be sure that your customers are in the very best hands. Totally committed to quality and safety, heateam is open 7 days a week, for 363 days a year, and offers:

- **Dedicated Trade Advice Line** – our helpful and qualified specialists are always on hand to help you with even the most complex technical query.
- **Installer Priority Call-Outs** – our 280 strong team of specifically trained expert heating engineers covers the UK, no one is better qualified to look after Heatrae Sadia's products for the duration of the guarantee.
- **Fully Stocked Vans** – a nationwide fleet of vans, fully stocked with spare parts – meaning we can repair our appliances on the first visit in 95% of call-outs.
- **Exclusive Service Plans** – heateam also offer Heatrae Sadia's customers a range of exclusive annual service plans.

Opening Times: Monday-Friday 8am-6pm, weekends and Bank Holidays* 8.30am-2pm.

*excluding Christmas Day and New Year's Day.

Simply call **0844 8711535** or visit our website at www.heateam.co.uk



Heatrae Sadia Heating Hurricane Way Norwich Norfolk NR6 6EA

Heatrae Sadia Heating may introduce modifications to their products from time to time. Consequently, the details given in this brochure are subject to alteration without notice.

95 900 916 Issue 02 © Heatrae Sadia Heating 2011

PART OF BDR THERMEA

Brochures for all of our products are available free of charge. Please call our literature hotline on 01603 420127.

MEGAFLO ECO

Megaflo eco cylinder range

DOMESTIC HEATING AND HOT WATER

Aerheat
Amptec
Electric Solar
Electromax
Electromax Solar
Immersion Heaters
Megalife HE
Megalife Solar
Multipoint Instantaneous
Showers

COMMERCIAL HOT WATER

B3M / C3M
Express
FBM
Handy
Handy Dri / Hair Drier
Hotflo
Multipoint
Multipoint SS
Streamline
UTC 99

DRINKING WATER

SuperChill
Supreme