

ATC **EcoTap** Washroom Range

Experience Unique

- Soap Dispenser
- Auto Water Tap
- High Speed Hand Drying



Wall Mounted Version

EcoTaps for a Green Future

Intelligent Energy Saving
Temperature Control Technology
for Commercial Washrooms

atcelec.co.uk



atc

ATC EcoTap

The future of Washroom Technology

Product Features

- Hand washing and Drying in one location
- Taps installed in situ within Sink or above sink
- Simple to operate – automatic operation
- Ideal for High Usage Washrooms
- More hygienic – no touch
- Intelligent Energy Saving, Temperature Control technology
 - Hand Drying temperature
- Wash and dry your hands in 40 seconds
 - Water Conservation
- Taps manufactured High Quality 304 Stainless Steel,
- Alternative tap colour options with PVD finish
- Quiet Operation
- Concealed Mechanisms for easy servicing
- Brushless Motor for long service life
- Increased Safety – no water on the floor
- Soap dispenser available with liquid or foam outlets and 1.5 or 3 ltr storage containers



ATC EcoTap range

Designed to complement modern high traffic bathrooms with a complete range of Soap Dispenser, Auto Tap and High Speed Hand Dryer.

DESCRIPTION

Product Code	ATC EcoTap
Cover Material	304 Stainless steel
Finish	Brushed
Activation	Automatic

SAFETY FEATURES

Motor Thermal Protection	102°C Auto Resetting
Heater Thermal Protection	139°C Auto Resetting
Time Protection	60s Auto shut off
Cover	304 Stainless steel
Protection	I.P. 35

ELECTRICAL HAND DRYER SPECIFICATIONS

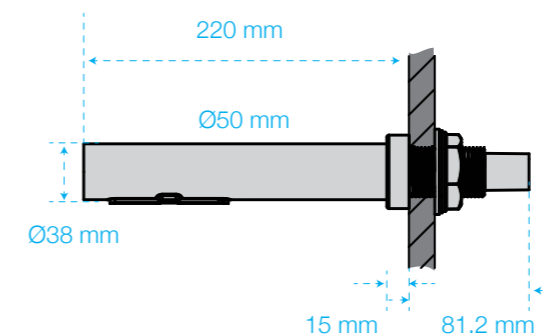
	WALL / SINK
Voltage	220 - 240Vac
Frequency (Hz)	50-60Hz
Motor speed	22000-29000RPM
Power Output	840-1000W
Motor Power	500W
Heating Power (off/min/max)	0/340-500W
Sensor Range	130mm ± 20mm (Auto Adjust)
Drying Time	12-15 Seconds
Air Flow m/s	93 -110/84-101 (SINK)
Air Volume l/s	16.4/15 (SINK)
Noise (dBA @1m)	59.2-63.8
Temperature	Intelligent control

APPROVALS

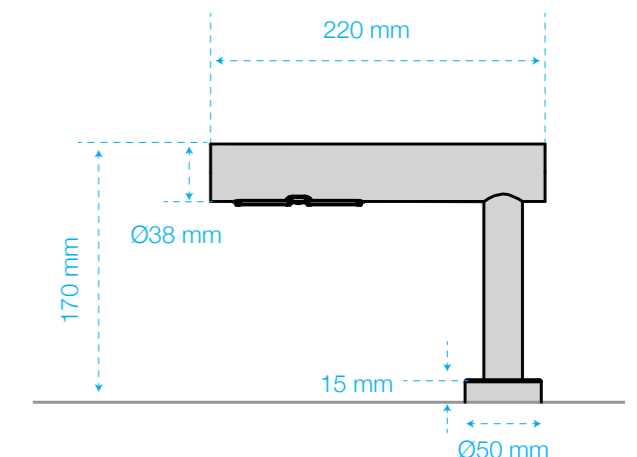


DIMENSIONS

Wall mounted



Sink mounted



Energy Efficient

Low Running Costs 500 Watts without heat 1000 Watts maximum

High Performance

Dries Hands in 12-15 Seconds

Easy to Maintain

Easy Servicing as all mechanical Components are separately Mounted in the service cavity or under sink cabinet.



ATC EcoTap Washroom Range



Locations

- Airports
- Hospitals
- Nursing Homes
- Offices
- Sports Stadia
- Motorway Stations
- Schools
- Universities
- Hotels
- Restaurants



Head Office & Showrooms:

ATC House,

Broomhill Drive,
Tallaght, Dublin 24,
Ireland, D24 EF99.

UK Tel: 0203 5649164

Fax: 353 (1) 452 0887

Email: sales@atc.ie



atc

Energy Efficient
Heating & Hand Dryers



QUALITY APPROVED
COMPANY

atcelec.co.uk