



ARISTON



PRO1 ECO

ELECTRIC STORAGE WATER HEATER

HOT WATER | HEATING | RENEWABLES

ariston.com

PRO1 ECO FEATURES AND BENEFITS



The Pro1 Eco is Ariston's electric storage water heater available in 50, 80, and 100 litre capacities.

- / WaterPlus technology for up to 16% more hot water availability*
- / Reduce energy bills by 14% with "Eco Evo" function – saving enough electricity to run an A+ rated fridge-freezer for approximately a year
- / Absolute Safety System including Anti-Overheating, Anti-Freezing and Dry Heating Self-Diagnosis functions, which protect the unit in case of energy or water failures
- / Precise electronic temperature setting via a smart intuitive interface
- / Titanshield technology and magnesium anode for optimal tank protection
- / T-MAX function to meet unexpected hot water needs
- / Magnesium anode to fight corrosion
- / Modern shape with "Ariston Wave"
- / Supplied with unvented kit



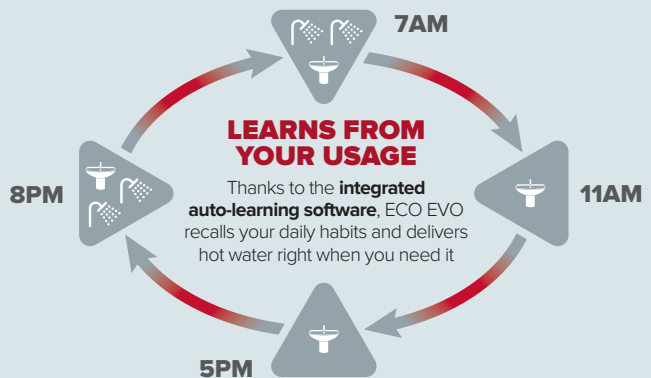
ENERGY RATING



KEY FEATURES:

ECO EVO - SMART FUNCTION

The innovative **ECO EVO** function memorises user habits to deliver hot water while saving up to 14% on energy bills. The product operates in compliance with top standards on energy efficiency within the electric water heating category.



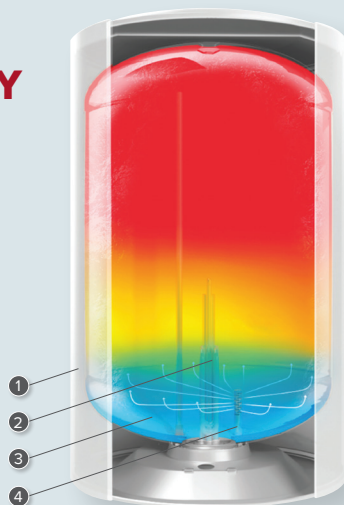
UP TO 14% ENERGY SAVINGS

WATERPLUS TECHNOLOGY

Ariston's groundbreaking WaterPlus technology keeps the incoming cold water at the bottom of the tank, reducing the mix with stored hot water.

Up to 16% more hot water available.

- 1 Insulation
- 2 Heating element
- 3 Cold water
- 4 Deflector



TITANSHIELD PROTECTION

The inner surface of the tank is enamelled with a layer of titanium, an anti-corrosion and rust-resistant material, which prevents the surface from corroding – even when in contact with warm water. Titanium's natural properties are boosted by the action of a large magnesium anode that stops the oxidation reactions on the tank's inner surface, prolonging the life of the water heater.

ANTI-LEGIONELLA

Once a month, the Pro1 Eco automatically increases the water temperature up to 65°C, in order to eliminate the risk of legionella bacteria developing. Ideal for applications such as hospitals, schools and care homes.

* Maximum estimated saving based on testing conducted at maximum operating temperature between current and new Ariston products equipped with WaterPlus Technology

PRO1 ECO ELECTRIC STORAGE WATER HEATER

TITANSHIELD TECHNOLOGY

ABSOLUTE SAFETY SYSTEM

MODERN CURVED DESIGN

ELECTRONIC CONTROL WITH INDICATIVE LEDS

HIGH QUALITY HEATING ELEMENTS

PREMIUM INSULATION MATERIAL

FUNCTION BUTTONS

SELECTION BUTTONS



HI-TECH DISPLAY PANEL

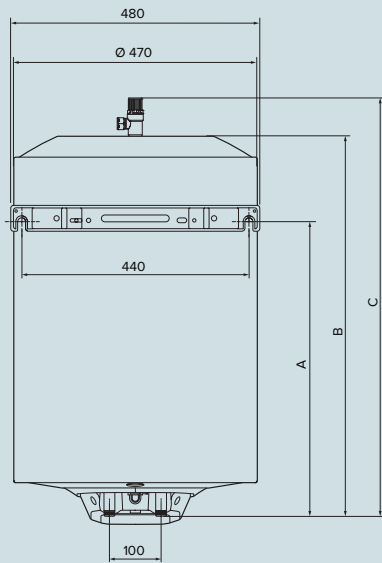


ECO EVO: Learns end user hot water requirements during first week. Temperature is then adjusted automatically between 40°C and the maximum set, to supply the quantity of hot water analysed previously.

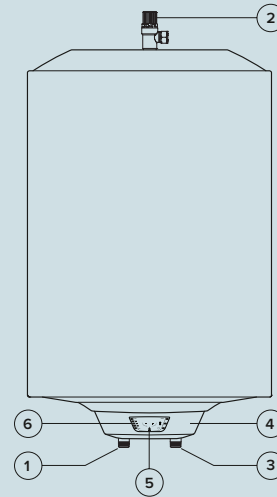
T-MAX: Boost function that raises the water temperature to 65°C when activated. Then, returns to previously set temperature automatically. This is useful when additional hot water is required.

SHOWER READY: Indicates when there is enough hot water available to have one shower.

PRODUCT DIMENSIONS



Model	A	B	C
50V	365	531	605
80V	570	736	810
100V	722	888	962



Legend

- 1 Hot water outlet (1/2 male BSP)
- 2 Temperature and pressure relief valve
- 3 Cold water inlet (1/2 male BSP)
- 4 Control cover
- 5 Regulation Keyboard
- 6 Heating LED

PRO1 ECO

Description	50	80	100
Installation	Vertical	Vertical	Vertical
Thermostat	Electronic	Electronic	Electronic
Power (kW)	3	3	3
Voltage (V)	230-240	230-240	230-240
Max Working Temperature (°C)	65	65	65
Heat-Up Time (ΔT 45°C) (mins)	60	97	128
Heat Dispersion At 65°C (kWh/24h)	0.92	1.25	1.43
V40 (l)	65	92	130
IP Protection	IPX3	IPX3	IPX3
ErP Class	B	B	B
ErP Tapping Profile	M	M	M
Heat Loss (kWh/24h)	0.917	1.253	1.434
Maximum Inlet Pressure (Rated Pressure) (bar)	12	12	12
Maximum Design Pressure (bar)	6	6	6
Set Operating Pressure Expansion Valve (bar)	6	6	6
Pre-charge Pressure Of The Expansion Vessel (bar)	3.5	3.5	3.5
Set Opening T&P Relief Valve (bar)	7	7	7
Capacity (l)	49	75	95
PRODUCT CODES (Including Unvented Kit)	3820019	3820020	3820021

COMBINING QUALITY MATERIALS AND HI-TECH DESIGN FOR A COMPLETELY NEW HOT WATER EXPERIENCE

HOT WATER | HEATING | RENEWABLES

Customer Service: customer.service.uk@aristonthermo.com | 0333 240 8777

Sales: salesoffice@aristonthermo.com | 0333 240 6666

ariston.com

[@AristonUK](https://twitter.com/AristonUK)
[/AristonUK](https://facebook.com/AristonUK)
[/AristonThermo](https://youtube.com/AristonThermo)
[/AristonUK](https://instagram.com/AristonUK)

