

Biodrier *3D SmartDry*

Hand dryer

Automatic



High Speed

Surface Mounted High Speed Hand Dryer

Operating Instructions and Parts Manual (Automatic)



Technical Specifications

Item Category	Performance Data
Operating Voltage	220 - 240Vac, 50Hz, 200 - 800 WATTS
Air Speed Output	75m/s, 85 m ³ /h
Air Output Temperature	Intelligent - based on room temperature
Motor Type	18,000 rpm, 200 Watts, BLDC brushless DC motor
Decibel Rating	70 dba @ 1 mtr
Heater Element	0-600 Watts - Intelligent Heating
Heater Thermal Protection	Auto Resetting Thermostat turns unit off at, 149°F (95°C)
Drying Time	Under 10 seconds
Circuit Operation	Infrared Automatic, self adjusting
Sensor Range	100 mm
Timing Protection	25 seconds auto shut off
Drip Proof	IPX2
Isolation	CLASS I
Net Weight	3.3 kg
Shipping Weight	15.7 kg
Unit Size	W 228 x H 278 x D 154 mm
Certificates	CE, WEEE, Greenspec
Item Code	Cover Type/Finish
BSD83B	Brushed Stainless Steel

Surface Mounted High Speed Hand Dryer

Operating Instructions and Parts Manual (Automatic)

General Safety Information

WARNING

This product is intended for installation by a qualified service person. Use AWAG No.16 solid conductor for wiring.

Failure to properly ground unit could result in electrical shock and/or death.

Disconnect power at the service breaker before installing or servicing.

NOT FOR HOUSEHOLD USE - MAY CAUSE BURNS

All units must be supplied with a 3-wire service. The ground wire must be connected with the dryers back plate.

NOTE: Do not install dryer over wash basin.

Type Y attachment

If the power supply cord is damaged, it must be replaced by the manufacturer or its service agent or a similar qualified person in order to avoid a hazard.

Means for disconnection must be incorporated in the fixed wiring in accordance with the wiring rules.

Installation

Installation must be carried out by a qualified electrician

1. Make sure power supply breaker is switched off. Installation must be carried out in accordance with the current edition of the local wiring regulations code having jurisdiction. Installation should be performed only by a qualified electrician.

NOTE: For two or more dryers, dryers should be no closer than 24 inches (610 mm) on centre.

2. Connect supply wires to terminal block where indicated and connect ground wire to baseplate with ground screw.

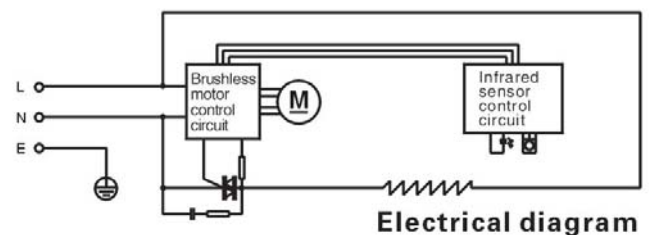
Connections:

a. Connect the live wire (coloured red or brown) to the terminal block marked "L".

b. Connect the neutral wire (coloured black or blue) to the terminal block marked "N".

c. Connect the ground wire (coloured green or green and yellow) to the green screw marked "⊕".

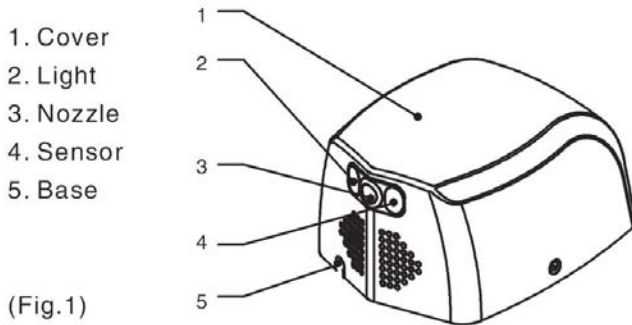
Note that the colour of live and neutral wires depends on voltage of supply service.



Surface Mounted High Speed Hand Dryer

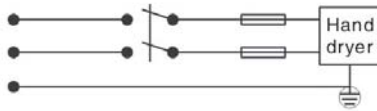
Operating Instructions and Parts Manual (Automatic)

Installation Continued



(Fig.1)

- Before connecting to the main power install a secondary switch with a contact distance of > 3 mm.
- This hand dryer must be earthed correctly.
- Do not install near water or in areas with high humidity
- Ensure power is cut off before installation



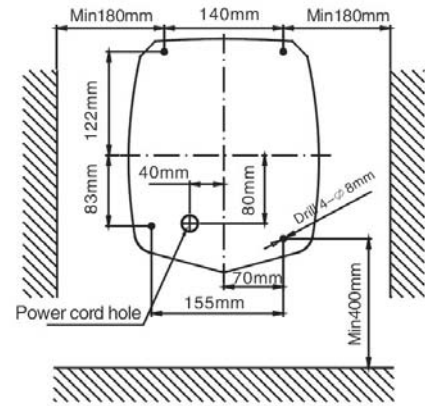
1. Use an Allen key to remove the screws on both sides of the hand dryer (fig. 2) and remove the cover. Use the mounting height guide and the installation template to mark and drill 4 Ø 8 mm holes at a depth of 35 mm.



6. Screw

(Fig.2)

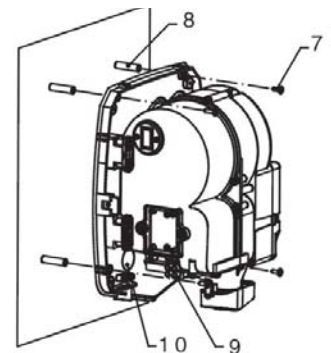
2. Fix the hand dryer backplane to the wall using appropriate fixings for the wall type.



Obstacle (Fig. 3)

3. Replace the cover and attach using the original screws.
4. To install with a concealed wire knock out the pre-cut hole in the backplate, remove the power cord, thread through the hole and connect to the corresponding terminals.

7. Screw
8. Plug
9. Wire terminal
10. Wire inlet



(Fig. 4)

Surface Mounted High Speed Hand Dryer

Operating Instructions and Parts Manual (Automatic)

Recommended Mounting Heights

From floor to bottom of dryer.

Men's	Ladies	Children, ages 11-17	Children, ages 3-10	Disabled
43"	41"	39"	33"	35"
109 cm	104 cm	99 cm	84 cm	89 cm

Intelligent Heating

The 3D Smart Dry automatically adjusts the heater depending on the ambient temperature of the air surrounding the dryer.

This means that in cold temperatures you have a comfortable hand drying experience and in the warmer weather you can reduce your energy consumption and save money.

Room Temp	Heater Power	Total Power
< 10°C	600 w	800 w
10 - 15°C	450 w	650 w
15 - 20°C	300 w	500 w
20 - 25°C	150 w	350 w
> 25°C	0 w	200 w

Cleaning and Maintenance

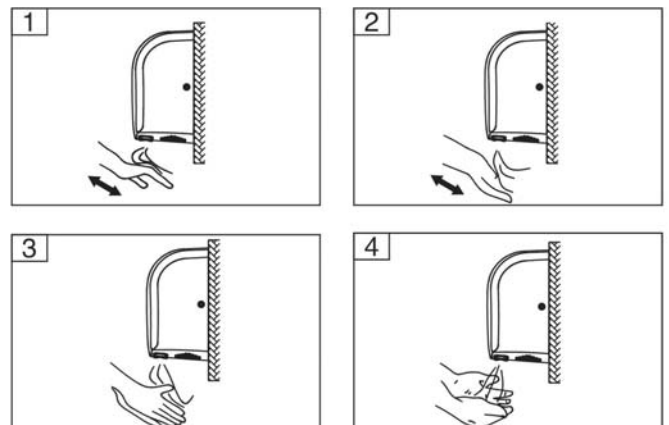
All surfaces of the unit should be cleaned daily with a soft cloth dampened with warm, soapy water. Polish with a soft dry cloth.

DO NOT use caustic solutions or abrasive cleaning materials on the drier.



Operation

- No touch operation.
- Shake excess water from hands.
- Place hands under the outlet, within 10 cm, to start operation.
- Move hands back and forth through the air jets
- Stops automatically after hands are removed, or after 60 seconds.



Surface Mounted High Speed Hand Dryer

Operating Instructions and Parts Manual (Automatic)

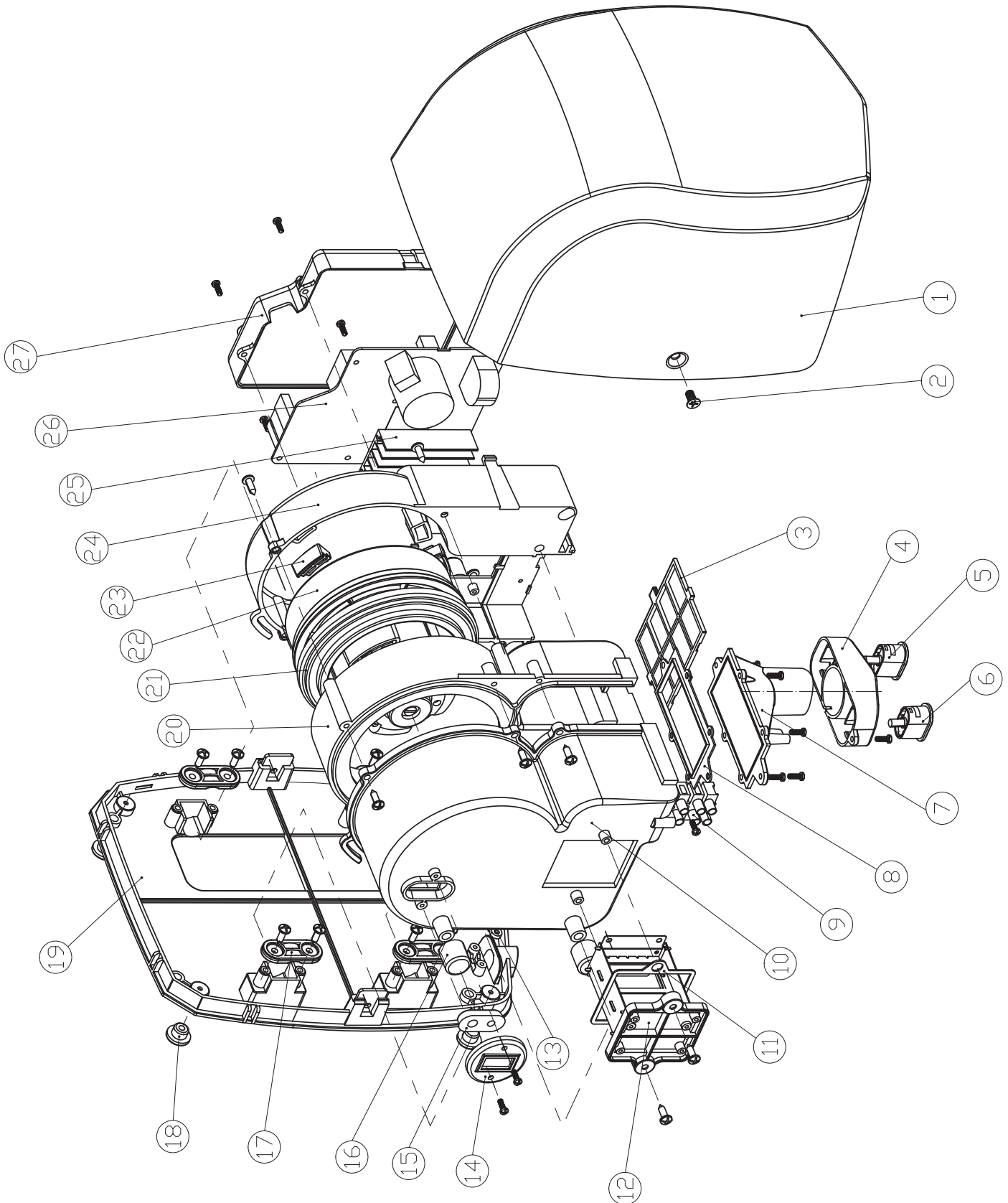
Parts List

Key	Description	Part No.
1	Cover	HDS-BSD03-3159-1
2	Screws	HDS-BSD03-3159-2
3	Filter cover	HDS-BSD03-3159-3
4	Sensor house	HDS-BSD03-3159-4
5	Sensor	HDS-BSD03-3159-5
6	LED	HDS-BSD03-3159-6
7	Air outlet baffle	HDS-BSD03-3159-7
8	Air outlet seal	HDS-BSD03-3159-8
9	Terminal block	HDS-BSD03-3159-9
10	Blower housing	HDS-BSD03-3159-10
11	Heating element seal	HDS-BSD03-3159-11
12	Heating element	HDS-BSD03-3159-12
13	Power cable clamp	HDS-BSD03-3159-13
14	Cable clamp	HDS-BSD03-3159-14
15	Cable seal	HDS-BSD03-3159-15
16	Shock absorber rubber	HDS-BSD03-3159-16
17	Fitting brush	HDS-BSD03-3159-17
18	Washer	HDS-BSD03-3159-18
19	Base plate	HDS-BSD03-3159-19
20	Motor fixing plate	HDS-BSD03-3159-20
21	Shock absorber ring	HDS-BSD03-3159-21
22	Motor	HDS-BSD03-3159-22
23	Compressing block	HDS-BSD03-3159-23
24	Air flue	HDS-BSD03-3159-24
25	Heat dissipation plate	HDS-BSD03-3159-25
26	Control PCB	HDS-BSD03-3159-26
27	PCB cover	HDS-BSD03-3159-27

Surface Mounted High Speed Hand Dryer

Operating Instructions and Parts Manual (Automatic)

Diagram





Biodrier. com



FW3

FW3 LTD, Biodrier
Unit 3, Woodlands Business Park, Burlescombe, Devon, EX16 7LL
tel: +44(0)1823 672 970 • email: sales@biodrier.com

