

Biodrier G-Wave

Hand dryer

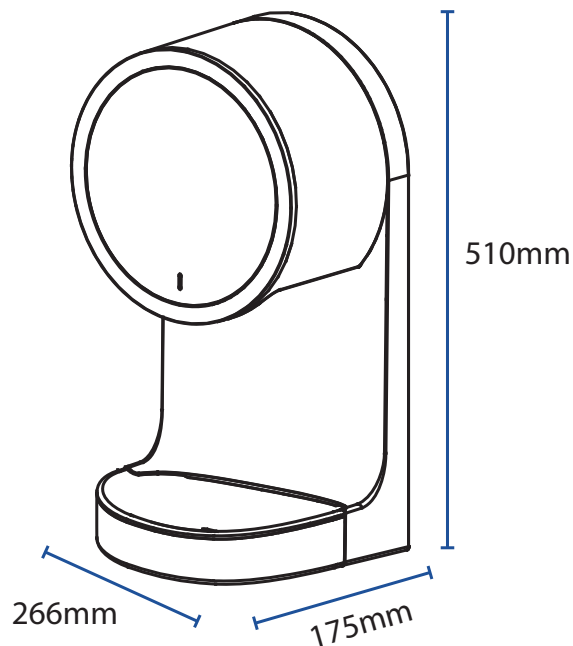
Automatic



High Speed

Surface Mounted High Speed Hand Dryer

Operating Instructions and Parts Manual



Technical Specifications

Item Category	Performance Data
Operating Voltage	220 - 240Vac, 50-60 Hz, 700 - 1200 WATTS
Warm Air Speed Output	150 m/s @ 1200 WATTS
Display	LED information and alerts
Motor Type	35,000 rpm, AC motor, 2 speed adjustable
Motor Thermal Protection	Auto Resetting Thermostat turns unit off, 105°C
Noise Level	58 - 80 dba @ 1 metre
Water Tank	LED indicator when tank is full
Filter Sensor	LED indicator when filter needs to be replaced
Air Purification	Enzyme HEPA Filter H13 - simple cartridge replacement system
Air Freshener	Organic moisturiser, sanitizer & air freshener with ocean breeze fragrance
Water Tank & Filter Security	Sliding locking system, lock both with one touch
Drying Time	Under 10 seconds
Circuit Operation	Infrared Automatic, self adjusting
Timing Protection	20 seconds auto shut off
Drip Proof	IP33
Isolation	CLASS II
Certificates	CE, GS, ETL, WEEE
Net Weight	6 kg
Shipping Weight	7 kg
Unit Size	266mm W x 510mm H x 175mm D
Item Code	Cover Type/Finish
HD-BGW07	Fire proof ABS, 94V-O, PC, PMMA, UV Coated - White

Surface Mounted High Speed Hand Dryer

Operating Instructions and Parts Manual

General Safety Information

⚠ WARNING

This product is intended for installation by a qualified service person. Use AWAG No.16 solid conductor for wiring.

Failure to properly ground unit could result in electrical shock and/or death.

Disconnect power at the service breaker before installing or servicing.

NOT FOR HOUSEHOLD USE - MAY CAUSE BURNS

All units must be supplied with a 3-wire service. The ground wire must be connected with the dryers back plate.

To reduce the risk of fire, electric shock and injury please observe the following.

- Always use genuine spare parts.
- Do not use for purposes other than drying hands.
- Do not place foreign objects in the unit.
- Do not cover the unit.
- Do not use in locations where salt water damage may occur or where corrosives are present.
- Do not operate in an explosive atmosphere.
- Do not use in areas with high humidity and avoid condensation on the product.
- Children should be supervised when using the appliance.
- For indoor use only, not suitable for use outside.
- Keep away from excessive water.
- Unplug appliance before cleaning or maintaining the appliance.

This appliance must not be disposed together with the domestic waste. This appliance has to be disposed at an authorised place for recycling of electrical devices.

NOTE: Do not install dryer over wash basin.

If the power supply cord is damaged, it must be replaced by the manufacturer or its service agent or a similar qualified person in order to avoid a hazard.

Means for disconnection must be incorporated in the fixed wiring in accordance with the wiring rules.

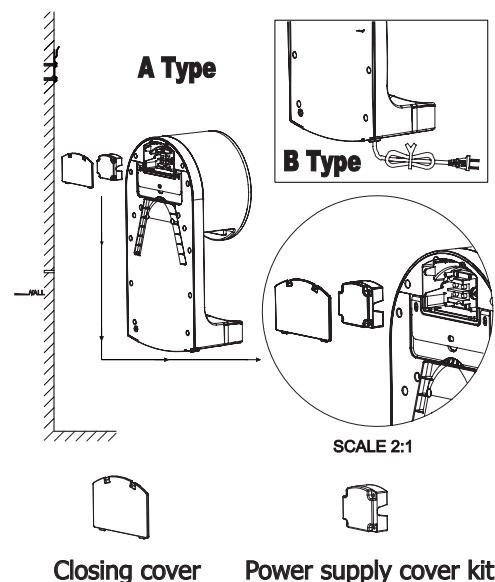
Installation

Installation must be carried out only by a qualified electrician

A Type: Power cable equipped

1. Take off and get rid of the closing cover.
2. Separate the power supply cover kit.
3. Secure the line and connect the power cable into the proper terminal block locations.
4. Verify connections are correct before proceeding.
5. Replace the power supply cover kit.
6. Minimum wire cross section: 2 x 1mm²

B Type: Power cable equipped



Surface Mounted High Speed Hand Dryer

Operating Instructions and Parts Manual

Recommended Mounting Heights

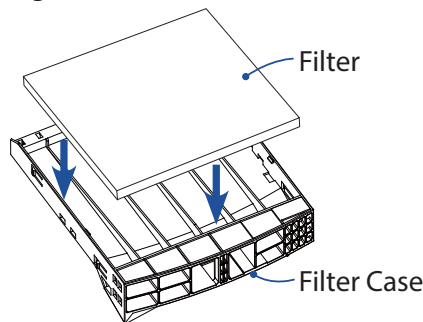
From floor to bottom of dryer.

Men's	Ladies	Children, ages 11-17	Children, ages 3-10	Disabled
33"	31"	29"	23.5"	25"
85 cm	80 cm	75 cm	60 cm	65 cm

Consumables

Biodrier Anti Bacterial HEPA Filter

The Anti Bacterial Filter is fitted to ensure dust and airborne bacteria is restricted from entering the internal components and airflow of the dryer. The filter should be replaced after 50,000 uses. This will be indicated by a flashing red light on the front of the unit.



Product	Order Code
Antibacterial HEPA filter	HDS-GW-HEPA-FILTER
Moisturising Gel	HDC-G-Wave GELS

Biodrier Gels

Biodrier Gels are manufactured exclusively for Biodrier and preforms 3 jobs in one:

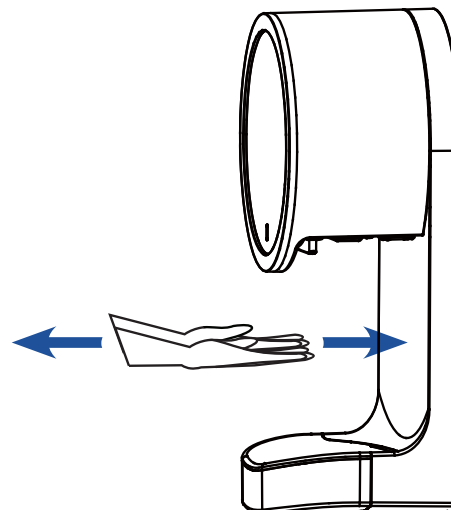
1. Moisturise the hands.
2. Sanitise the product internally and the users hands.
3. Fragrances the surrounding washroom area whilst in use.

The Gels are manufactured from natural sources and are chemical free.



Operation

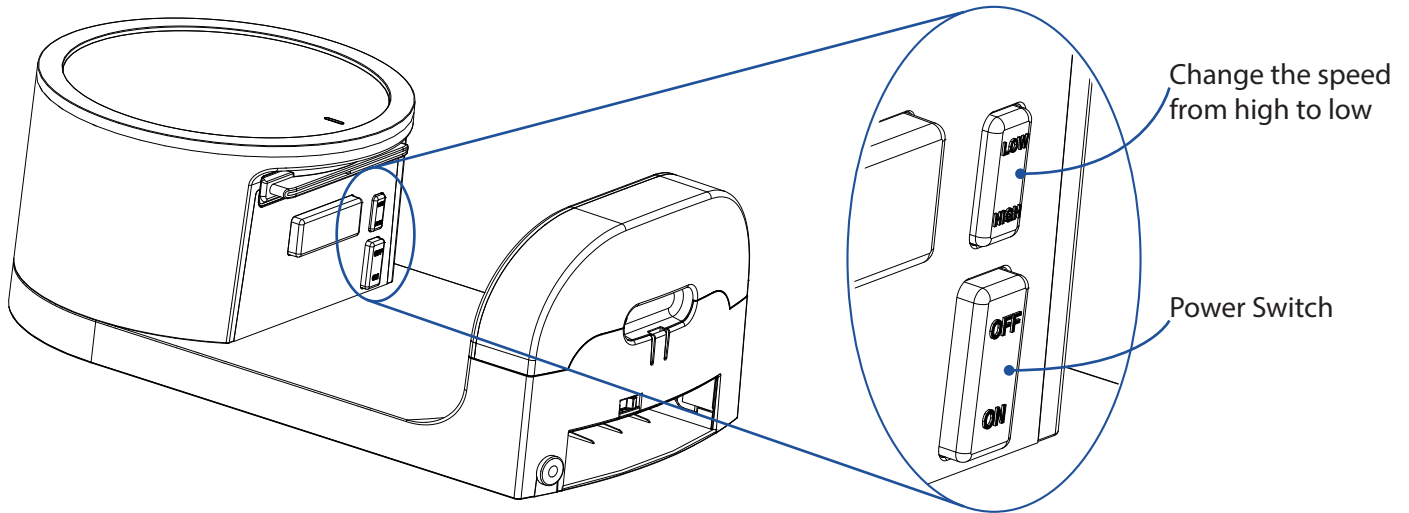
- No touch operation.
- Shake excess water from hands.
- Place hands under the outlet to start operation.
- Slowly move hands back and forth through the air jet for about 10 seconds.
- Stops automatically after hands are removed.



Surface Mounted High Speed Hand Dryer

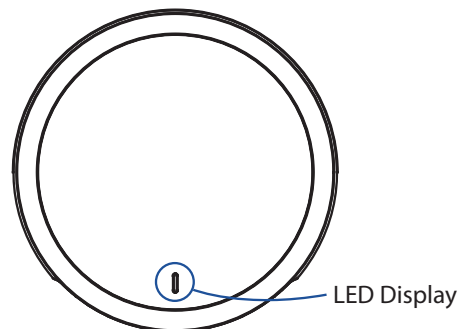
Operating Instructions and Parts Manual

Power Settings



LED Display

- **Green light on:** Standby, dryer ready for use
- **Changing light colours:** Operating
- **Flashing blue light:** Water tank full alert
- **Flashing red light:** Filter change alert
When a new filter has been installed correctly the LED light will flash twice after five seconds. If the light does not flash then the filter needs to be re installed correctly.
- **Red light and blue light flash alternately:** Water tank full and change filter alert



Surface Mounted High Speed Hand Dryer

Operating Instructions and Parts Manual

General Maintenance

All surfaces of the unit should be cleaned daily with a soft cloth dampened with warm, soapy water. Polish with a soft dry cloth.

Regularly check the LED display to see the status of the filter condition and water tank level.

DO NOT use caustic solutions or abrasive cleaning materials on the drier.



Water Tank Maintenance

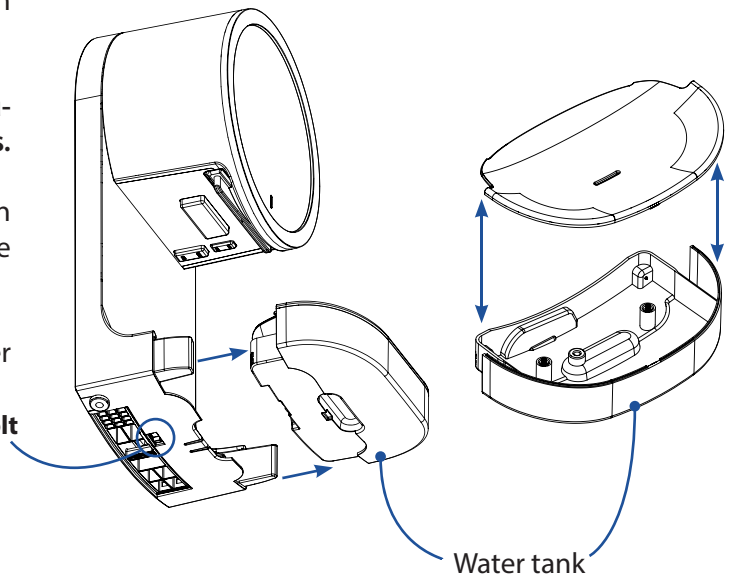
If the LED light on the front of the unit flashes blue then the water tank needs to be emptied.

The water tank should be cleaned and emptied regularly to prevent bacteria growth and unwanted smells.

If the water tank is not emptied promptly the water can overflow and may interfere with the machine and cause a slipping hazard on the floor.

Always use the unit with a genuine filter and the water tank in place.

Anti-theft bolt
Lock: Right
Unlock: Left



Surface Mounted High Speed Hand Dryer

Operating Instructions and Parts Manual

Changing The Filter and Gel Block

HEPA Filter

If the LED light on the front of the unit flashes red then the HEPA filter needs to be changed. The HEPA filters last for 50,000 uses.

To change the filter slide the anti theft lock to left and remove the filter case from the underside of the unit. Remove the old HEPA filter from the case and replace with a new one.

When a new filter has been correctly installed the LED light will flash twice after five seconds. If the light does not flash then the filter needs to be re-installed correctly.

Warning – if the filter is not replaced in time, it may interrupt air flow and overheat the motor. In this case, the warranty will be invalidated.

The filter must be replaced every 3-6 months to avoid invalidating the warranty period.

Always use the unit with a genuine filter and the water tank in place.

Do not attempt to wash and re-use the HEPA filter. The filter works for 50,000 uses, after this it should be disposed of and replaced by another filter.

Do not install the filter cartridge if the filter is wet or damp, it must be perfectly dry. If the cartridge is installed wet it can cause serious motor damage and the warranty will be invalidated.

Gel Blocks

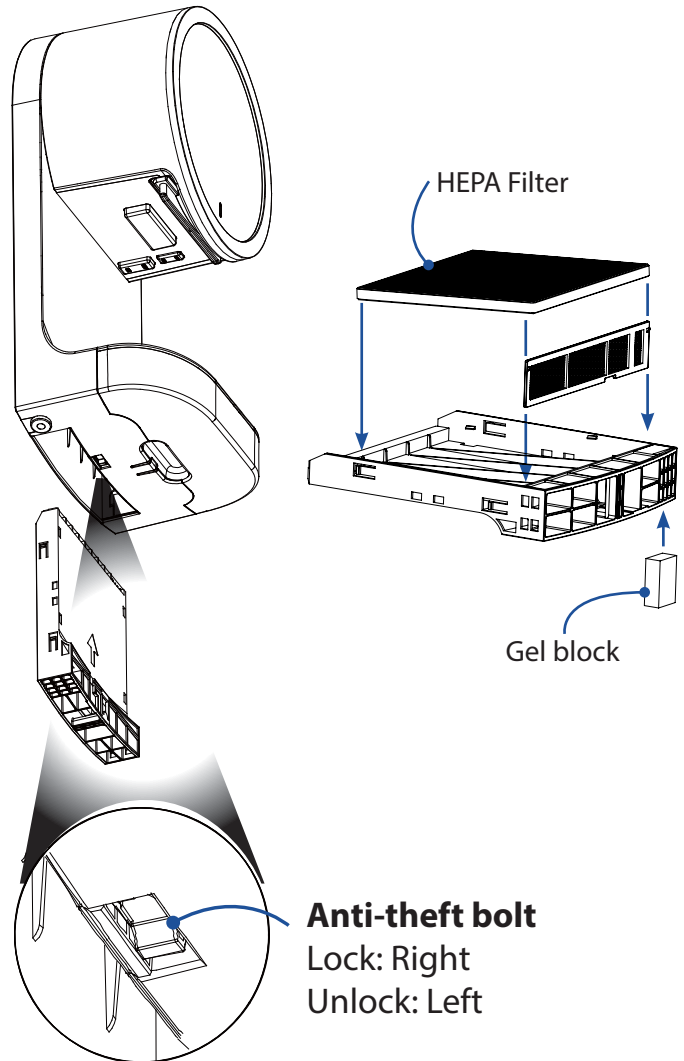
The gel block is situated in the underside of the filter case. The gel block should be replaced every month, each pack contains 12 blocks.

To order Gel Blocks and HEPA Filters please contact us:

call: 01404 814292

email: sales@biodrier.com

or visit: www.dripdropdry.com

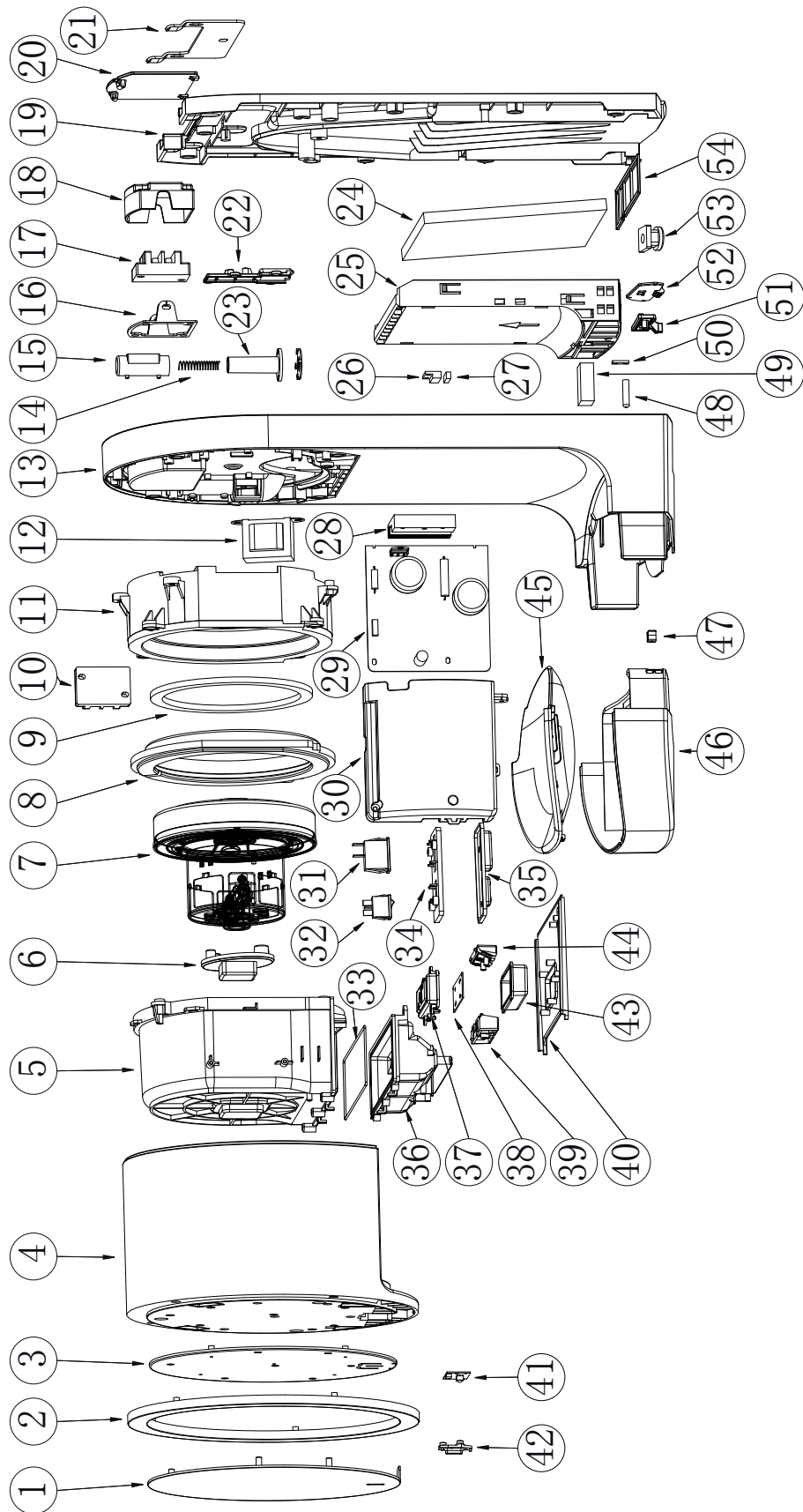


Product	Order Code
Antibacterial HEPA filter	HDS-GW-HEPA-FILTER
Moisturising Gel	HDC-G-Wave GELS

Surface Mounted High Speed Hand Dryer

Operating Instructions and Parts Manual (Automatic)

Diagram



Surface Mounted High Speed Hand Dryer

Operating Instructions and Parts Manual (Automatic)

Parts List

Key	Description
1	Front panel
2	Front decorating ring
3	Front panel bracket
4	Front cover
5	Motor upper cover
6	Rubber mounting grommet
7	Motor
8	Airproof sheath
9	Motor cushion ring
10	Connection
11	Cover motor lower
12	Transformer
13	Main cover
14	Spring
15	Air valve brush
16	Power cord cover airproof ring
17	Connection
18	Power cord cover
19	Back panel
20	Power cord closing cover
21	Wall bracket
22	Air valve cover
23	Valve inner
24	Filter sponge
25	Filter bracket
26	Switch A
27	Switch B
28	Heat sink

Key	Description
29	Main board
30	PCB cover
31	Power switch
32	Speed control switch
33	Silica gel
34	Switch holder
35	Switch waterproof cover
36	Cover
37	Sensor upper cover
38	Sensor board
39	Sensor holder A
40	Bottom cover
41	Display panel
42	LED cover
43	Sensor lower cover
44	Sensor holder B
45	Water tank cover
46	Water tank
47	Connector panel
48	Pole
49	Air freshener
50	Pole support sheet
51	Theft panel
52	Theft panel cover
53	Power cord protection cover
54	Screen filter

Surface Mounted High Speed Hand Dryer

Operating Instructions and Parts Manual (Automatic)

Important Safety Instructions

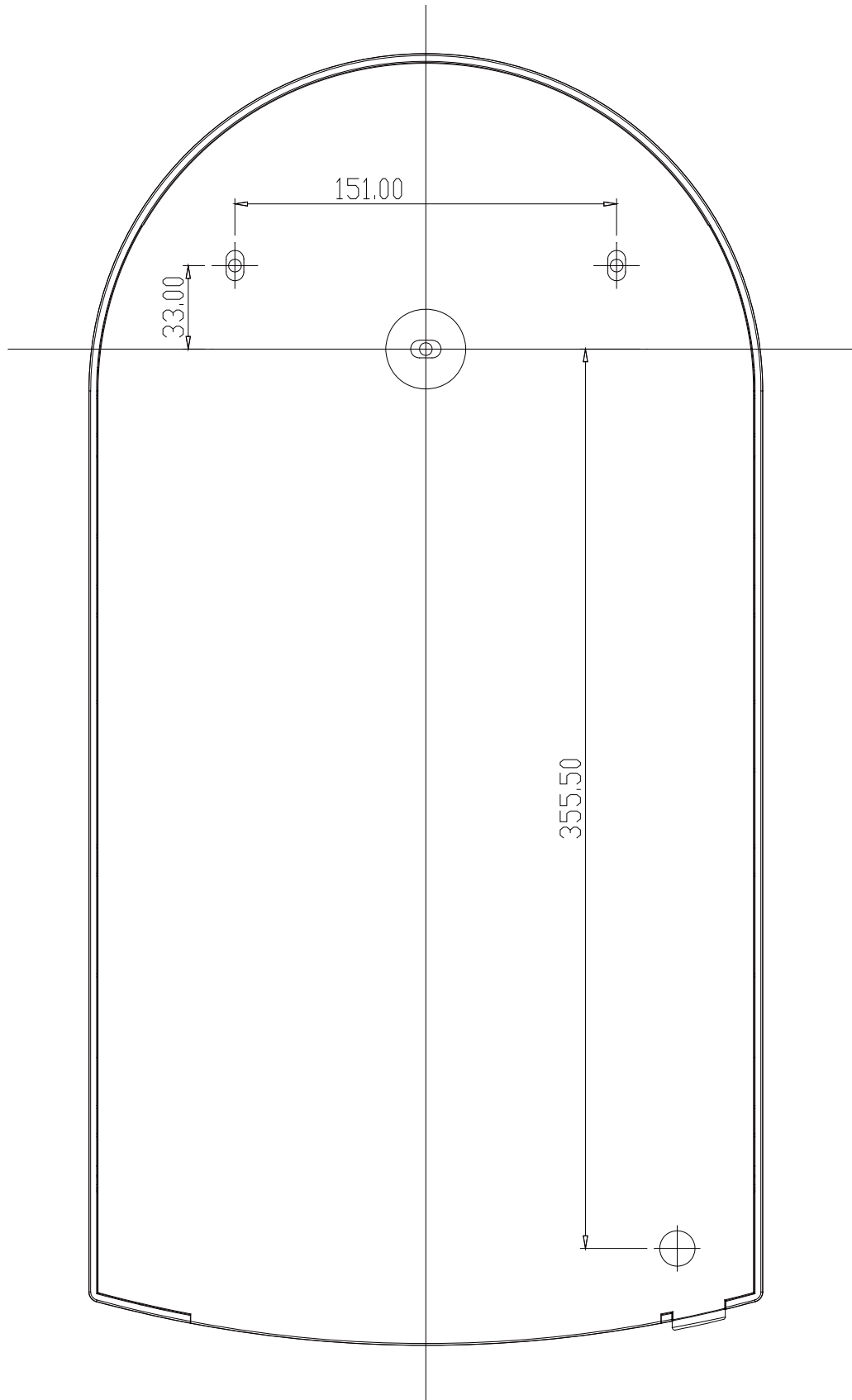
Warning – to reduce the risk of fire, electric shock or injury to persons please observe the following:

- Use this unit only in the manner intended by the manufacturer. The manufacturer is not responsible for damages caused by misuse or defective installation.
- The instructions contained within the installation template enclosed must be followed carefully when installing the unit. Failure to accurately follow the instructions may result in the incorrect operation of this unit, damage to property and/or personal injury.
- Installation work and electrical wiring must be done by qualified personnel in accordance with all applicable codes and standards, including fire related construction.
- When cutting or drilling into a wall or ceiling, do not damage electrical wiring and other hidden utilities.
- This unit must be powered by a dedicated circuit breaker with the appropriate rating. Circuit cable must fit current consumption for this unit.
- This unit has been designed for indoor use only, protected from water, sun and extreme temperatures. Do not use outdoors or close to moisture and heat generators.
- This unit can only be revised, maintained, repaired and removed by qualified personnel. If the unit stops and works strangely, contact your regional dealer or contractor.
- This appliance can be used by children over 8 years and above and persons with reduced physical, sensory or mental capabilities or lack of experience and knowledge if they have been given supervision and/or instruction concerning use of the appliance in a safe way and understand the hazards involved.
- Children should not play with the appliance.
- Cleaning and maintenance should be carried out by a competent adult.
- If the supply cord is damaged, it must be replaced by the manufacturer, its service agent or similarly qualified personnel in order to avoid hazard.

Surface Mounted High Speed Hand Dryer

Operating Instructions and Parts Manual (Automatic)

Installation Template





Biodrier. com



FW3 LTD, Biodrier
Unit 3, Woodlands Business Park, Burlescombe, Devon, EX16 7LL
tel: +44(0)1823 672 970 • email: sales@biodrier.com

