

**ECO  
FRIENDLY**



**BLUEDRY**



**BLUEDRY USER MANUAL**  
Model HD-BD88



# 1. TECHNICAL SPECIFICATIONS



Item Category	Performance Data
Operating Voltage	220 - 240Vac, 50Hz, 880 WATTS
Warm Air Speed Output	103 m/s
Noise Level	78dBA @ 1 meter
Air Output Temperature	77°F (25°C) - Ambient Temperature 68°F (20°C)
Motor Type	650 Watts, 23,000 rpm, Brush Type, Dual Ball Bearings
Motor Thermal Protection	Auto Resetting Thermostat turns unit off, 240V at 221°F (105°C) - EURO Spec
Heater Element	230W
Heater Thermal Protection	Auto Resetting Thermostat turns unit off at, 149°F (65°C)
Drying Time	Less than 15 seconds
Circuit Operation	Infrared Automatic, self adjusting
Sensor Range	100 mm
Timing Protection	60 seconds auto shut off
Drip Proof	IP22
Isolation	CLASS 11 double insulated
Net Weight	4.5 kg
Shipping Weight	5 kg
Unit Size	255mm W x 525mm H x 172mm D
Finish	ABS Silver - HD-BD88S ABS White - HD-BD88W

## 2. GENERAL SAFETY INFORMATION

### **WARNING**

Failure to properly ground unit could result in electrical shock and/or death.

This product is intended for installation by a qualified service person. Use AWAG No.16 solid conductor for wiring.

Disconnect power at the service breaker before installing or servicing.

**NOT FOR HOUSEHOLD USE - MAY CAUSE BURNS**

NOTE: Do not install dryer over wash basin.

Type Y attachment

If the power supply cord is damaged, it must be replaced by the manufacturer or its service agent or a similar qualified person in order to avoid a hazard.

Means for disconnection must be incorporated in the fixed wiring in accordance with the wiring rules.

## 3. RECOMMENDED MOUNTING HEIGHTS

From floor to bottom of air outlet.

Men's	Ladies	Children, ages 11-17	Children, ages 3-10	Disabled
43"	41"	39"	33"	35"
109 cm	104 cm	99 cm	84 cm	89 cm

## 4. INSTALLATION

Installation must be carried out by a qualified electrician

1. Make sure power supply breaker is switched off. Installation must be carried out in accordance with the current edition of the local wiring regulations code having jurisdiction. Installation should be performed only by a qualified electrician.

2. Place template against wall at desired height (see mounting height recommendations) and mark locations of 4 mounting holes and wire service entry at knockout (KO) location.

NOTE: Two or more dryers should be no closer than 24 inches (610 mm) on centre.

3. Remove and retain 2 cover screws and cover.

4. Connect supply wires to terminal block where indicated and connect ground wire to baseplate with ground screw.

### Connections:

a. Connect the live wire (coloured red or brown) to the terminal block marked "L".

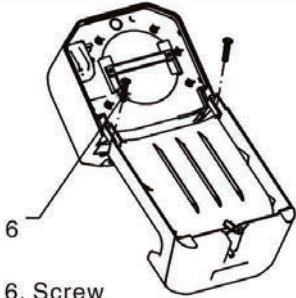
b. Connect the neutral wire (coloured black or blue) to the terminal block marked "N".

Note that the colour of live and neutral wires depends on voltage of supply service.

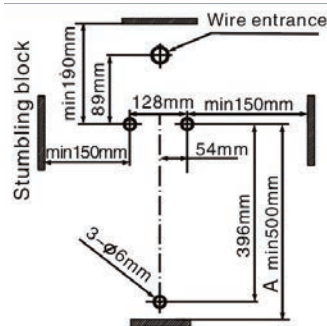
5. Replace cover. Do not over-tighten screws.

## 5. INSTALLATION CONT.

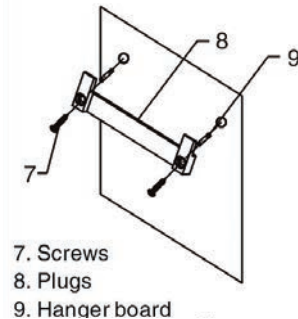
1. Fix the water tank to the hand drier with the screws attached.



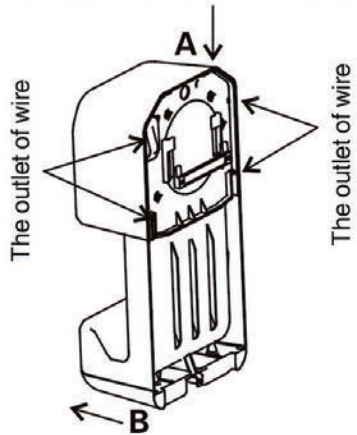
2. Drill three holes of 6mm diameter.



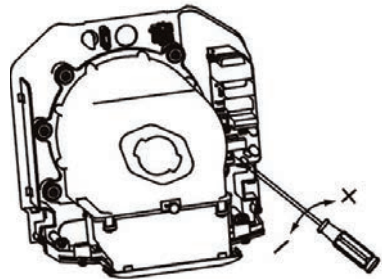
3. Fix the hanging board to two holes which are at the top by using the plugs and screws.



4. Make a breach on the cover according to the position of the power cord coming out before pulling out the power cord. Follow arrow A, hang the drier on the hanger board. Follow the arrow B, pull out the water tank and fix the hole at the bottom with the screws attached. Put back the water tank.



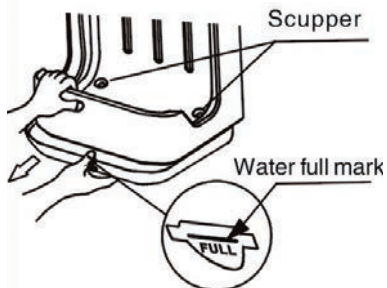
5. In order to meet different installation environments the induction sensibility is set at the most sensitive point. If this unit over runs or does not work after installing, please adjust



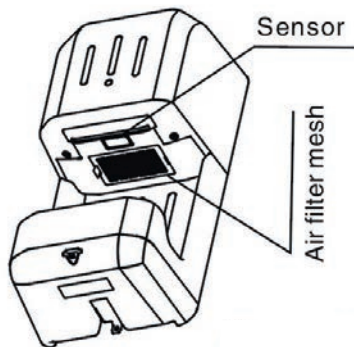
## 6. CLEANING & MAINTENANCE

Check the water tank 1-2 times a week and empty before it reaches the full mark.

DO NOT use caustic solutions or abrasive cleaning materials on the drier.

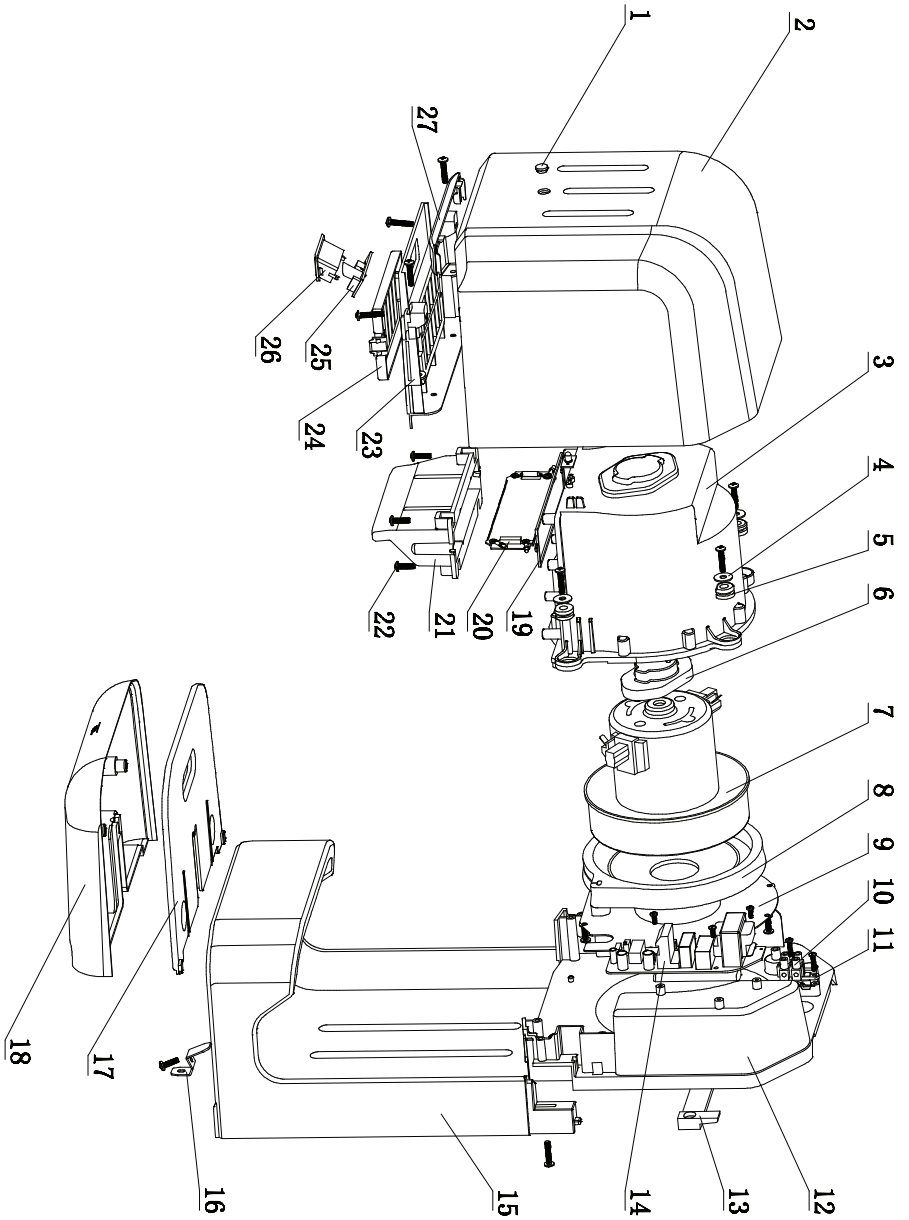


Take out the air filter mesh from this appliance, clean it once a week and refix.



All surfaces of the unit should be cleaned daily with a soft cloth dampened with warm, soapy water. Polish with a soft dry cloth.

# 7. DIAGRAM



## 8. PARTS LIST

1	Power indicator light
2	Front cover
3	Motor housing
4	Rubber washer
5	Shock absorber
6	Motor rubber
7	Motor and fan module
8	Blower housing base plate
9	Blower housing cover
10	Terminal block
11	Cable clamp
12	Base plate
13	Wall fixing bracket
14	Circuit board module

15	Water tank
16	Wall fix bracket
17	Water tank cover
18	Water tank
19	Air outlet gasket
20	Heating element
21	Air outlet
22	Fixing screw
23	Bottom plate
24	Filter
25	Sensor PCB module
26	Sensor screen
27	Front cover flange



**BLUEDRY**