

INSTRUCTION REF: IN120
ISSUE No. 3
DATE 17.08.15
Page 1 of 26

INSTRUCTIONS

LAMP & HEATED BASE UNITS

MODELS:

C2LU / C3LU / C4LU
CCBM / CCSU2
3021 / 3022

SAFETY INSTRUCTIONS
TECHNICAL DATA
INSTALLATION INSTRUCTIONS
OPERATION INSTRUCTIONS
MAINTENANCE INSTRUCTIONS
EXPLODED VIEW / PARTS LIST
FAULT DIAGNOSTICS
WIRING DIAGRAM
WARRANTY INFORMATION
DISPOSAL INFORMATION

Customer Information

MODEL NUMBER: _____
SERIAL NUMBER: _____
PURCHASE DATE: _____
DISTRIBUTOR: _____

INSTRUCTION REF: IN120
ISSUE No. 3
DATE 17.08.15
Page 2 of 26

SAFETY INSTRUCTIONS

IMPORTANT: PLEASE READ INSTRUCTIONS FULLY BEFORE USE

These appliances have been designed to keep food hot prior to serving and therefore during its use parts of the appliance will become very hot. All personnel must be given sufficient supervision and training in the safe use of this appliance.

ALL APPLIANCES OTHER THAN THOSE FITTED WITH A SEALED MOULDED PLUG MUST BE FITTED BY A QUALIFIED ELECTRICIAN, IN ACCORDANCE WITH CURRENT REGULATIONS.

The unit should be installed in compliance with the INSTALLATION INSTRUCTIONS and the NATIONAL REGULATIONS in force at the time. Particular attention should be paid to the Health and Safety at Work Act.

To prevent shocks, all appliances whether gas or electric, must be earthed.

To avoid scratching the highly polished exterior surface of this equipment whilst in transit, the protective film on the exterior surfaces has NOT been removed.

It is IMPORTANT that this protective film is peeled off before the equipment is used.

ENSURE THE APPLIANCE IS ISOLATED FROM THE POWER SUPPLY BEFORE INSTALLING, CLEANING OR MAINTAINING THE APPLIANCE

These products have been designed, constructed and marketed in compliance with safety requirements of :

EEC Directive “Low voltage” 73/23;
EEC Directive 93/68.

This product is suitable for contact with foodstuffs, and complies with **EEC Directive 89/109.**

The product(s) stated above are designed and built to comply with the following standards:
BS EN 60335-1

INSTRUCTION REF: IN120
 ISSUE No. 3
 DATE 17.08.15
 Page 3 of 26

TECHNICAL DATA

Lamp Units

	C2LU	C3LU	C4LU
Nominal Voltage	240v 50Hz ~ AC		
Nominal Current (Amps)	4.1a	5.4a	8.3a
Nominal Wattage (Watts)	1000w	1300w	2000w
External Dimensions (W x D x H mm)	795x 450 x 725	1095 x 450 x 725	1425 x 450 x 725
Weight: (kg)	14	19	28

Carvey Units

	CCBM	CCSU2
Nominal Voltage	240 v 50Hz ~ AC	
Nominal Current (Amps)	4a	5.5a
Nominal Wattage (Watts)	850w	1300w
External Dimensions (W x D x H mm)	660 x 330 x 850	970 x 441 x 850
Weight: (kg)	14	24

Heated Base Units

	3021	3022
Nominal Voltage	240 v 50Hz ~ AC	
Nominal Current (Amps)	2a	3.5a
Nominal Wattage (Watts)	400w	800w
External Dimensions (W x D x H mm)	675 x 500 x 85	975 x 500 x 85
Weight: (kg)	10	12

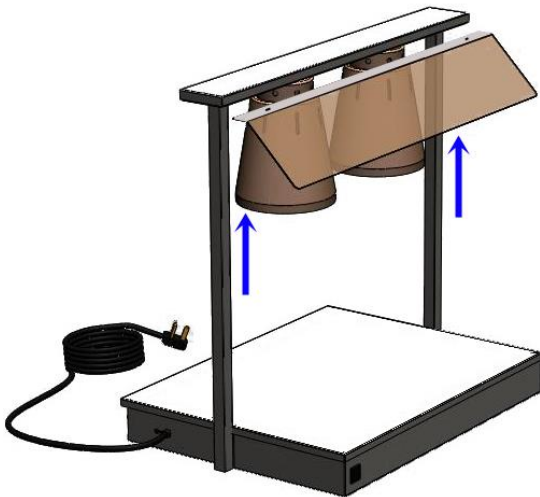
INSTRUCTION REF: IN120
ISSUE No. 3
DATE 17.08.15
Page 4 of 26

INSTALLATION INSTRUCTIONS

ELECTRICAL INSTALLATION

ALL APPLIANCES OTHER THAN THOSE FITTED WITH A SEALED MOULDED PLUG MUST BE FITTED BY A QUALIFIED ELECTRICIAN, IN ACCORDANCE WITH CURRENT REGULATIONS.

Instructions To Mount Sneeze Guard (C2LU / C3LU / C4LU / CCSU2)



To locate the sneeze guard, align the holes in the sneeze guard with the holes in the underside of the gantry.

The sneeze guard may be fitted on either side of the machine. Once the holes are aligned tighten up using the screws and washers provided.

The above applies for machines listed below.

INSTRUCTION REF: IN120
ISSUE No. 3
DATE 17.08.15
Page 5 of 26

Instruction To Fit Heated Lamps
(C2LU / C3LU / C4LU / CCBM /CCSU2)

Fit lamps into lamp holders by screwing them in to the lamp holders

Operation

1. Switch on power supply, the red lamp will indicate power is ON
2. Turn the temperature dial to the required setting (1-2½ can be used for simmering and 3 for maximum continuous heat) the green lamp will show indicating power to the element and will extinguish when the desired temperature is reached.

This procedure will be repeated automatically as the thermostat maintains a constant temperature.

Use for serving from cook pots (except in the case of the carvery unit). Wipe down regularly after switching off from the mains.

INSTRUCTION REF: IN120
ISSUE No. 3
DATE 17.08.15
Page 6 of 26

CLEANING AND MAINTENANCE

ENSURE THE APPLIANCE IS ISOLATED FROM THE POWER SUPPLY BEFORE INSTALLING, CLEANING OR MAINTAINING THE APPLIANCE

Ensure that the appliance has cooled sufficiently.

Cleaning should be carried every day. Clean the external surfaces of the appliance with a damp cloth. Avoid using abrasive materials.

CAUTION: Never clean the appliance with water jets.

Appliance should be annually P.A.T (Portable Appliance Testing) tested for continued electrical safety.

MAINTENANCE INSTRUCTIONS

Servicing

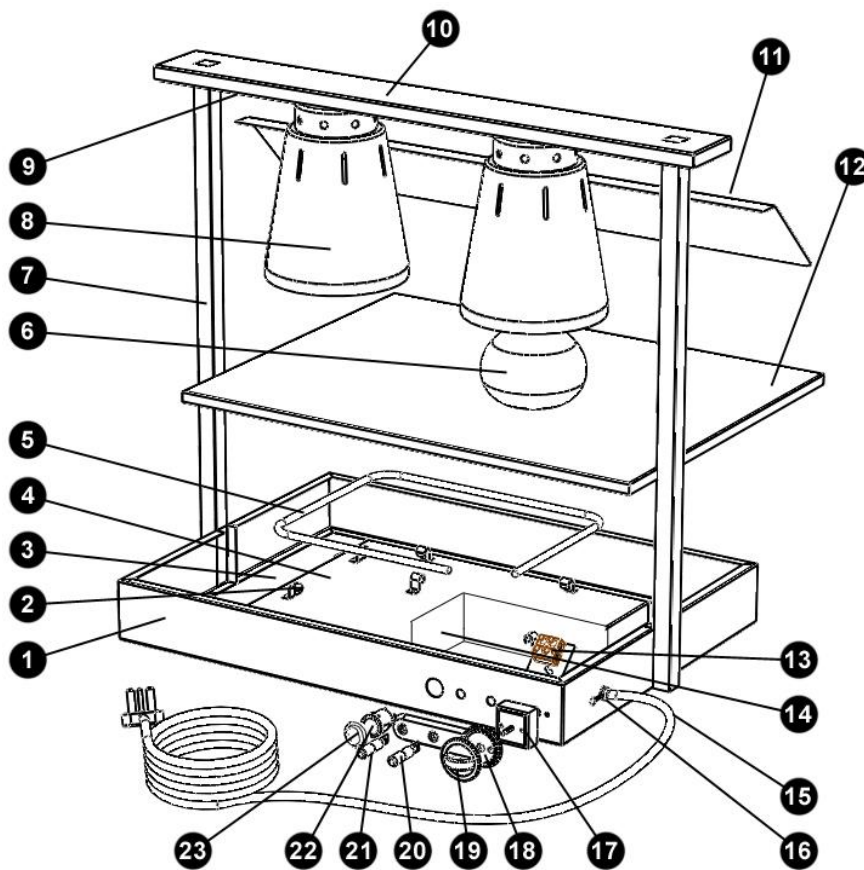
This appliance should be routinely serviced to prolong its lifetime. Parry recommends that the appliance is serviced every 12 months by a Parry authorised engineer. Failure to service your product within the initial 12 month warranty period will cause the 24 month warranty to become void.

MAINTENANCE AND SERVICE MUST ONLY BE UNDERTAKEN BY A QUALIFIED ELECTRICIAN / ENGINEER

IF THE SUPPLY CORD BECOMES DAMAGED, IT MUST BE REPLACED BY THE MANUFACTURER, ITS SERVICE AGENT OR SIMILARLY QUALIFIED PERSONS IN ORDER TO AVOID A HAZARD

INSTRUCTION REF: IN120
ISSUE No. 3
DATE 17.08.15
Page 7 of 26

EXPLODED VIEW
C2LU / C3LU / C4LU



C2LU unit shown above

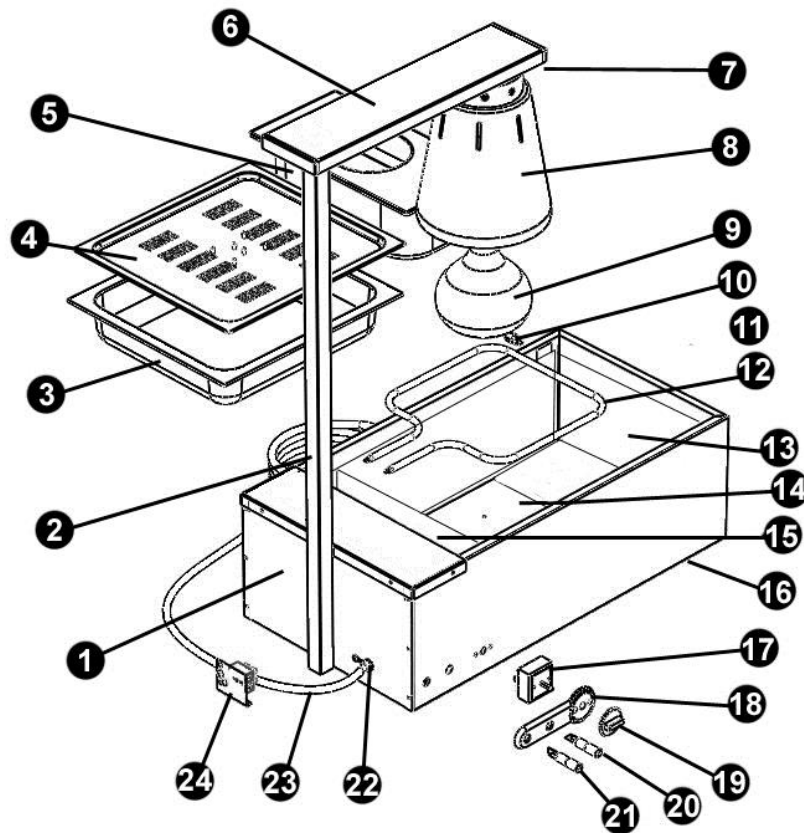
INSTRUCTION REF: IN120
ISSUE No. 3
DATE 17.08.15
Page 8 of 26

PARTS LIST
C2LU / C3LU / C4LU

NO.	Description	C2LU	C3LU	C4LU
1	*Body	NO CODE	NO CODE	NO CODE
2	Element Clip	AS2640ELC	AS2640ELC	AS2640ELC
3	*Base	NO CODE	NO CODE	NO CODE
4	*Element Stand	NO CODE	NO CODE	NO CODE
5	Element	ELDU00400	ELDU00400	ELPS40800
6	Lamp	ELHL27275	ELHL27275	ELHL27275
7	*Gantry Leg	NO CODE	NO CODE	NO CODE
8	Lamp Holder & Shade	CPSH00001	CPSH00001	CPSH00001
9	*Gantry Bottom	NO CODE	NO CODE	NO CODE
10	*Gantry Top	NO CODE	NO CODE	NO CODE
11	Sneeze Screen	HDPB50792	HDPB5104	HDPB51423
12	*Top	NO CODE	NO CODE	NO CODE
13	Terminal Block	TERMBRKT1	TERMBRKT1	TERMBRKT1
14	*Wire Guard	NO CODE	NO CODE	NO CODE
15	Mains Cable	MAINSLEAD	MAINSLEAD	MAINSLEAD
16	Cable Bush	BUSR06003	BUSR06003	BUSR06003
17	Simmerstat	SATT37071	SATT37071	SATT37071
18	Bezel	BEZELCBOX	BEZELCBOX	BEZELCBOX
19	Control Knob	KNOBTYPED	KNOBTYPED	KNOBTYPED
20	Red Neon	LNRE2211P	LNRE2211P	LNRE2211P
21	Green Neon	LNGN2211P	LNGN2211P	LNGN2211P
22	Round Switch	SWRE00008	SWRE00008	SWRE00008
23	Round Switch Cover	SWRE00008C	SWRE00008C	SWRE00008C

INSTRUCTION REF: IN120
ISSUE No. 3
DATE 17.08.15
Page 9 of 26

EXPLODED VIEW
CCBM



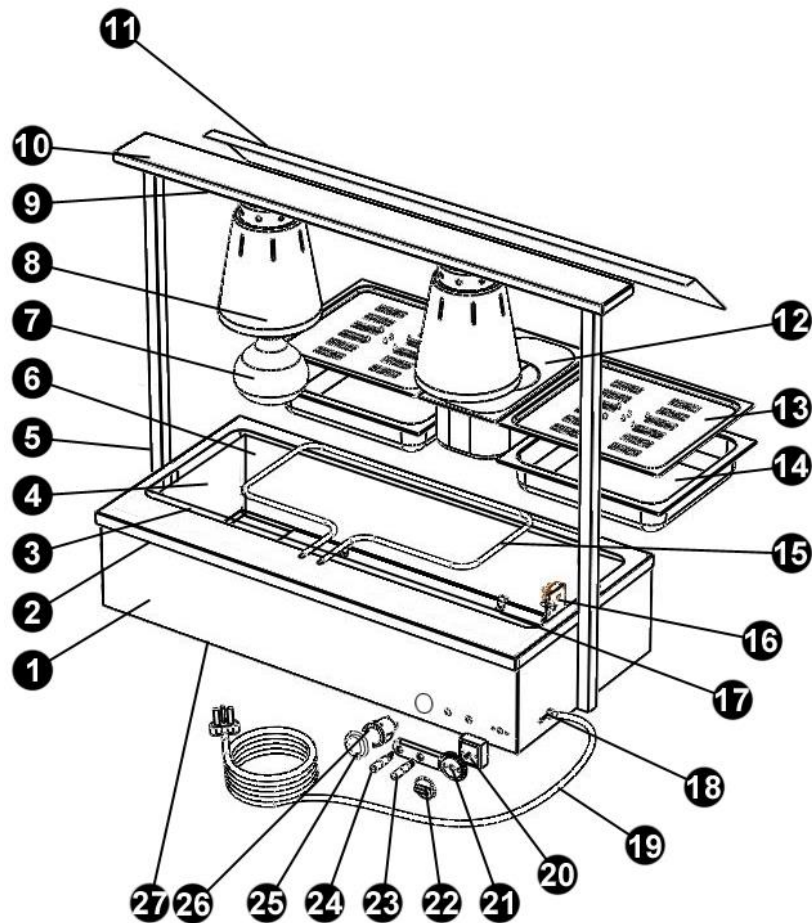
INSTRUCTION REF: IN120
ISSUE No. 3
DATE 17.08.15
Page 10 of 26

PARTS LIST
CCBM

NO.	Description	CCBM
1	*Body	NO CODE
2	*Gantry	NO CODE
3	2/3 65mm Gastronorm	BAMA23065
4	2/3 20mm Gastronorm Perforated	BALD23065
5	1/3 150mm Gastronorm Pot and Lid set	BAMA30150
6	*Gantry Top	NO CODE
7	*Gantry Bottom	NO CODE
8	Lamp Holder & Shade	CPSH00001
9	Lamp	ELHL27275
10	Element Clip	AS2640ELC
11	*Side Guard	NO CODE
12	Element	ELBM60892
13	*Front Guard	NO CODE
14	*Element Stand	NO CODE
15	*Rear Guard	NO CODE
16	*Base	NO CODE
17	Simmerstat	SATT37071
18	Bezel	BEZELCBOX
19	Control Knob	KNOBTYPED
20	Red Neon	LNRE2211P
21	Green Neon	LNGN2211P
22	Cable Bush	BUSR06003
23	Mains Lead	MAINSLEAD
24	Terminal Block	TERMBRKT1

INSTRUCTION REF: IN120
ISSUE No. 3
DATE 17.08.15
Page 11 of 26

EXPLODED VIEW
CCSU2



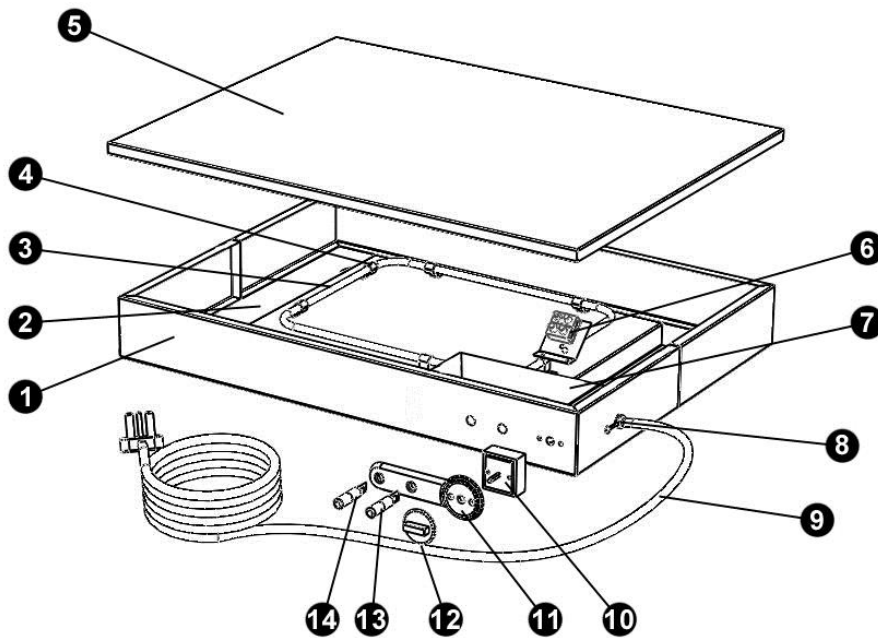
INSTRUCTION REF: IN120
 ISSUE No. 3
 DATE 17.08.15
 Page 12 of 26

PARTS LIST
CCSU2

NO.	Description	CCSU2
1	*Body	NO CODE
2	*Top	NO CODE
3	*Front Guard	NO CODE
4	*Side Guard	NO CODE
5	*Gantry Leg	NO CODE
6	*Rear Guard	NO CODE
7	Lamp	ELHL27275
8	Lamp Holder & Shade	CPSH00001
9	*Gantry Bottom	NO CODE
10	*Gantry Top	NO CODE
11	Sneeze Screen	HDPB51032
12	1/3 150mm Gastronorm Pot and Lid Set	BAMA30150
13	2/3 20mm Gastronorm Perforated	BALD23065
14	2/3 65mm Gastronorm	BAMA23065
15	Element	ELBM80902
16	Terminal Block	TERMBRKT1
17	Element Clip	AS2640ELC
18	Cable Bush	BUSR06003
19	Mains Cable	MAINSLEAD
20	Simmerstat	SATT37071
21	Bezel	BEZELCBOX
22	Control Knob	KNOBTYPED
23	Red Neon	LNRE2211P
24	Green Neon	LNGN2211P
25	Round Switch (<i>Rectangle Switch prior 21/5/2014</i>)	SWRE00008 (<i>SWRE06165</i>)
26	Round Switch Cover	SWRE00008C
27	*Base	NO CODE

INSTRUCTION REF: IN120
ISSUE No. 3
DATE 17.08.15
Page 13 of 26

EXPLODED VIEW
3021 / 3022



INSTRUCTION REF: IN120
 ISSUE No. 3
 DATE 17.08.15
 Page 14 of 26

PARTS LIST
3021 / 3022

NO.	Description	3021	3022
1	*Body	NO CODE	NO CODE
2	*Base	NO CODE	NO CODE
3	Element	ELDU00400	ELBM80902
4	Element Clip	AS2640ELC	AS2640ELC
5	*Top	NO CODE	NO CODE
6	Terminal Block	TERMBRKT1	TERMBRKT1
7	*Wire Guard	NO CODE	NO CODE
8	Cable Bush	BUSR06003	BUSR06003
9	Mains Cable	MAINSCABLE	MAINSCABLE
10	Simmerstat	SATT37071	SATT37071
11	Bezel	BEZELCBOX	BEZELCBOX
12	Control Knob	KNOBTYPED	KNOBTYPED
13	Red Neon	LNRE2211P	LNRE2211P
14	Green Neon	LNGR2211P	LNGR2211P

FAULTS

The most common fault is that the unit is not connected with the mains supply, and so the mains light does not come on.

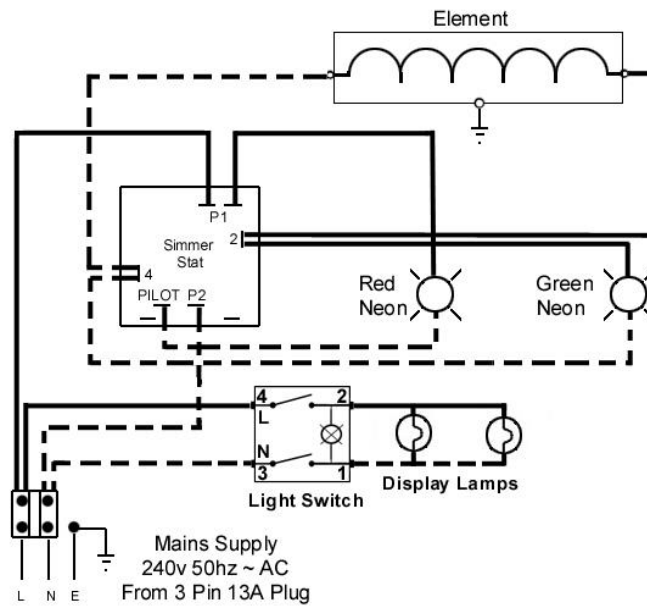
Try another appliance in the socket, check the socket is turned on, check the wiring to and in the plug, and the plug fuse. One of these may cure your fault. If this is not the case, and for any other problems, first contact your distributor.

Any spares or replacements must conform to the relevant standards and the Health and Safety at Work Act and only be fitted by a qualified electrician or competent person.

INSTRUCTION REF: IN120
ISSUE No. 3
DATE 17.08.15
Page 15 of 26

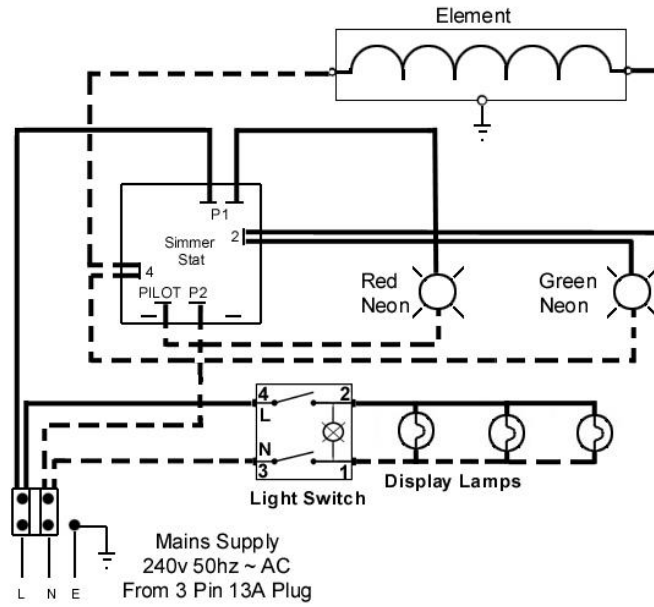
WIRING DIAGRAMS

C2LU



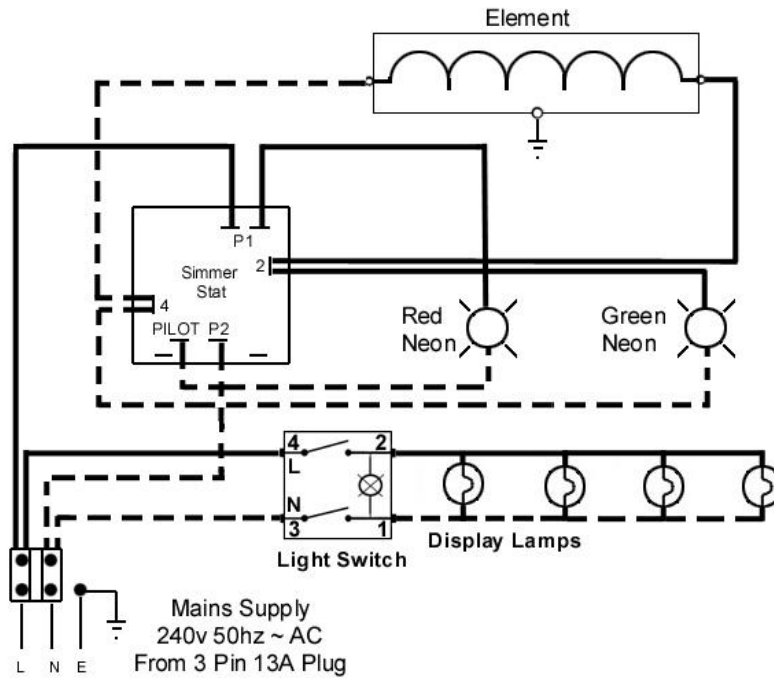
INSTRUCTION REF: IN120
ISSUE No. 3
DATE 17.08.15
Page 16 of 26

C3LU



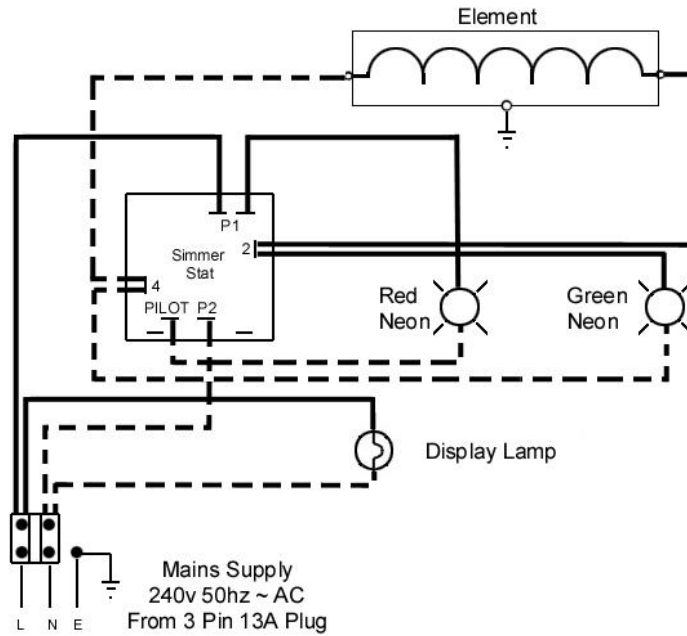
INSTRUCTION REF: IN120
ISSUE No. 3
DATE 17.08.15
Page 17 of 26

C4LU



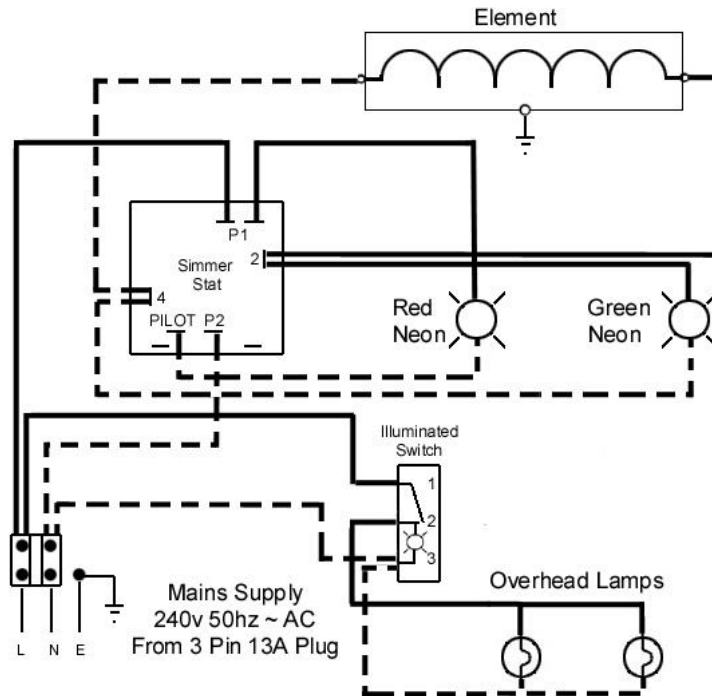
INSTRUCTION REF: IN120
ISSUE No. 3
DATE 17.08.15
Page 18 of 26

CCBM



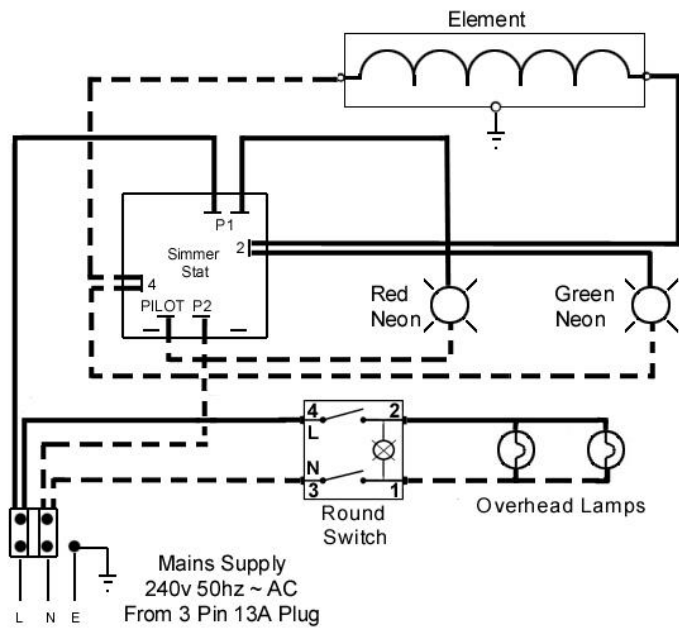
INSTRUCTION REF: IN120
ISSUE No. 3
DATE 17.08.15
Page 19 of 26

CCSU2 (with rectangle switch)



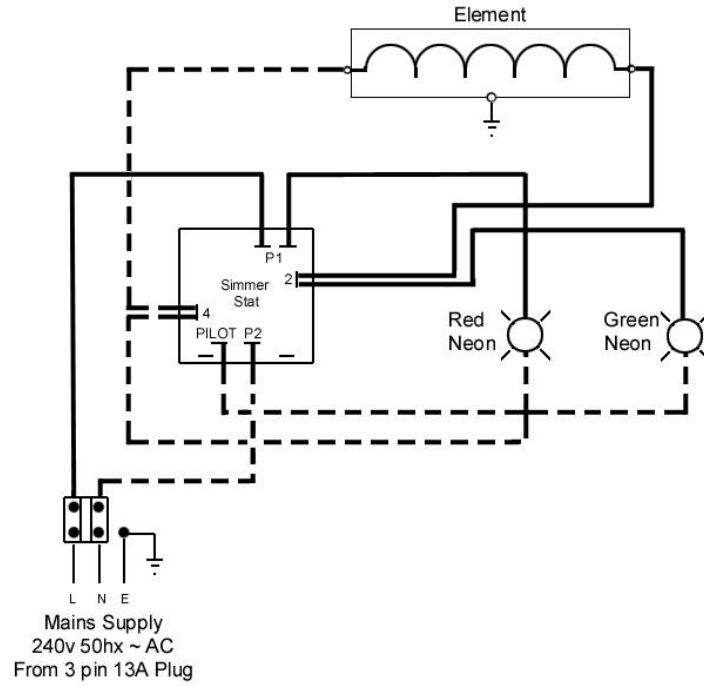
INSTRUCTION REF: IN120
 ISSUE No. 3
 DATE 17.08.15
 Page 20 of 26

CCSU2 (with round switch)



INSTRUCTION REF: IN120
ISSUE No. 3
DATE 17.08.15
Page 21 of 26

3021 / 3022



INSTRUCTION REF: IN120
ISSUE No. 3
DATE 17.08.15
Page 22 of 26

WARRANTY INFORMATION

Warranty Policy

- The manufacturer's warranty is only valid in the UK mainland. Northern Ireland, Western Isles, Inner Hebrides and Islands are parts only warranty.
- All service calls will be carried out between the hours of 8.00am – 5.00pm Monday to Friday only.
- We accept no responsibility for delays in replacing or repairing the equipment due to circumstances beyond our control.
- Your warranty can be immediately invalid if the installation of the equipment has not been carried out in accordance with the manufacturer's instructions. (See installation details). Also the misuse, alteration or unauthorised repairs of the equipment will invalidate the warranty.
- During the warranty period it is at Parry's discretion to repair or replace the equipment.
- Warranty only applies if the equipment has been used in a professional manner following the manufacturer's instructions and maintenance guide lines.
- The warranty covers defects in the material and component failure only. We are not liable for trading loss, loss of perishable items, water damage, loss due to injury or fire damage.
- Please be aware that the warranty starts from the date of purchase from Parry and not the sale or installation date of the equipment.

Warranty Request

- Please ensure you have referred to the manufacturers' instructions before placing a warranty call. Or contact our warranty department on 01757 213909 for technical assistance, ensure you obtain the model number before calling.
- Please ensure you have read the section not covered under warranty to avoid any unnecessary warranty charges.

INSTRUCTION REF: IN120

ISSUE No. 3

DATE 17.08.15

Page 23 of 26

- It is vital that all warranty requests be submitted to Parry via email to warranty@parry.co.uk
- It is at the discretion of PARRY whether to honour a service call which is out of the warranty period.

Not Covered Under Warranty

- Fault due to poor maintenance.
- Resetting of equipment or circuit breakers.
- Abuse of the equipment
- Foil should never be used on racks
- Blockages e.g., drains, condensers, pumps etc.
- Lime scale related issues
- Installed incorrectly
- Access arranged for service call and engineer refused access or customer not there.
- No faults with the machine.
- Setting up of equipment e.g., dishwasher detergents, levelling and setting up of doors on a 6 burner cooker.
- Excessive carbon build up on griddle plates.
- Over use of lava rock on the chargrills. Parry recommends maximum of 2kg.
- Faulty electrics – e.g., customers plug socket, plug, wiring, junction box fault, wrong fuse.
- Any damages caused by the customer.

INSTRUCTION REF: IN120
ISSUE No. 3
DATE 17.08.15
Page 24 of 26

- Lamps, glass, door gaskets, Perspex, baskets, knobs all perishable items are not covered.

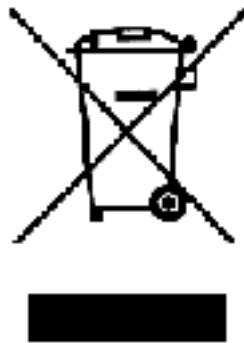
This appliance should be routinely serviced to prolong its lifetime. Parry recommends that the appliance is serviced every 12 months by a Parry authorised engineer. Failure to service your product within the initial 12 month warranty period will cause the 24 month warranty to become void.

INSTRUCTION REF: IN120
ISSUE No. 3
DATE 17.08.15
Page 25 of 26

Disposal Information

This appliance is marked according to the European Directive 2002/96/EC on Waste Electrical and Electronic Equipment (WEEE).

By ensuring this product is disposed of correctly, you will help prevent potential negative consequences for the environment and human health which could otherwise be caused by inappropriate waste handling of this product.



A symbol on the product, or on the documents accompanying the product, indicates that this appliance may not be treated as household waste. Instead it should be handed over to the applicable collection point for the recycling of electrical and electronic equipment.

Disposal must be carried out in accordance with local environmental regulations for waste disposal.

For more detailed information about treatment, recovery and recycling of this product, please contact your local city office, your household waste disposal service or the shop where you purchased the product.

Parry Catering recognises our obligations to the EU DIRECTIVE covering the waste disposal of electrical and electronic equipment (WEEE) Parry Catering are committed to this policy in order to help conserve the environment.

INSTRUCTION REF: IN120
ISSUE No. 3
DATE 17.08.15
Page 26 of 26

At the end of this units life you **MUST** dispose of it in an approved manner. You **MUST** not discard the unit or place it in the refuse bin.

You have several options:

- a) Take the unit to an approved WEEE scheme company, there will be one in your area.
- b) Take the unit to an approved waste disposal site; many sites are managed by your local authority.

Contact the units manufacturer, importer or their agent; the contact details will be on the unit.

There will probably be a charge for this service which will depend on the physical size and location of the unit. You will be given a collection price for a curb side collection based on commercial rates prevailing at the time.

It should be noted that the unit to be collected should be suitably packed and sealed to prevent dangerous gases and fluids from escaping. The condition of the unit must also be clean to comply with health and safety regulations.