

Kangarillo Hand Dryer

User Manual



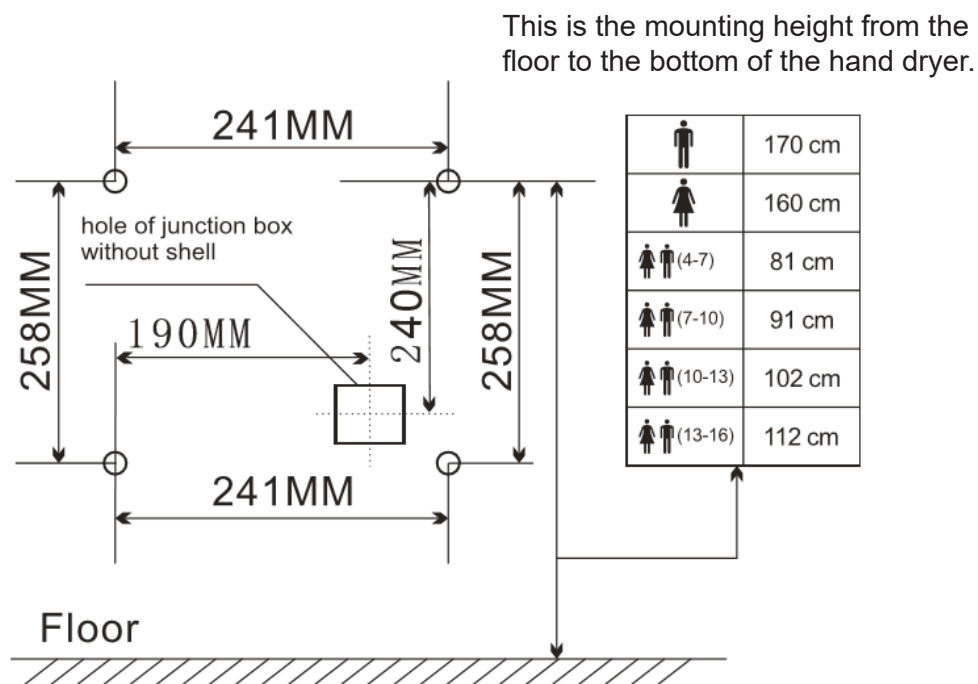
Precautions before installation and recommended installation location

Do not install in the following places as this may cause the unit to malfunction

- In areas with temperatures below 10°C or above 40°C
- Where the unit is likely to be splashed by water
- In direct sunlight
- In an area where there is condensation
- In an area close to chemicals or gases
- In altitude over the range of 0-2000m

Installation location

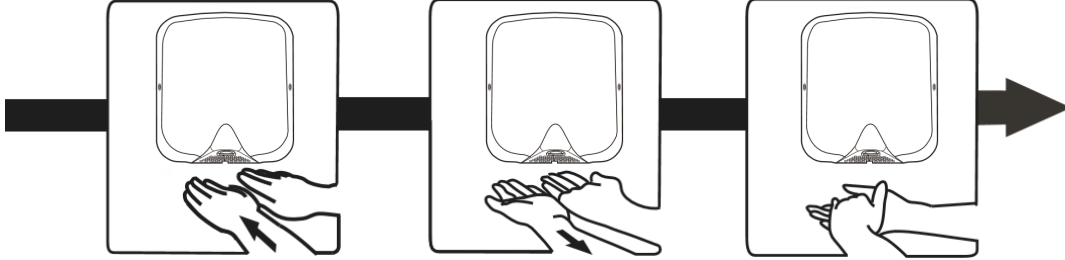
- A minimum distance of 100mm should be left clear either side of the unit
- Avoid locations where people or doors might damage the unit
- Choose a completely flat wall to mount onto



- Power cord should be 1.5mm²-2.0mm²

Daily use and maintenance

Daily use



External Maintenance

- Wipe clean with a soft dry cloth
- Use only neutral detergents
- ❗ • Do not use solvents, acid or alkali cleaners or hard brushes as these can damage the machine surface or cause it to discolour



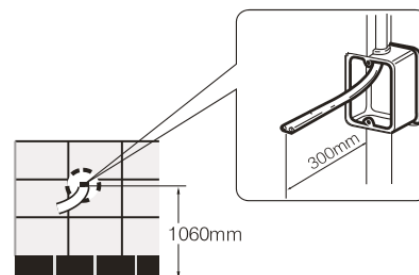
Packing List

Kangarillo Hand Dryer.....	x1
Screws.....	x4
5mm raw plugs	x4
User manual	x1
Allen Key	x1

Installation instructions

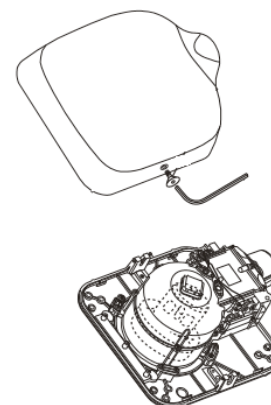
When installing with a spur, you should install this to the right above the hand dryer. The distance should be between 20 - 50cm.

Alternatively, a direct power feed can be fed into the back of the unit.

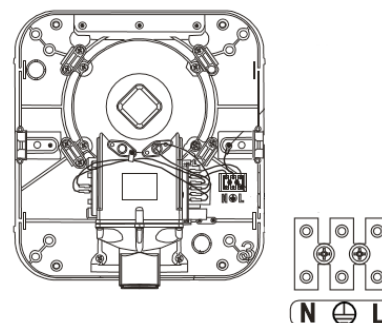


Remove the cover by using the allen key provided to undo the two screws.

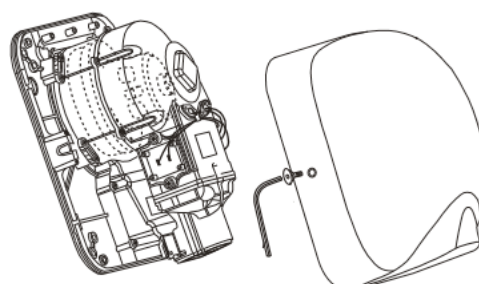
Pull the cover upwards to remove.



Fix to the wall and connect to the power as shown.



Replace the cover and tighten the two screws with the allen key.



Model	Kangarillo
Dimensions	320x293x175
Net weight	4.4kg
Power	220-240v
Input	1400-1650W
Protection class	IPX1
Air Speed	60 m/s



WARNING

Use this unit properly and follow the safety guidelines carefully.



Prohibited

- Do not open the front panel. Electrical shock risk.
- Do not get excessively wet.
- Do not use in a wet environment, where water may get directly into the unit or where condensation may form. The unit is likely to malfunction in damp conditions.



Do not get excessively wet

- Do not modify.
- If the power is over +/-10% the unit will malfunction. Using an incorrect power supply will invalidate warranty.
- Power must be disconnected whilst maintenance is being carried out.



Do not use in the bath or shower

- ❗ **The machine must have an earth connection**
- ❗ **Attention when installing**

- Do not install when the machine is connected to the power supply.



Warning

- This appliance is not intended for use by persons (including children) with reduced physical, sensory or mental capabilities, unless they are supervised and instructed how to use the appliance by the person responsible for their safety.
- If the cord is damaged it must be replaced by the manufacturer, its service agent or a similarly qualified person.



Environmental Protection

Do not dispose of electrical waste with household waste, please recycle in appropriate facilities. Check with your Local Authority or retailer for recycling advice.