



The Pulsar is our zero light designer space heater which can be suspended from high ceilings. The Pulsar will directly warm people below the heater and so can be used in applications such as reception areas, restaurants and public areas. When used in smaller enclosed spaces such as hallways Pulsar will heat the zone and the room itself.


Pulsar is made in Europe from high quality materials and is completely maintenance free. The heater takes around 10 minutes to warm up and should be used in conjunction with Herschel IQ controls. The black Pulsar is higher power and more effective for space/zone heating applications. The white Pulsar is relatively low power and more suited to heating smaller rooms or as a supplementary heater to existing systems.

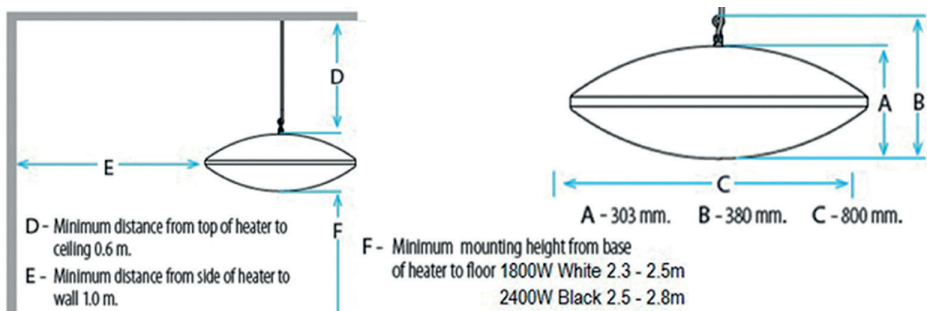
Emitting the gentle, cosy feeling of radiant heat, Pulsar provides a contemporary and effective electric heating solution for high ceiling spaces.

Available Models

Part Number	Rated Power	Dimensions	Weight	Heated Zone m ²
IRPULSAR-1800W	1800W	80 x 38 cm	28 kg	8 - 15
IRPULSAR-2400B	2400W	80 x 38 cm	28 kg	12 - 20

Technical Details

Heating Element	Ceramic heating elements
Voltage	230V 50Hz
Body	Black or White enamelled steel
Warm Up Time	<10 Minutes
Useful Wavelength Range	3 - 10µm
IP Rating	IP20
Cable	1.5m
Certificates	
Warranty	1 years



IMPORTANT

The White Pulsar is 1800W and will heat an enclosed indoor area of 8 - 15m² from a height of up to 2.5m . The Black Pulsar is 2400W and will heat enclosed indoor areas of 12-20m² from a height of up to 2.8m. These areas are a guideline only and will be impacted by airflow and ambient temperatures. Dependent upon the property age/type, insulation levels and levels of airflow present, the number of heaters required and running times will vary. For larger domestic or commercial projects we recommend Herschel carry out a survey or detailed desktop assessment. Always refer to the installation instructions. In areas with air movement/wind the directional Far Infrared spread may reduce by 1/3 to 1/2. In these areas we recommend mounting at the lowest height and proportionally increasing the number of heaters.

The Herschel Pulsar rises to high temperatures in use and the unit must not be touched when power is applied. Do not place the emitting surface closer than 1m to any object or wall and sides and top no closer than 600mm from any surface or wall. After switch off the elements remain hot for a considerable time and the unit should not be touched for a minimum of 30 minutes. NEVER use the heater to ignite materials. Ensure supply voltage does not exceed 245 volts. It is not approved for exterior use.

The Herschel Pulsar is guaranteed against failure due to faulty materials or workmanship for 12 months from the date of purchase. In the unlikely event of failure of the unit within this time, the unit must be returned to Herschel for repair or replacement and excludes any cost of installation or consequential losses. The guarantee is invalid if the correct installation instructions have not been adhered to.