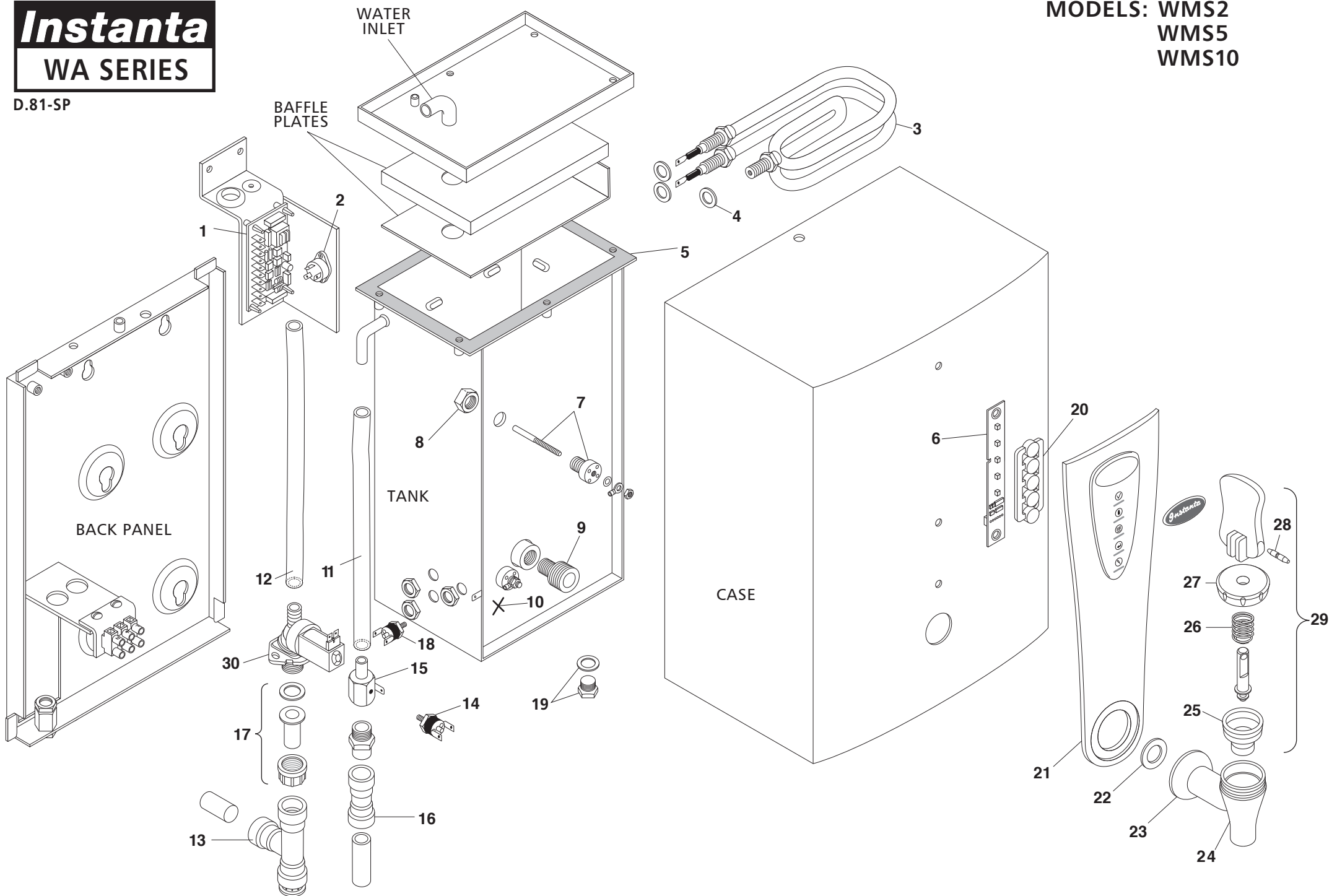


Instanta

WA SERIES

D.81-SP

MODELS: WMS2
WMS5
WMS10



WMS Range Wall-Mount Auto-Fill Water Boiler (D.81-SP)

Drawing No	Description	Part No	Price (£)
1	Main Control Circuit Board	XE150B	95.41
2	Triac	XE851	15.83
3	Element	XEN175 (WA5 & 10)	69.08
		XEN120 (WA2N)	46.27
4	Element Washer (silicone rubber)	XEN100/W	1.38
5	Tank Gasket	WEN2G (WA2N)	15.50
		WEN5G/N (WA5N)	17.63
		WEN10G (WA10N)	20.95
6	LED PCB	XE882	19.44
7	Probe Assembly	PRB1/A	17.05
8	Hex Nut	T514/P	2.02
9	Brass tank adaptor	XTP1019/HS	6.65
10	Thermistor	XE853	13.65
11	Overflow tube	SR9	11.07/mtr
12	Water feed pipe	ACC309/S	9.14/mtr
13	John Guest 15mm Push-fit "T" coupling	WMB15/T	6.90
14	Over-boil safety cut-out (set @ 90°C)	XETR7	9.14
14	Dual-pole safety cut-out (from Jan 2014 – check serial number) (WA2N – 2WA01476, WA5N – 5WA04010, WA10N – 10WA01377)	XETR6	11.50
15	Brass 1/4"bsp to 15mm push-fit	SRF15	7.01
16	John Guest 15mm straight push-fit	WMB15/S	3.51
17	3/4"BSP nut, washer & brass tail push-fit	WMB34/A	9.12
18	Boil-dry safety cut-out (set @ 120°C)	XETR5	9.14
19	Brass Tank Drain	WBA247/C	5.27
19	Fibre Washer	WBA501	1.17
20	LED Diffuser Bar	WMB320/LP	2.99
21	Plastic front fascia	WMB320	20.95
22	Tap washer-seal	XWSH2	1.52
23	Grey plastic tap collar	XEN304	5.98
24	Complete draw-off tap c/w tap extrn's	WTP500	106.52
25	Silicone seat-cup tap washer	TP1001/L	8.29
26	Tap Spring	TP1007/L	6.01
27	Tap bonnet	HSTP100	13.44
28	Bent tap pin	TP1030	5.70
29	Upper tap handle assembly complete	XTP1050/A	35.70
30	Cold water inlet solenoid valve	SOL12	26.75