

Fig.12

Power Plug

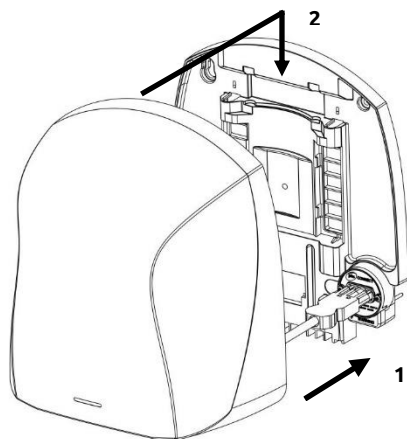


Fig.13

SERVICING

Periodic cleaning of the inside of the dryer is recommended to prevent a build-up of dirt and fibres. With the cover assembly removed a soft brush can be used to dislodge any debris. An inlet filter is fitted to prevent debris from entering the motor. (Fig.14). This filter can be removed and replaced by pulling outwards as shown. (Fig.15). Replacement is the reversal of removal.

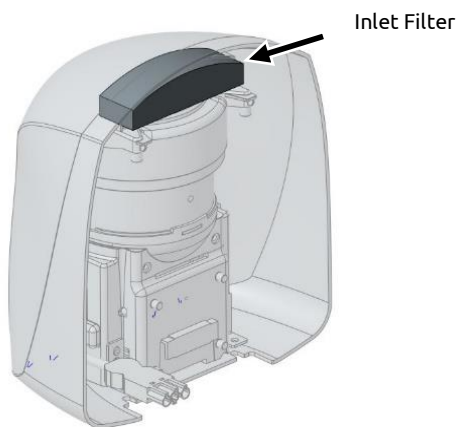


Fig.14

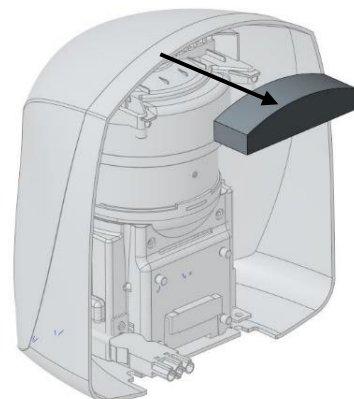
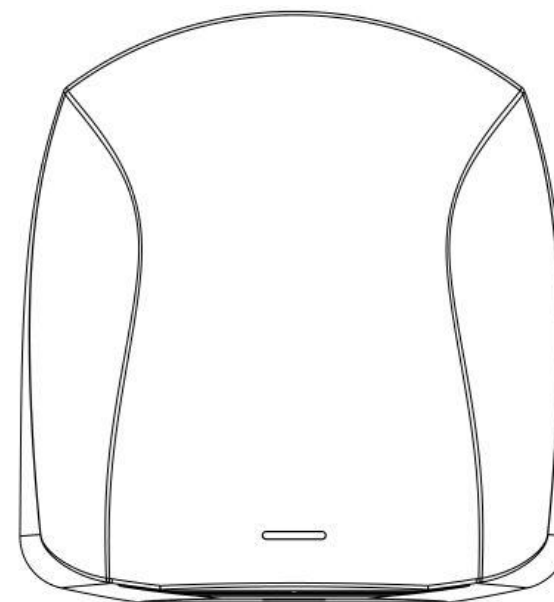


Fig.15

PHS KEY



DESCRIPTION:

High speed hand dryer powered by universal brush motor, delivering 600 Watts of drying power. This hand dryer runs on 230 Volts AC electrical supply. An infrared sensor is used to automatically turn the dryer on and off. This model is intended for use in commercial, industrial, office and public facility environments.

SPECIFICATION:

Rating:	600W at 230V ac 50Hz
Construction:	ABS
Dimensions (mm):	260x281x152
Weight:	2.90 Kg

IMPORTANT:

This appliance can be used by children aged from 8 years and above and persons with reduced physical, sensory or mental capabilities or lack of experience and knowledge if they have been given supervision or instruction concerning use of the appliance in a safe way and understand the hazards involved.

Children shall not play with the appliance.

Cleaning and user maintenance shall not be made by children without supervision.

SITING:

- Avoid positioning above lightly coloured or polished surfaces.
- Site carefully to avoid causing obstructions.

INSTALLATION:

Remove the cover assembly using the hex key as shown. (Fig.1) Turn the **2** mounting screws fully **clockwise** then slide the assembly forward in the direction shown. (Fig.2) The cover assembly can now be removed from its backplate. (Fig.3)

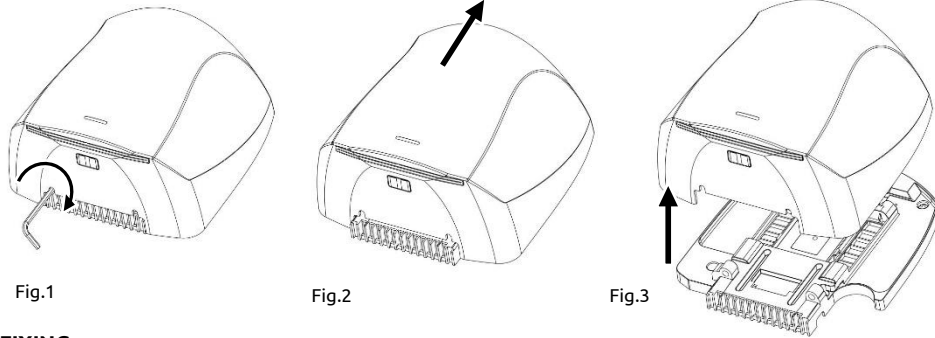


Fig.1

Fig.2

Fig.3

FIXING

Place the hand dryer base at the desired location. Using the backplate as a template, mark the position of the four fixing holes (Fig.4). Note; a keyhole slot is provided to aid installation. Drill the wall to accept the plugs and screws provided. Secure the backplate assembly.

POWER CONNECTOR MODULE

The dryer benefits from a quick-connect power supply system which interfaces with the fixed backplate. The connector module position is dictated by the backplate. It must be positioned and secured as shown (Fig.5) to ensure correct cover fitment. Make provision for the electrical supply with reference to the entry requirement of the power connector module.

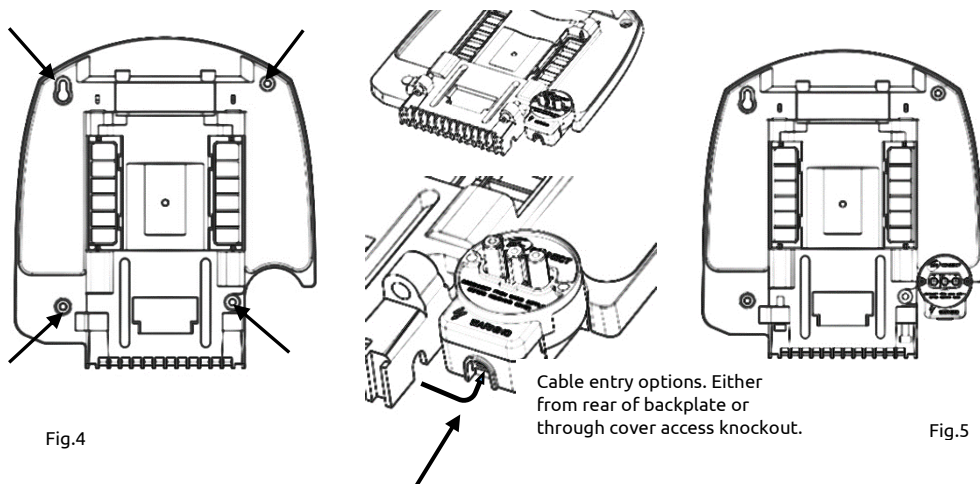


Fig.4

Fig.5

POWER CONNECTION MODULE-FITTING

- Remove the 2 screws as shown (Fig.6) to release the outer cover.
- Remove the terminal connector by sliding upward as shown (Fig.7). This provides access to securing holes in the module base component.
- Position the base component as described previously (Fig.5) and mark the position of the 3 securing holes. Drill the wall to accept the plugs and screws provided. Fix the module base in position. Ensure that it is secure.(Fig.8)

The hand dryer must be connected to the supply via a fused, double-pole isolating switch having a contact separation of at least 3mm in all poles.

- Feed the supply cable through the entry hole in the module base as shown. (Fig.9). Connect the supply conductors as follows:

BROWN wire to the terminal marked **L**
BLUE wire to the terminal marked **N**

NOTE: This is a class 2 insulated product and does not require earth bonding. The terminal connector has the facility to 'park' an earth conductor if one is present.

- Re-fit the terminal connector. This is the reverse of removal in (Fig.7). Secure the cable beneath the cable clamp (Fig.10)
- Replace the outer cover and secure using the 2 screws removed previously (Fig.11)

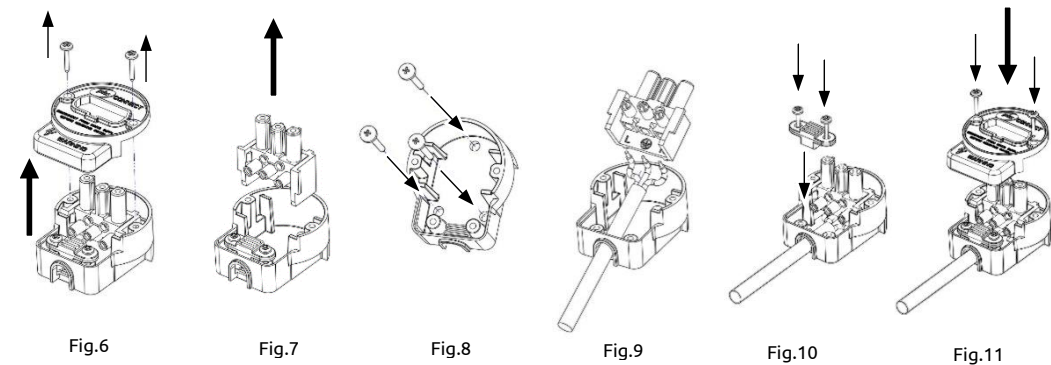


Fig.6

Fig.7

Fig.8

Fig.9

Fig.10

Fig.11

COVER RE-FITTING

Installation can now be completed by making the connection to the power module and replacing the cover assembly.

- Locate the power plug situated inside the cover assembly (Fig.12)
- Connect to the terminal in the power connection module (Fig.13)
- Locate the cover assembly on the backplate and slide downward into position. This is the reversal of the installation process in Fig's 1, 2 & 3.
- Secure the cover assembly by rotating the **2** mounting screws **anti-clockwise**. **DO NOT OVER TIGHTEN**.

TESTING

- Switch on at the supply. The standby light within the cover should illuminate.
- Place hands beneath the dryer. The dryer should start automatically and the light indicator will change from standby to operating mode.
- When the hands are removed the dryer should stop within a few seconds and the standby light should be visible again.