



**Heat Outdoors**  
**SHADOW FATBOY**  
**INFRARED PATIO HEATER**

Safety Instructions  
and Operation Manual



Thank you for purchasing our products. Please read this instruction manual carefully before using and operating. Please use in strict accordance with the instructions, and especially pay attention to **"Important Safety Instructions"**.

# Brief Introduction

This product is an infrared radiant heater and IP65 approved. This product can be used in indoor and outdoor settings, such as hotel lobby areas, open bars, restrooms, courtyards, shopping centers, travel station, workshops, and construction sites in winter. This patio heater is energy-efficient, convenient, environmentally friendly and for better life.

## Important Safety Instructions

When using electrical appliances, basic safety precautions should always be followed to reduce the risk of fire, electric shock, or injury to persons. Read all instructions before using this heater.

This heater is hot when in use.

- To avoid burns, do not let bare skin touch hot surfaces. If provided, use handles when moving this heater.
- Keep combustible materials such as furniture, pillows, bedding, papers, clothes and curtains at least 0.9m from the front of the heater.
- Extreme caution is necessary when any heater is used by or near children.
- Always unplug heater when not in use.
- Do not operate any heater with a damaged cord or plug or after the heater malfunctions, has been dropped or damaged in any manner. Discard heater, or return to authorized service facility for examination and/or repair.
- This heater is not intended for use in bathrooms, laundry areas and similar locations. Never locate heater where it may fall into a bathtub or any other water container.
- Arrange cord away from any traffic area and where it will not become a hazard to users.
- To disconnect heater you should turn the controls off then remove plug from outlet.
- Do not insert or allow foreign objects to enter any ventilation or exhaust opening as this may cause an electric shock or fire, or damage the heater.
- To prevent a possible fire, do not block air intakes or exhaust in any manner. Do not use on soft surfaces where openings may become blocked.
- Do not use it in areas where gasoline, paint, or flammable liquids are used or stored.
- Use this heater only as instructed in this manual. Any other use not recommended by the manufacturer may cause fire, electric shock, or injury to persons.
- Always plug heaters directly into a wall outlet. It is not advised to use with an extension cord or relocatable power tap (outlet/power strip). If users decide to use with extension lead or relocatable power tap, make sure the current carrying capacity and rated voltage correspond to the relative regulation.
- Check if the voltage indicated on the nameplate of the appliance corresponds to the local mains voltage before you connect the appliance.
- The casing and the front cover of the appliance can become extremely hot during operation. Please ensure that in adverse weather conditions no combustible material or covers obstruct or come in contact with the appliance.
- In case of improper use, there is a risk of electrical shock and/or fire hazard. Operation of the appliance must be discontinued and you should remove the mains plug immediately.

- Do not try to repair the appliance by yourself. Please contact with the service agent or a suitably qualified electrician for maintenance.
- Remove the plug from the power outlet and wait until the appliance is completely cooled off before cleaning.
- The appliance must only be mounted by an authorized specialist, paying attention to the relevant regulations of the power supply companies and the regional construction regulations.

## Save These Instructions

### SPECIFICATIONS

Specification	<input type="checkbox"/> SHADOWFB2400
Voltage (V)	<input type="checkbox"/> 220-240V~
Power consumption (W)	<input type="checkbox"/> 2400W
IP code	<input type="checkbox"/> IP65

### Operation Instruction

- Remove all package material (including anti-vibration object of the lamp) and check the appliance, supply cord and the plug for signs of damage.
- Pay attention to the mounting place and all mounting materials (dowels, screws). Ensure they are suitable and stable enough for mounting.
- Before mounting, the minimum safe mounting distances and tilt angles shown in the figures must be strictly followed.
- The distance between the bottom edge of the appliance and the floor must be at least 1.8 M. See figure 2.
- There must be a distance of at least 0.4 M between the appliance and the ceilings, roofs or other covers. See figure 2.
- There must be a distance of at least 0.5 M at each side between the appliance and walls or the like. See figure 2.
- Recommended degree to mounting surface is 45. See figure 3.
- Pay attention that, the installation of the appliance must not add excessive wind load. Fix the mounting bracket to the wall first. Ensure that the place to be installed is secure and firm or connect the appliance to a stand.
- Adjust the heater to the desired angle and tighten all screws. You should regularly check the screws connection to ensure the heater is still stable.

Figure1: Mounting bracket and anchor dowels provided. Connection from the wall to the infrared heater.

Figure2: Min. distance to floor, ceiling and wall.

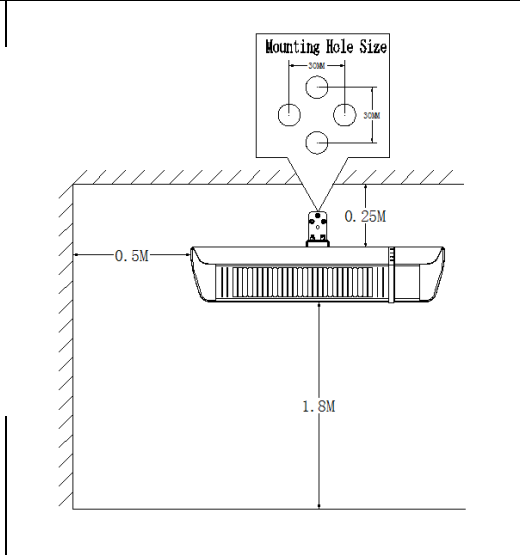
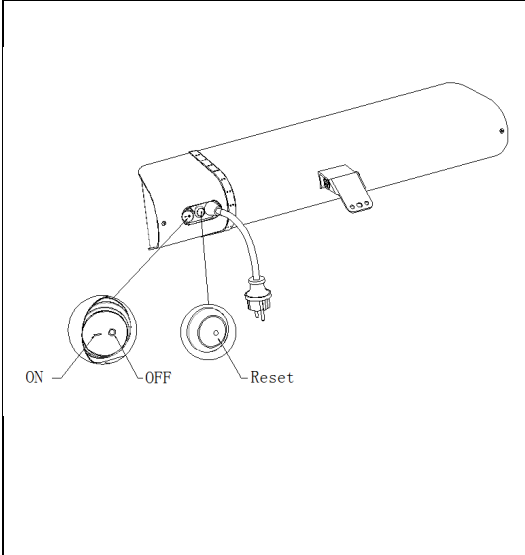
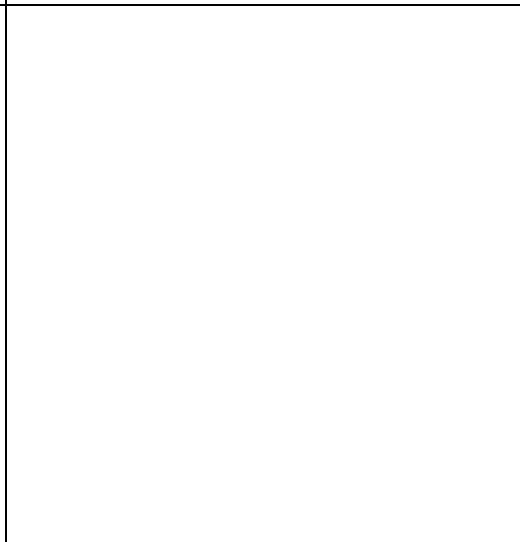
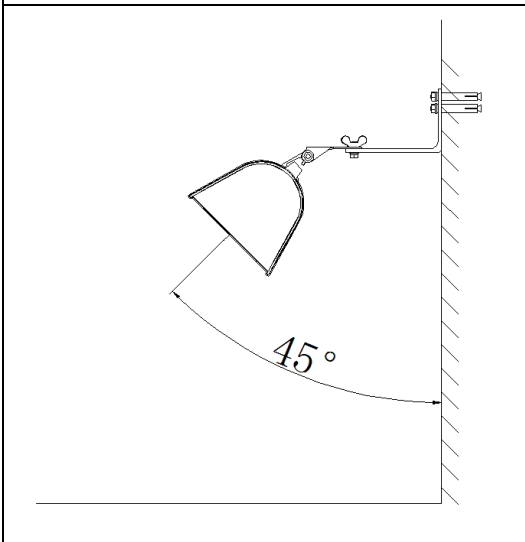


Figure3: Tilt angle.



## Cleaning and Maintenance

- This appliance consists of a robust and maintenance-free aluminum casing with a protective cover. No user serviceable parts are inside.
- Before cleaning you should remove the plug from the power outlet and wait until the appliance is sufficiently cooled off.
- Wipe the appliance down with a clean, lint-free cloth or a soft brush.
- Never use abrasive cleaners, scrubbing brushes and chemical cleaners for cleaning.
- Alcohol can be used to clean the appliance.
- To protect against electrical shock and danger of life, do not immerse cord, plug or any part of the appliance in water or any other liquid.
- For lamp replacements, please contact Heat Outdoors and we will be happy to help you find the correct replacement part.

## Storage

Do not route cord when heater storage, or heater is not in use.

## Disposal



In accordance with European Directive 2011/65/EU concerning used electrical and electronic appliances (waste electrical and electronic equipment – WEEE), please return any electrical equipment that you will no longer use to the collection points provided for their disposal.

This symbol indicates that the appliance cannot be treated as normal domestic trash, but must be handed to a collection point for recycling electric and electronic appliances. Information concerning where the equipment can be disposed of can be obtained from your local authority.

## Customer Service

- Repairs must be carried out by authorized specialists, thus ensuring electrical safety. Please contact Heat Outdoors or a suitably qualified electrician.
- Improper repairs could lead to danger to the user.
- This warranty does not cover damage of failure which results from alteration, accident, misuse, abuse, neglect, commercial use or improper maintenance.
- In line with our policy of continuous product development we reserve the right to change the product and documentation specifications without notice.

**info@heat-outdoors.co.uk**

+44 (0) 1279 466500

Unit 9, Stort Valley Industrial Estate

Bishops Stortford

Hertfordshire

CM23 2TU