

Shadow II ULG+ Heater

Safety Instructions and Operation Manual

901670 - 901671



Heat Outdoors

Unit 9, Stort Valley Industrial Estate
Stansted Road, Bishop's Stortford
Hertfordshire, United Kingdom
CM23 2TU

www.heat-outdoors.co.uk

01279 466500

info@heat-outdoors.co.uk

Contents

Brief Introduction	3
Technical Specifications	3
Safety Instructions	4
Installation Instructions	6
Product Diagrams	7
Operation Instructions	8
Customer Service	10

Brief Introduction

This product is a short-wave infrared radiant heater with remote control and IP 65 approved. It is universally used in outdoor settings such as open bars, courtyards, plazas, stations or home patio at any time of year. This patio heater is energy-efficient, convenient, environmentally friendly and ideal to improve the comfort and enjoyment of being outdoors.

Technical Specifications

Model No.	901670 / 901671
Voltage (V)	220 - 240V~
Power (W)	1500W / 2000W
Installation	Wall-mounted / Stand Mountable
Product Dimensions (mm)	610*135*83
Weight (Kg)	1.5kg
Infrared receiving angle	60°±5°
Water Ingress Protection	IP65

Safety Instructions

Read these instructions before using this heater.

CAUTION!

Risk of scald injury!

When using electrical appliances, basic safety precautions should always be followed to reduce the risk of fire, electric shock, or injury to persons, including the following:

- This heater is hot when in use. To avoid burns, **DO NOT** let bare skin touch hot surfaces. Keep combustible materials, such as furniture, fabrics, paper, clothes and curtains at least 0.9m from the front of the heater.
- Extreme caution is necessary when any heater is used by or near children or vulnerable people and whenever the heater is left operating and unattended.
- Always unplug the heater when not in use.
- **DO NOT** operate any heater with a damaged cord or plug or if the heater malfunctions, has been dropped or damaged in any manner. Discard heater, or return to an authorised service facility for examination and/or repair.
- **DO NOT** try to repair the appliance by yourself.
- This heater is **NOT** intended for use in bathrooms, laundry areas and similar locations. Never locate heater where it may fall into a bathtub or other water container.
- **DO NOT** run the power cable under carpeting, throw rugs, runners, or similar coverings.
- **DO NOT** route cord under furniture or appliances.
- Arrange cord away from high traffic areas or where it may become a trip hazard.
- Connect to properly grounded outlets only.
- To disconnect heater, turn controls off, then remove plug from outlet.
- **DO NOT** insert or allow foreign objects to enter any ventilation or exhaust opening as this may cause an electric shock or fire, or damage the heater.
- To prevent a possible fire, **DO NOT** block air intakes or exhaust in any manner.
- **DO NOT** use on soft surfaces, like a bed, where openings may become blocked.
- A heater has hot and arcing or sparking parts inside. **DO NOT** use it in areas where gasoline, paint, or flammable liquids are used or stored.
- Use this heater only as described in this manual. Any other use not recommended by the manufacturer may cause fire, electric shock, or injury to persons.
- Always plug heaters directly into a wall outlet/receptacle. Never use with an extension cord or relocatable power tap (outlet/power strip).
- Check if the voltage indicated on the nameplate of the appliance corresponds to the

local mains voltage before you connect the appliance.

- The appliance is **NOT** located immediately below a wall socket-outlet.
- The casing and the front cover of the appliance become extremely hot during operation. Pay attention that, no combustible material due to wind or other environmental influences covers or obstructs the appliance, such as curtains, marquees, flags, plastic foil etc. **DO NOT** touch the appliance.
- Improper use can result in electrical shock and/or fire hazard.
- Remove the plug from the power outlet and wait until the appliance is sufficiently cooled off before cleaning.
- Keep out of reach of children. In order to keep children from the dangers of electrical appliances, never leave them unsupervised with the machine.
- When selecting the location for your machine, do so in such a way that children do not have access to the machine.
- The appliance must only be mounted by an authorized person who has read and understood these safety instructions, paying attention to the relevant regulations of the power supply and the regional construction regulations.

Installation Instructions

- It is highly recommended to seek help from another person when installing this heater.
 - Remove all package material (including any anti-vibration foam surrounding the lamp)
 - Check the appliance, supply cord and the plug for signs of damage.
1. Before mounting, the minimum safe mounting distances and tilt angles shown in the figures must be strictly followed:
 - The distance between the bottom edge of the appliance and the floor must be at least 1.8m.
 - There must be a distance of at least 0.25m between the appliance and the ceilings, roofs or other covers.
 - There must be a distance of at least 0.5 M at each side between the appliance and walls, fabric or the like.
 - Ensure the parasol heater is not mounted in a position which is susceptible to excessive wind load.
 - Recommended degree to mounting surface is 45°. See figure 3.
 2. Fix the mounting bracket to the wall or stand first. Ensure the surface where the heater will be installed is secure and stable.
 3. Adjust the heater to the desired angle and fasten the tighten screws to fix the heater in position. Regularly check the tightening screws as wind and rain can lead to loosening.
 4. Plug in the power source and operate the remote control. Observe the heater to ensure it is working without any troubleshooting.
 5. Disconnect from the power supply when the heater is not in use.

Product Diagrams

Fig 1.

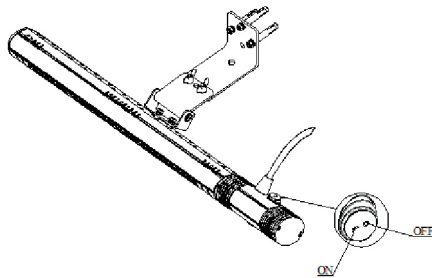


Fig 2.

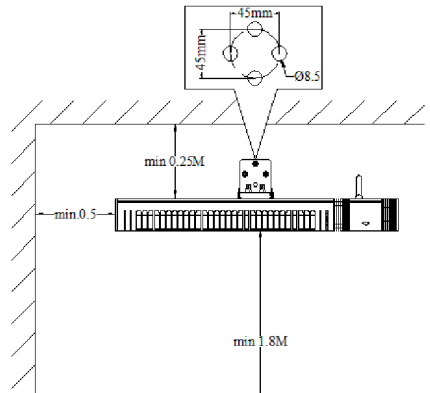


Fig 3.

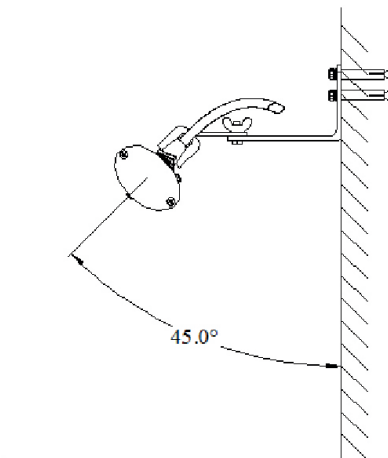
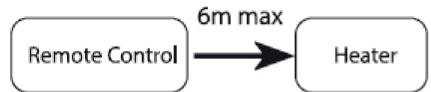


Fig 4.



Operation Instructions

Connect the power cable to a 220-240V, 13 amp supply.

Symbols for the 3-way switch control indicate the following:

0. OFF

(i). Remote function activated.

(ii). Remote function override.

Remote Control

Ensure the remote is pointed towards the IR Remote Receiver on the underside of the clamp shown in Fig 2 (Page 7).



Up one heating level



The heater goes directly to the highest heating level



Down one heating level



To turn the heater **ON**



To turn the heater **OFF**



Press **ON**. The patio heater has a soft start function of 33% power. 4 seconds after the heater has been turned on, it will automatically switch to the last heating level used. For the first use, after 4 seconds the heater will automatically switch to 100% power.

Press **OFF**. The heater will switch to standby mode (the receiver indicator will light up).

Notes

- Use 2 x AAA size - 1.5V batteries in the remote control.
- Remove the battery when not in use for long time, thus extending the lifespan of the remote control.
- The remote control function may not work if there is a barrier between the remote control and the heater, or the IR remote is not pointing directly at the IR Remote Receiver.



Cleaning & maintenance

Heater housing, grills and internal reflectors

- Disconnect the appliance from the power supply.
- After the heater has cooled down, the housing can be wiped clean with a damp cloth.
- Do not touch the glass bulb element with fingers, as small amounts of oil on the bulb can cause it to malfunction.
- Do not use any abrasive or hard cleaning products on any part of this heater.
- Do not immerse the appliance in water.
- Wait until the unit is completely dry before use.

Cleaning of heater lamp

- Disconnect the appliance from the power supply system.
- Wipe the lamp over with a damp cloth ensure no detergents or cleaning fluids are used as they may cause damage to the lamp coating.

<https://www.heat-outdoors.co.uk/help-desk/useful-articles/heater-and-lamp-maintenance.html>

Any maintenance or repairs should only be carried out by a qualified electrician. For further information and guidance, visit our online help articles and videos.

Storage

If the heater will not be used for a long period of time, store it in a cool, dry location. To prevent dust and dirt build-up, use the original packaging to repack the heater.

Disposal



In accordance with European Directive 2001/96/EG concerning used electrical and electronic appliances (waste electrical and electronic equipment – WEEE), please return any electrical equipment that you will no longer use to the collection points provided for their disposal.

This symbol indicates that the appliance cannot be treated as normal domestic trash, but must be handed to a collection point for recycling electric and electronic appliances.

Information concerning where the equipment can be disposed of can be obtained from your local authority.

Customer Service

- Repairs must be carried out by authorised specialists, thus ensuring electrical safety.
- Please contact us or a suitably qualified electrician.
- Improper repairs could lead to danger to the user.

Warranty does not cover damage or failure which results from alteration, accident, misuse, abuse, neglect, commercial use or improper maintenance. In line with our policy of continuous product development we reserve the right to change the product and documentation specifications without notice.



Heat Outdoors

Unit 9, Stort Valley Industrial Estate
Stansted Road, Bishop's Stortford
Hertfordshire, United Kingdom
CM23 2TU

www.heat-outdoors.co.uk

01279 466500

info@heat-outdoors.co.uk