

Tribune HE Slimline

Unvented Hot Water Cylinders



Thanks to the new Tribune HE Slimline from Range Cylinders, many older homes, despite their original design limitations, can now enjoy the benefits of having an unvented cylinder, which are typically around 550mm in diameter.

The new family of Tribune HE Slimline cylinders have a nominal diameter of only 478mm and come in a range of sizes from 60 litres to 210 litres in both Indirect and Direct versions.

This reduced cylinder diameter means that houses that previously could not enjoy mains pressure hot water (and balanced cold) can now enjoy the benefits of modern style showers, aerated mixer taps etc. for the first time.

All the endurance and performance characteristics that have made Tribune HE a market favourite - now available in Slimline.

Now that fits the bill!

Kingspan Renewables: Range Cylinders

Tadman Street, Wakefield, West Yorkshire WF1 5QU

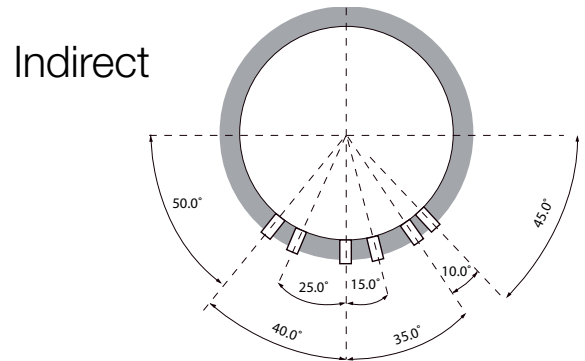
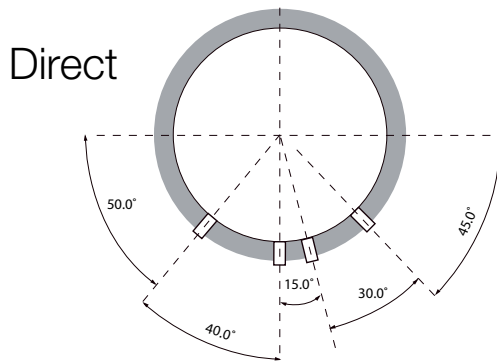
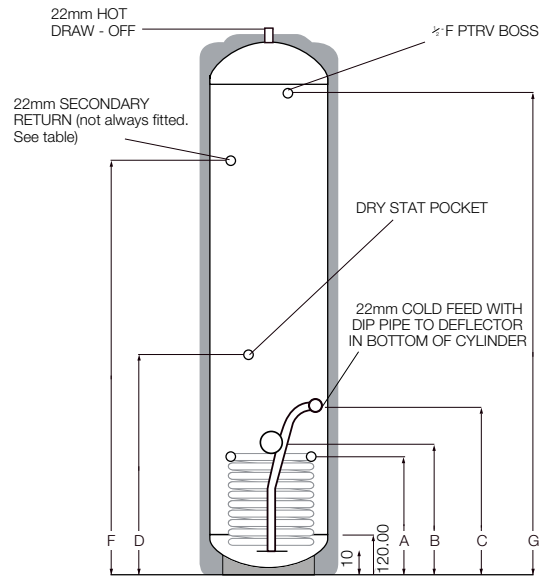
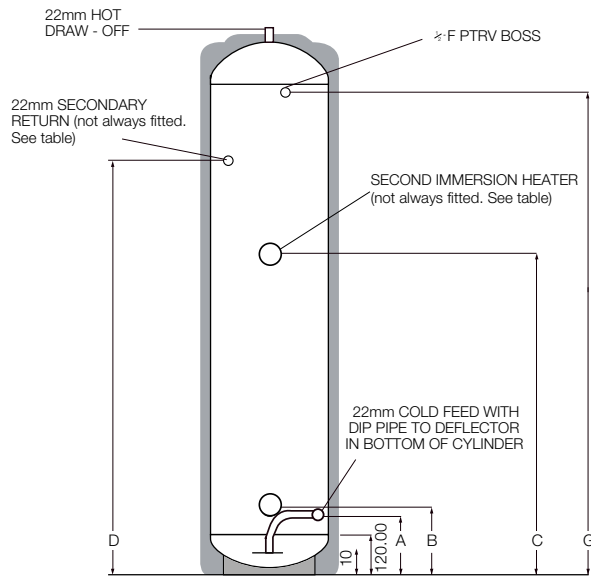
T: 0845 260 0258 F: 0845 260 0259

www.range-cylinders.co.uk, www.kingspan-renewables.co.uk



Technical specifications

SLIMLINE UNITS



Direct

CODE	CAPACITY (Litres)	HEIGHT	DIAMETER	A	B	C	D	G	WEIGHT (Kg-EMPTY)	WEIGHT (Kg-FULL)
TDS60	60	673	478	175	210	N/A	N/A	483	34	94
TDS90	90	1048	478	175	210	610	N/A	858	43	133
TDS120	120	1236	478	175	210	710	N/A	1046	52	172
TDS150	150	1424	478	175	210	810	N/A	1234	60	210
TDS180	180	1647	478	175	210	910	N/A	1484	68	248
TDS210	210	1987	478	175	210	1110	1500	1797	74	284

Indirect

CODE	CAPACITY (Litres)	HEIGHT	DIAMETER	A	B	C	D	F	G	WEIGHT (Kg-EMPTY)	WEIGHT (Kg-FULL)
TIS60	60	673	478	340	380	440	395	N/A	483	40	100
TIS90	90	1048	478	340	380	440	395	N/A	858	50	140
TIS120	120	1236	478	340	380	440	395	N/A	1046	58	178
TIS150	150	1424	478	380	420	520	520	N/A	1234	66	216
TIS180	180	1647	478	380	420	520	610	N/A	1484	74	254
TIS210	210	1987	478	380	420	520	710	1500	1797	82	292

N/F = not fitted.

All Dimensions are in mm and are of the cased unit.

Technical Helpline: 0845 812 0007 Fax: 0845 812 0008

Customer Service: 0845 260 7260 Fax: 0845 260 7261

