

# DRYER INSTALLATION INSTRUCTIONS

737 mm (29") Wide Models – Gas & Electric

## INSTRUCTIONS D'INSTALLATION DU SECHE-LINGE

Modèles de 737 mm (29") de largeur – À gaz et Électrique

## INSTRUCCIONES DE INSTALACIÓN DE LA SECADORA

Modelos de 737 mm (29") – A gas y eléctrica

## ISTRUZIONI DI INSTALLAZIONE DELL'ASCIUGATRICE

Modelli da 737 mm (29") – A gas ed elettrici

## TROCKNER – INSTALLATIONSANWEISUNGEN

737 mm (29 Zoll) breite Modelle – Gas und Elektro

### TABLE OF CONTENTS

DRYER SAFETY .....	2	MAKE GAS CONNECTION.....	13
SPECIFICATIONS.....	4	CONNECT VENT .....	14
INSTALLATION REQUIREMENTS.....	5	LEVEL DRYER.....	14
ELECTRIC DRYER POWER HOOKUP.....	7	POWER CORD INSTALLATION.....	15
INSTALL LEVELING LEGS.....	8	COMPLETE INSTALLATION CHECKLIST .....	15
GAS DRYER POWER HOOKUP .....	8	REVERSE DOOR SWING (OPTIONAL) .....	16
VENTING.....	10	TROUBLESHOOTING .....	18

### TABLE DES MATIÈRES

SÉCURITÉ DU SECHE-LINGE .....	19	RACCORDEMENT AU GAZ.....	32
CARACTÉRISTIQUES.....	21	RACCORDEMENT DU CONDUIT D'ÉVACUATION .....	32
EXIGENCES D'INSTALLATION .....	22	RÉGLAGE DE L'APLOMB DU SECHE-LINGE.....	33
RACCORDEMENT À L'ALIMENTATION ÉLECTRIQUE		INSTALLATION DU CORDON D'ALIMENTATION .....	33
DU SECHE-LINGE ÉLECTRIQUE.....	25	ACHEVER L'INSTALLATION – LISTE DE VÉRIFICATION.....	34
INSTALLATION DES PIEDS DE NIVELLEMENT .....	26	INVERSION DU SENS DE L'OUVERTURE	
RACCORDEMENT D'UN SECHE-LINGE À GAZ.....	26	DE LA PORTE (FACULTATIF) .....	35
L'ÉVACUATION.....	28	DÉPANNAGE .....	37

### ÍNDICE

SEGURIDAD DE LA SECADORA .....	38	CONEXIÓN DEL DUCTO DE ESCAPE.....	52
ESPECIFICACIONES .....	40	NIVELACIÓN DE LA SECADORA.....	52
REQUISITOS DE INSTALACIÓN .....	41	INSTALACIÓN DEL CABLE ELÉCTRICO .....	53
CONEXIÓN DE ENERGÍA DE LA SECADORA ELÉCTRICA.....	44	LISTA DE CONTROL DE LA INSTALACIÓN TERMINADA .....	54
INSTALACIÓN DE LAS PATAS NIVELADORAS.....	45	CAMBIO DEL SENTIDO DE ABERTURA	
CONEXIÓN DE ENERGÍA DE LA SECADORA A GAS .....	46	DE LA PUERTA (OPCIONAL).....	54
VENTILACIÓN .....	48	SOLUCIÓN DE PROBLEMAS.....	57
CONEXIÓN DEL SUMINISTRO DE GAS.....	51		

### SOMMARIO

SICUREZZA DELL'ASCIUGATRICE.....	58	SISTEMA DI SFIATO .....	66
SPECIFICHE .....	60	COLLEGAMENTO ALL'IMPIANTO A GAS.....	69
REQUISITI PER L'INSTALLAZIONE.....	61	COLLEGAMENTO ALLO SFIATO.....	70
ALLACCIAMENTO DELL'ASCIUGATRICE ELETTRICA		MESSA IN PIANO DELL'ASCIUGATRICE.....	70
ALL'ALIMENTAZIONE .....	63	INSTALLAZIONE DEL CAVO DI ALIMENTAZIONE.....	71
INSTALLAZIONE DEI PIEDINI DI MESSA IN PIANO .....	64	COMPILAZIONE DELLA CHECKLIST DI INSTALLAZIONE ...	71
ALLACCIAMENTO DELL'ASCIUGATRICE A GAS		INVERSIONE DELL'APERTURA DELLO SPORTELLO (OPZIONALE) ...	72
ALL'ALIMENTAZIONE.....	64	RISOLUZIONE DEI PROBLEMI.....	74

### INHALTSVERZEICHNIS

SICHERHEIT DES TROCKNERS.....	75	GASANSCHLUSS HERSTELLEN .....	86
SPEZIFIKATIONEN .....	77	ENTLÜFTUNGS ANSCHLIESSEN.....	87
INSTALLATIONSANFORDERUNGEN .....	78	TROCKNER NIVELLIEREN.....	87
ELEKTROTROCKNER – ELEKTRISCHER ANSCHLUSS .....	80	INSTALLATION DES NETZKABELS.....	88
STELLFÜSSE INSTALLIEREN.....	81	KOMPLETTE INSTALLATIONS-CHECKLISTE.....	88
GASTROCKNER – ELEKTRISCHER ANSCHLUSS.....	81	TÜRANSCHLAG WECHSELN (OPTIONAL).....	89
ENTLÜFTUNGSSYSTEM .....	83	FEHLERBEHEBUNG .....	91

## DRYER SAFETY

### Your safety and the safety of others are very important.

We have provided many important safety messages in this manual and on your appliance. Always read and obey all safety messages.



This is the safety alert symbol.

This symbol alerts you to potential hazards that can kill or hurt you and others.

All safety messages will follow the safety alert symbol and either the word “DANGER” or “WARNING.” These words mean:

 **DANGER**

You can be killed or seriously injured if you don't immediately follow instructions.

 **WARNING**

You can be killed or seriously injured if you don't follow instructions.

All safety messages will tell you what the potential hazard is, tell you how to reduce the chance of injury, and tell you what can happen if the instructions are not followed.



### **WARNING - “Risk of Fire”**

- Clothes dryer installation must be performed by a qualified installer.
- Install the clothes dryer according to the manufacturer's instructions and local codes.
- Do not install a clothes dryer with flexible plastic venting materials or flexible metal (foil type) duct. If flexible metal duct is installed, it must be of a specific type identified by the appliance manufacturer as suitable for use with clothes dryers. Flexible venting materials are known to collapse, be easily crushed, and trap lint. These conditions will obstruct clothes dryer airflow and increase the risk of fire.
- To reduce the risk of severe injury or death, follow all installation instructions.
- Save these instructions.



### **CAUTION – RISK OF FIRE/FLAMMABLE MATERIALS**

This is an additional safety alert symbol that alerts you to the risk of fire.

#### **WARNING**

##### **Fire Hazard**

**Failure to follow safety warnings exactly could result in serious injury, death, or property damage.**

**Do not install a booster fan in the exhaust duct.**


**Install all clothes dryers in accordance with the installation instructions of the manufacturer of the dryer.**

## FOR YOUR SAFETY

1. DO NOT USE OR STORE PETROL OR OTHER FLAMMABLE MATERIALS IN THIS APPLIANCE OR NEAR THIS APPLIANCE.
2. DO NOT SPRAY AEROSOLS IN THE VICINITY OF THIS APPLIANCE WHILE IT IS IN OPERATION.
3. DO NOT MODIFY THIS APPLIANCE.

## IMPORTANT SAFETY INSTRUCTIONS

**WARNING:** To reduce the risk of fire, electric shock, or injury to persons when using the dryer, follow basic precautions, including the following:

- Read all instructions before using the dryer. 
- Keep a minimum clearance of 100 mm (4 in.) between the rear of the dryer and any wall.
- The operation of this appliance may affect the operation of other types of appliances which take their air supply for safe combustion from the same room. There has to be adequate ventilation to replace exhausted air and thus avoid the back-flow of gases into the room from appliances burning other fuels, including open fires, when operating the tumble dryer. If in doubt, consult the appliance manufacturers.
- Do not obstruct the air supply to the dryer (see Installation Instructions for minimum clearances).
- Do not place items exposed to cooking oils in your dryer. Oil-affected items can ignite spontaneously, especially when exposed to heat sources such as in a tumble dryer. The items become warm causing an oxidation reaction in the oil. Oxidation creates heat. If the heat cannot escape, the items can become hot enough to catch fire. Piling, stacking or storing oil-affected items can prevent heat from escaping and so create a fire hazard.
- If it is unavoidable to dry in the dryer items that have been soiled with substances such as cooking oil, acetone, alcohol, petrol, kerosene, spot removers, turpentine, waxes and wax removers, or that have been contaminated by hair care products, they should be washed in hot water with an extra amount of detergent before being dried in the dryer. These items may give off vapours that could ignite or explode. Such washing will reduce, but not eliminate, the hazard.
- This appliance is not intended for use by persons (including children under 8 years of age) with reduced physical, sensory or mental capabilities, or lack of experience and knowledge, unless they have been given supervision or instructions concerning use of the appliance by persons responsible for their safety.
- Cleaning and user maintenance by children must be supervised.
- Children should be supervised to ensure that they do not play with the appliance.
- Children less than 3 years of age should be kept away from the appliance unless continuously supervised.
- The dryer should not be used if industrial chemicals have been used for cleaning.
- Remove all objects from pockets, such as lighters and matches, before placing items in the dryer.
- Before the dryer is removed from service or discarded, remove the doors to the drying compartment.
- Do not reach into the dryer if the drum is moving. A door switch is fitted for your safety.
- Do not install or store the dryer where it will be exposed to the weather.
- Do not tamper with controls.
- Do not continue to use this appliance if it appears to be faulty.
- Do not repair or replace any part of the dryer or attempt any maintenance unless specifically recommended in the Use and Care Guide. Repairs and servicing should only be carried out by competent service personnel.
- Do not use fabric softeners or products to eliminate static unless recommended by the manufacturer of the fabric softener or product. Follow their instructions.
- Clean dryer lint screen before or after each load. Do not operate dryer without lint screen in place.
- Keep area around the exhaust and inlet openings and adjacent surrounding areas free from the accumulation of lint, dust, and dirt.
- The interior of the dryer and exhaust vent should be cleaned periodically by qualified service personnel.
- See “Electrical Requirements” for earthing instructions.
- Do not dry unwashed items in this dryer.
- The final part of a tumble dryer cycle occurs without heat (cool down cycle) to ensure that the items are left at a temperature that ensures the items will not be damaged.
- Items such as foam rubber (latex foam), shower caps, waterproof textiles, rubber backed articles, and clothes or pillows fitted with foam rubber pads must only be dried on a clothesline.
- If the supply cord is damaged, it must be replaced by the manufacturer or its service agent or a similarly qualified person in order to avoid a hazard.

**WARNING:** Never stop a tumble dryer cycle before the end of the drying cycle unless all items are quickly removed and spread out so that the heat is dissipated.

**SAVE THESE INSTRUCTIONS**



This appliance is marked according to the European directive 2012/19/EU on Waste Electrical and Electronic Equipment (WEEE).

By ensuring this product is disposed of correctly, you will help avoid potential negative consequences for the environment and human health, which could otherwise be caused by inappropriate waste handling of this product.

The symbol on the product, or on the documents accompanying the product, indicates that this appliance may not be treated as household waste. Instead it shall be handed over to the applicable collection point for the recycling of electrical and electronic equipment.

Disposal must be carried out in accordance with local environmental regulations for waste disposal.

For more detailed information about treatment, recovery and recycling of this product, please contact your local city office, your household waste disposal service or the shop where you purchased the product.

### IMPORTANT SAFETY INSTRUCTIONS

When discarding or storing your old clothes dryer, remove the door.

**SAVE THESE INSTRUCTIONS**

---

## SPECIFICATIONS

These units are sold in multiple regions with different requirements for measuring capacity. Below are a few of the valid forms of measure posted on this product:

**Dry Linen Capacity:** A weight measure that reflects a maximum load size that can be loaded into the dryer.

**IEC Capacity:** The capacity measure that represents the maximum capacity of dry linens and textiles which the manufacturer declares can be treated in a specific cycle.

<b>Dry Linen Capacity</b>
15 kg (33 lb)

<b>IEC Capacity</b>
7 kg (15 lb)

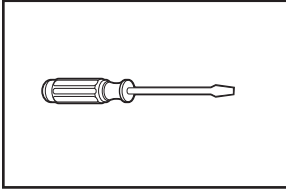


# INSTALLATION REQUIREMENTS

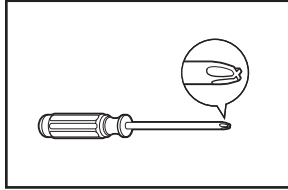
## Tools and Parts

Gather the required tools and parts before starting installation.

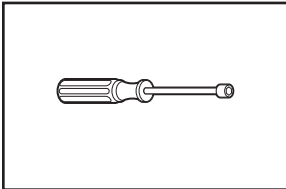
### Tools needed for all installations:



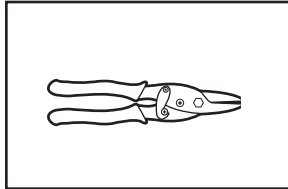
Flat-blade screwdriver



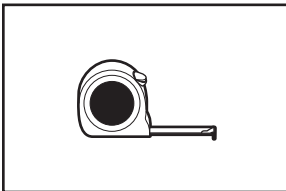
#2 Phillips screwdriver



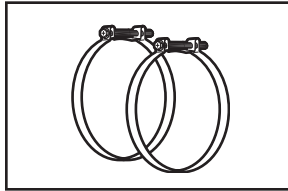
6 mm (1/4") nut driver or socket wrench (recommended)



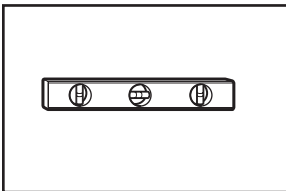
Tin snips (new vent installations)



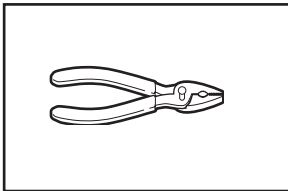
Tape measure



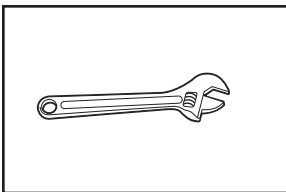
Vent clamps



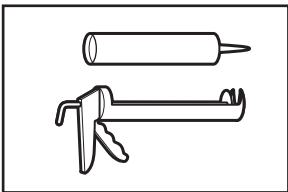
Level



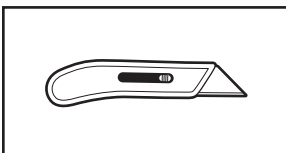
Pliers



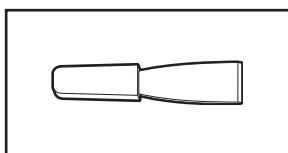
Adjustable wrench that opens to 25 mm (1") or hex-head socket wrench



Caulking gun and compound (for installing new exhaust vent)

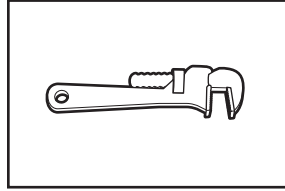


Utility knife

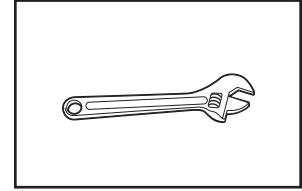


Putty knife

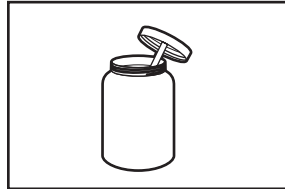
### Tools needed for gas installations:



203 mm or 254 mm (8" or 10") pipe wrench

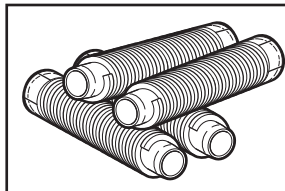


203 mm or 254 mm (8" or 10") adjustable wrench (for gas connections)

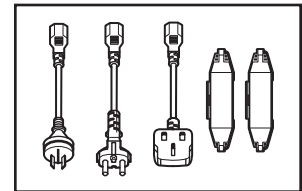


Pipe-joint compound resistant to LP gas

### Parts supplied:



Leveling legs (4)



Plugs and cord lock cover (supplied with some models only)

Parts package is located in dryer drum. Check that all parts are included.

### Parts needed:

Check local codes. Check existing electrical supply and venting. See "Electrical Requirements" and "Venting Requirements" before purchasing parts.

Check code requirements. Some codes limit, or do not permit, installing dryer in garages, closets, mobile homes, or sleeping quarters. Contact your local building inspector.

### Optional Equipment: (Not supplied with dryer)

Refer to your Use and Care Guide for information about accessories available for your dryer.

## Location Requirements

### **⚠ WARNING**



#### Explosion Hazard

Keep flammable materials and vapors, such as petrol, away from dryer.

Do not install in a garage.

Failure to do so can result in death, explosion, or fire.

#### You will need:

- A location allowing for proper exhaust installation. See "Venting Requirements."
- A separate 30-amp circuit for electric dryers.
- A separate 15- or 20-amp circuit for gas dryers.
- If you are using power supply cord, a grounded electrical outlet located within 610 mm (2 ft.) of either side of dryer.
- See "Electrical Requirements."
- A sturdy floor to support dryer and a total weight (dryer and load) of 90.7 kg. (200 lbs). The combined weight of a companion appliance should also be considered.
- Level floor with maximum slope of 25 mm (1") under entire dryer. If slope is greater than 25 mm (1"), install Extended Dryer Feet Kit, Part Number 279810. If not level, clothes may not tumble properly and automatic sensor cycles may not operate correctly.

Do not operate your dryer at temperatures below 7°C (45°F). At lower temperatures, the dryer might not shut off at the end of an automatic cycle. Drying times can be extended.

The dryer must not be installed or stored in an area where it will be exposed to water and/or weather.

Check code requirements. Some codes limit, or do not permit, installation of the dryer in garages, closets, mobile homes, or sleeping quarters. Contact your local building inspector.

**NOTE:** No other fuel-burning appliance can be installed in the same closet as a dryer.

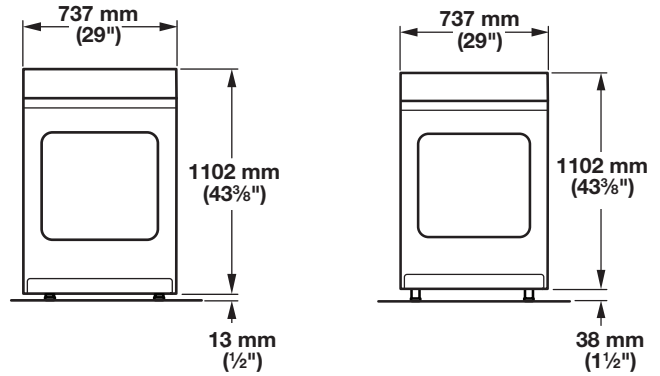
#### Installation clearances:

The location must be large enough to allow the dryer door to open fully.

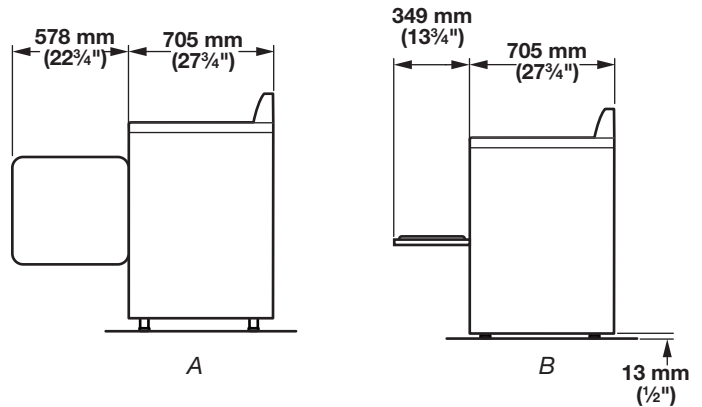
Do not install behind a lockable door, a sliding door, or a door with a hinge on the side opposite to that of the dryer in a way that will restrict the full opening of the dryer door.

Most installations require a minimum 140 mm (5½") clearance behind the dryer for the exhaust vent with elbow. See "Venting Requirements."

## Dryer Dimensions

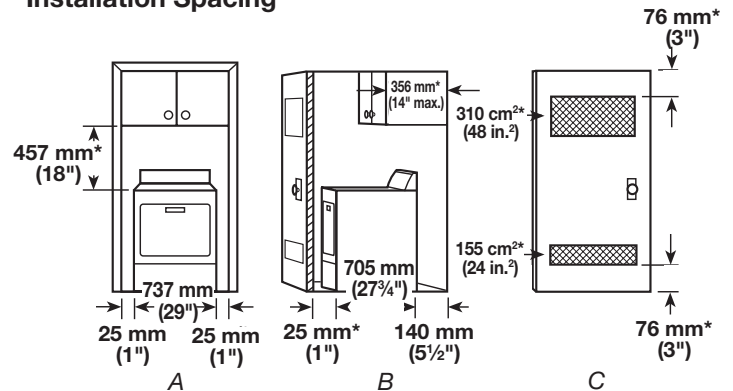


**NOTE:** Leveling legs should be 13 mm (1/2") (to match height of 0.102 m³ [3.6 cu. ft.] capacity washer) or 38 mm (1½") (to match height of 0.108 m³ [3.8 cu. ft.] capacity washer).



A. Wide-opening side-swing door  
B. Wide-opening hamper door

## Installation Spacing



A. Recessed area  
B. Side view – closet or confined area  
C. Closet door with vents

\*Required spacing

### Installation spacing for recessed area or closet

The dimensions shown are for the minimum spacing allowed.

- Additional spacing should be considered for ease of installation and servicing.
- Additional clearances might be required for wall, door, and floor moldings.
- Additional spacing of 25 mm (1") on all sides of the dryer is recommended to reduce noise transfer.
- For closet installation, with a door, minimum ventilation openings in the top and bottom of the door are required. Louvered doors with equivalent ventilation openings are acceptable.
- Companion appliance spacing should also be considered.

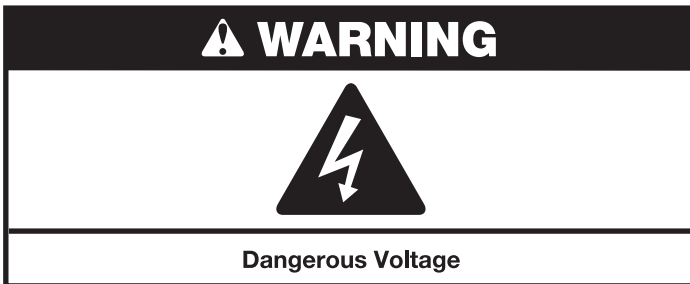
### Mobile home – Additional installation requirements

This dryer is suitable for mobile home installations. The installation must conform with local codes and ordinances.

- Metal exhaust system hardware, available for purchase.
- Special provisions must be made in mobile homes to introduce outside air into the dryer. The opening (such as a nearby window) should be at least twice as large as the dryer exhaust opening.

## ELECTRIC DRYER POWER HOOKUP

### Electrical Requirements

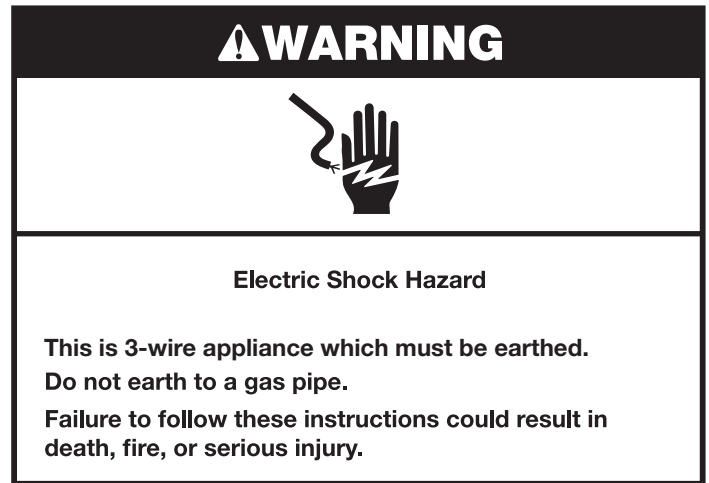


This dryer is supplied without an electric cord and plug. It must be connected by a competent electrician to a single-phase electricity supply at the voltage shown on the dataplate, using a suitable fixed wiring installation in accordance with local and national wiring regulations.

- A 3-wire circular cord of minimum conductor size 4 mm<sup>2</sup> cross-section area should be used.
- A 30A supply fuse should be used, and a switch having a contact separation in both poles that provides full disconnection under over-voltage category III conditions must be incorporated into the fixed wiring in accordance with local wiring regulations. The dryer should be positioned so that the disconnection switch is clearly visible and easily accessible to the user. This disconnection switch also provides the function of an emergency stop control for the user.
- A cord clamp bush is provided on the dryer and should be tightened on completion of wiring. The electrical mains terminals are located behind the small rear access panel (terminal block cover), and connections should be made in accordance with the terminal markings. Remember to replace the terminal access panel (terminal block cover).

**NOTE:** In accordance with the European EMC Directive (2004/108/EC), the maximum electricity supply system impedance to which the electric dryer should be connected is declared to be 0.054 Ohm + j0.034 Ohm.

**NOTE:** Electrical safety standards: The manufacturer has chosen compliance with IEC/EN.60335 standards as the most appropriate for this product.



If codes permit and an additional earth bond wire is used, it is recommended that a qualified electrician determine that the earth bond path is adequate.

### Recommended earthing method

It is your responsibility to contact a qualified electrical installer to ensure that the electrical installation is adequate and in conformance with all local codes and ordinances.

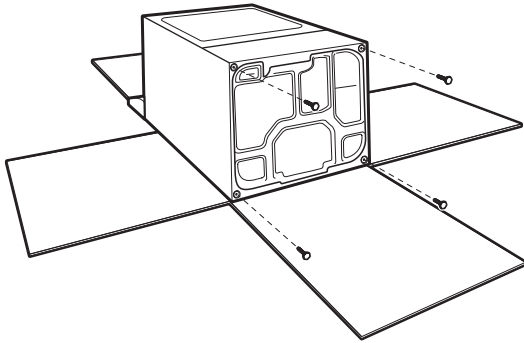
## INSTALL LEVELING LEGS

### **⚠ WARNING**

#### **Excessive Weight Hazard**

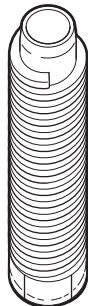
Use two or more people to move and install dryer.  
Failure to do so can result in back or other injury.

### 1. Prepare dryer for leveling legs



To avoid damaging floor, use a large flat piece of cardboard from dryer carton; place under entire back edge of dryer. Firmly grasp dryer body (not console panel) and gently lay dryer down on cardboard.

### 2. Screw in leveling legs

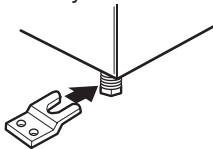


Using a wrench and tape measure, screw legs into leg holes until bottom of foot is approximately 13 mm (1/2") (to match height of 0.102 m<sup>3</sup> [3.6 cu. ft.] capacity washer) or 38 mm (1 1/2") (to match height of 0.108 m<sup>3</sup> [3.8 cu. ft.] capacity washer) from bottom of dryer.

Now stand the dryer on its legs. Slide the dryer until it is close to its final location. Leave enough room for electrical connection and to connect the exhaust vent.

#### **For mobile home use**

Gas dryers must be securely fastened to the floor.



Mobile home installations require a Mobile Home Installation Hold-down Kit. For ordering information, please reference the Use and Care Guide.

## GAS DRYER POWER HOOKUP

### Gas Supply Requirements

### **⚠ WARNING**



#### **Explosion Hazard**

Use a new CSA International approved gas supply line.

Install a shut-off valve.

Securely tighten all gas connections.

If connected to LP, have a qualified person make sure gas pressure does not exceed 330 mm (13") water column.

Examples of a qualified person include:

licensed heating personnel,

authorized gas company personnel, and

authorized service personnel.

Failure to do so can result in death, explosion, or fire.

#### **Gas type**

##### **Natural gas:**

This dryer is equipped for use with Natural Gas. It is design-certified by CSA International for LP (propane or butane) gases with appropriate conversion.

- Your dryer must have the correct burner for the type of gas in your home. Burner information is located on the rating plate in the door well of your dryer.

##### **LP gas conversion:**

**Conversion must be made by a qualified technician.**

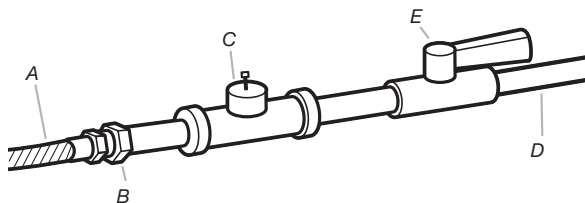
No attempt shall be made to convert the dryer from the gas specified on the model/serial rating plate for use with a different gas without consulting the serving gas supplier.

**IMPORTANT:** The gas installation must conform with local codes.

## Gas supply line

- 13 mm (1/2") NPT pipe is recommended.
- 9.5 mm (3/8") approved tubing is acceptable for lengths under 6.1 m (20 ft.) if local codes and gas supplier permit.
- Must include 3.2 mm (1/8") NPT minimum plugged tapping accessible for test gauge connection, immediately upstream of the gas connection to the dryer (see illustration).
- Must include a shut-off valve.

The shut-off valve location should be easy to reach for opening and closing.



- A. 9.5 mm (3/8") flexible gas connector
- B. 9.5 mm (3/8") pipe to flare adapter fitting
- C. 3.2 mm (1/8") NPT minimum plugged tapping
- D. 13 mm (1/2") NPT gas supply line
- E. Gas shut-off valve

## Gas supply connection requirements

There are many methods by which your gas dryer can be connected to the gas supply. Listed here are some guidelines for two different methods of connection.

This dryer must be connected to the gas supply line with a listed flexible gas connector that complies with the standard for connectors for gas appliances, CSA 6.10.

### Option 1 (Recommended Method)

Flexible stainless steel gas connector:

- If local codes permit, use a new flexible stainless steel gas connector (Design Certified by CSA International) to connect your dryer to the rigid gas supply line. Use an elbow and a 9.5 mm (3/8") flare x 9.5 mm (3/8") NPT adapter fitting between the stainless steel gas connector and the dryer gas pipe, as needed, to prevent kinking.

### Option 2 (Alternate Method)

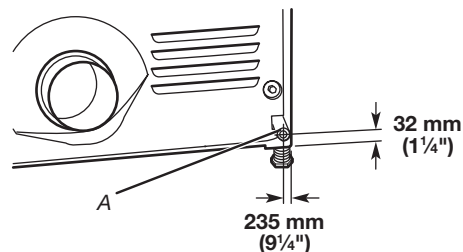
Approved aluminum or copper tubing:

- Lengths over 6.1 m (20 ft.) can use 9.5 mm (3/8") approved tubing (if codes and gas supplier permit).
- If you are using Natural Gas, do not use copper tubing.
- 9.5 mm (3/8") flare x 9.5 mm (3/8") NPT adapter fitting between dryer pipe and 9.5 mm (3/8") approved tubing.
- Lengths over 6.1 m (20 ft.) should use larger tubing and a different size adapter fitting.
- If your dryer has been converted to use LP gas, 9.5 mm (3/8") LP compatible copper tubing can be used. If the total length of the supply line is more than 6.1 m (20 ft.), use larger pipe.

**NOTE:** Pipe joint compounds that resist the action of LP gas must be used. Do not use TEFLON<sup>†</sup> tape.

## Dryer gas pipe

- The gas pipe that comes out through the rear of your dryer has a 9.5 mm (3/8") male pipe thread.



A. 9.5 mm (3/8") NPT dryer pipe

## Burner input requirements

### Elevations up to 3,048 m (10,000 ft.):

- The design of this dryer is certified by CSA International for use at altitudes up to 3,048 m (10,000 ft.) above sea level at the BTU rating indicated on the model/serial number plate. Burner input adjustments are not required when the dryer is operated up to this elevation.

### Elevations above 3,048 m (10,000 ft.):

- When installed above 3,048 m (10,000 ft.), a 4% reduction of the burner BTU rating shown on the model/serial number plate is required for each 305 m (1,000 ft.) increase in elevation.

### Gas supply pressure testing

- The dryer must be disconnected from the gas supply piping system during pressure testing at pressures greater than 352 kg/m<sup>2</sup> (1/2 psi).

<sup>†</sup>TEFLON is a registered trademark of Chemours.

## Electrical Requirements

### ⚠ WARNING



#### Electrical Shock Hazard

**Plug into an earthed plug socket outlet.**

**Do not remove earth pin.**

**Do not use an adaptor.**

**Do not use an extension cord.**

**Failure to follow these instructions can result in death, fire, or electrical shock.**

- 120-Volt, 60-Hz., AC-only, 15- or 20-amp fused electrical supply is required. A time-delay fuse or circuit breaker is recommended. It is also recommended that a separate circuit serving only this dryer be provided.

### EARTHING INSTRUCTIONS

- For an earthed cord-connected dryer: This dryer must be earthed. In the event of a malfunction or breakdown, grounding will reduce the risk of electric shock by providing a path of least resistance for electric current. This dryer is equipped with a cord having an equipment-earthing conductor and a earthing plug. The plug must be plugged into an appropriate outlet that is properly installed and earthed in accordance with all local codes and ordinances.

**WARNING:** Improper connection of the equipment-earthing conductor can result in a risk of electric shock. Check with a qualified electrician or service representative or personnel if you are in doubt as to whether the dryer is properly earthed. Do not modify the plug provided with the dryer: if it will not fit the outlet, have a proper outlet installed by a qualified electrician.

**SAVE THESE INSTRUCTIONS**

## VENTING

### Venting Requirements

### ⚠ WARNING



#### Fire Hazard

**Use a heavy metal vent.**

**Do not use a plastic vent.**

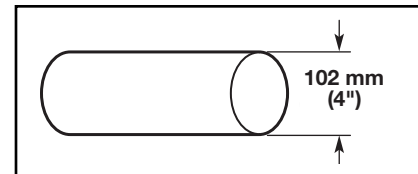
**Do not use a metal foil vent.**

**Failure to follow these instructions can result in death or fire.**

**WARNING:** To reduce the risk of fire, this dryer **MUST BE EXHAUSTED OUTDOORS.**

**IMPORTANT:** Observe all governing codes and ordinances.

Dryer exhaust must not be connected into any gas vent, chimney, wall, ceiling, attic, crawlspace, or a concealed space of a building. Only rigid or flexible metal vent shall be used for exhausting.



102 mm (4") heavy metal exhaust vent

- Only a 102 mm (4") heavy metal exhaust vent and clamps may be used.
- Do not use plastic or metal foil vent.

#### Rigid metal vent:

- Recommended for best drying performance and to avoid crushing and kinking.

#### Flexible metal vent: (Acceptable only if accessible to clean)

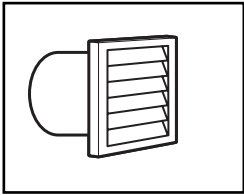
- Must be fully extended and supported in final dryer location.
- Remove excess to avoid sagging and kinking that may result in reduced airflow and poor performance.
- Do not install in enclosed walls, ceilings, or floors.
- The total length should not exceed 2.4 m (7<sup>3</sup>/<sub>4</sub> ft.).

**NOTE:** If using an existing vent system, clean lint from entire length of the system and make sure exhaust hood is not plugged with lint. Replace plastic or metal foil vents with rigid metal or flexible metal vents. Review "Vent System Chart" and, if necessary, modify existing vent system to achieve best drying performance.

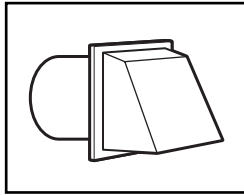
**Exhaust hoods:**

- Must be at least 305 mm (12") from ground or any object that may obstruct exhaust (such as flowers, rocks, bushes, or snow).

**Recommended Styles:**

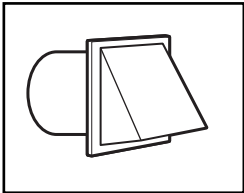


Louvered hood



Box hood

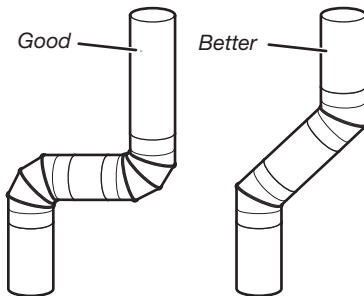
**Acceptable Style:**



Angled hood

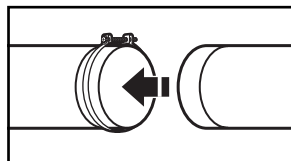
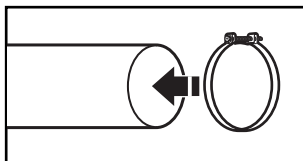
**Elbows:**

- 45° elbows provide better airflow than 90° elbows.



**Clamps:**

- Use clamps to seal all joints.
- Exhaust vent must not be connected or secured with screws or other fastening devices that extend into interior of duct and catch lint. Do not use duct tape.



**Improper venting can cause moisture and lint to collect indoors, which may result in:**

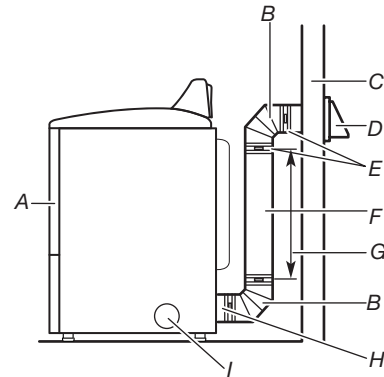
- Moisture damage to woodwork, furniture, paint, wallpaper, carpets, etc.
- Housecleaning problems and health problems.

See "Venting Kits" for more information.

**Plan Vent System**

**Recommended exhaust installations**

Typical installations vent the dryer from the rear of the dryer. Other installations are possible.



- A. Dryer
- B. Elbow
- C. Wall
- D. Exhaust hood
- E. Clamps
- F. Rigid metal or flexible metal vent
- G. Vent length necessary to connect elbows
- H. Exhaust outlet
- I. Optional side exhaust outlet

**⚠ WARNING**

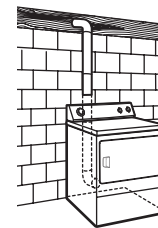


**Fire Hazard**

**Cover unused exhaust holes with a manufacturer's exhaust cover kit.**

**Contact your local dealer.**

**Failure to follow these instructions can result in death, fire, electrical shock, or serious injury.**

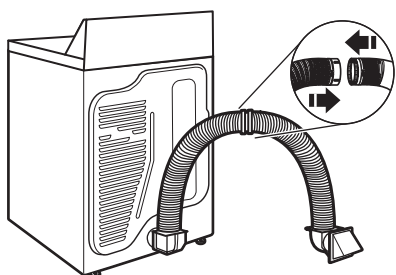


Standard rear offset exhaust installation

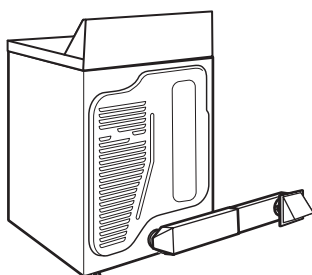


## Alternate installations for close clearances

Venting systems come in many varieties. Select the type best for your installation. Two close-clearance installations are shown. Refer to the manufacturer's instructions.



Over-The-Top installation (also available with one offset elbow)



Periscope installation

**NOTE:** The following kits for close clearance alternate installations are available for purchase.

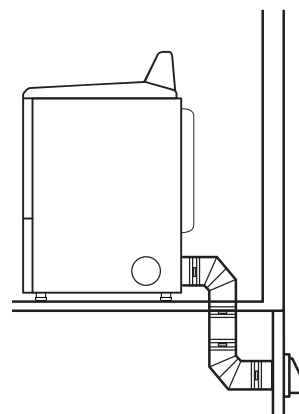
## Venting Kits

For more information, visit us at [www.applianceaccessories.com](http://www.applianceaccessories.com) or contact the dealer from whom you purchased your dryer or an authorized service company.

Part Number	Descriptions
8171587RP	0–5" Metal vent periscope
4396037RP	0"–18" Metal vent periscope
4396011RP	18"–29" Metal vent periscope
4396014	29"–50" Metal vent periscope
4392892	In-Wall metal DuraVent™ Periscope
4396028	Sure Connect™ venting kit (over-the-top installation)
4396009RP	5' Universal connect vent, flexible dryer venting
4396010RP	6' SecureConnect™ vent, flexible dryer venting
4396013RB	Dryer vent installer's kit
4396033RP	5' flexible dryer venting with clamps
4396727RP	8' flexible dryer venting with clamps
4396004	Dryer offset elbow
4396005	Wall offset elbow
4396006RW	DuraSafe™ close elbow
4396007RW	Through-the-wall vent cap
4396008RP	4" steel dryer venting clamps – 2 pack
8212662	Flush-mounting louvered vent hood 4"

## Special provisions for mobile home installations:

The exhaust vent must be securely fastened to a noncombustible portion of the mobile home structure and must not terminate beneath the mobile home. Terminate the exhaust vent outside.



### Determine vent path:

- Select route that will provide straightest and most direct path outdoors.
- Plan installation to use fewest number of elbows and turns.
- When using elbows or making turns, allow as much room as possible.
- Bend vent gradually to avoid kinking.
- Use as few 90° turns as possible.

### Determine vent length and elbows needed for best drying performance:

- Use following "Vent System Chart" to determine type of vent material and hood combinations acceptable to use.
- NOTE:** Do not use vent runs longer than those specified in "Vent System Chart." Exhaust systems longer than those specified will:
- Shorten life of dryer.
  - Reduce performance, resulting in longer drying times and increased energy usage.

The "Vent System Chart" provides venting requirements that will help achieve best drying performance.

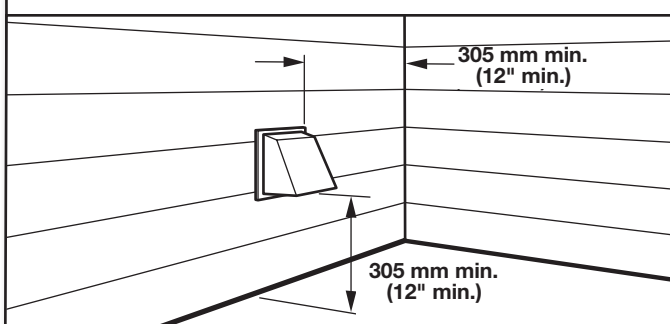
Vent System Chart			
Number of 90° turns or elbows	Type of vent	Box/louvered hoods	Angled hoods
0	Rigid metal	20 m (64 ft.)	17.7 m (58 ft.)
1	Rigid metal	16.5 m (54 ft.)	14.6 m (48 ft.)
2	Rigid metal	13.4 m (44 ft.)	11.6 m (38 ft.)
3	Rigid metal	10.7 m (35 ft.)	8.8 m (29 ft.)
4	Rigid metal	8.2 m (27 ft.)	6.4 m (21 ft.)

## Vent System Chart (Long Vent Models Only)

Number of 90° turns or elbows	Type of vent	Box/louvered, or Angled hoods
0	Rigid metal	36.6 m (120 ft.)
1	Rigid metal	33.5 m (110 ft.)
2	Rigid metal	30.5 m (100 ft.)
3	Rigid metal	27.4 m. (90 ft)
4	Rigid metal	24.4 m. (80 ft)
5	Rigid metal	21.3 m (70 ft.)

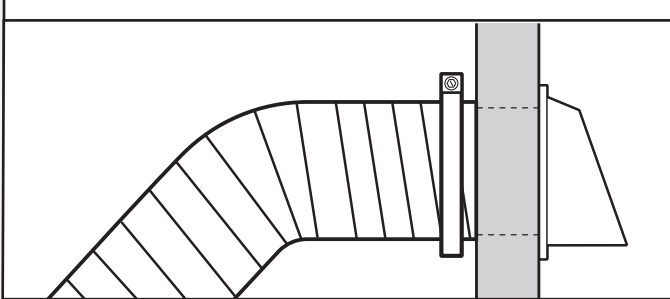
## Install Vent System

### 1. Install exhaust hood



Install exhaust hood and use caulking compound to seal exterior wall opening around exhaust hood.

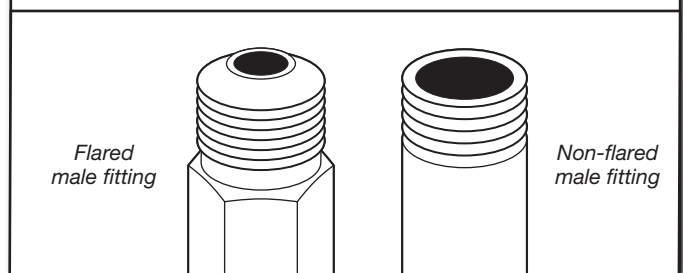
### 2. Connect vent to exhaust hood



Vent must fit over the exhaust hood. Secure vent to exhaust hood with 102 mm (4") clamp. Run vent to dryer location using straightest path possible. Avoid 90° turns. Use clamps to seal all joints. Do not use duct tape, screws, or other fastening devices that extend into interior of vent to secure vent, because they can catch lint.

## MAKE GAS CONNECTION

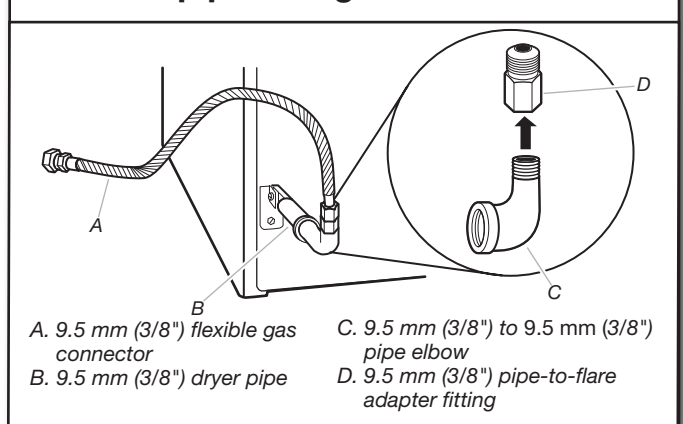
### 1. Connect gas supply to dryer



Remove red cap from gas pipe. Using a wrench to tighten, connect gas supply to dryer. Use pipe-joint compound on threads of all non-flared male fittings. If flexible metal tubing is used, be sure there are no kinks.

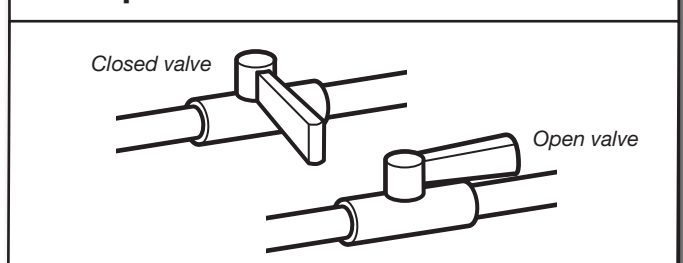
**NOTE:** For LP gas connections, you must use pipe-joint compound resistant to action of LP gas. Do not use TEFLON® tape.

### 2. Plan pipe fitting connection



A combination of pipe fittings must be used to connect dryer to existing gas line. A recommended connection is shown. Your connection may be different, according to supply line type, size, and location.

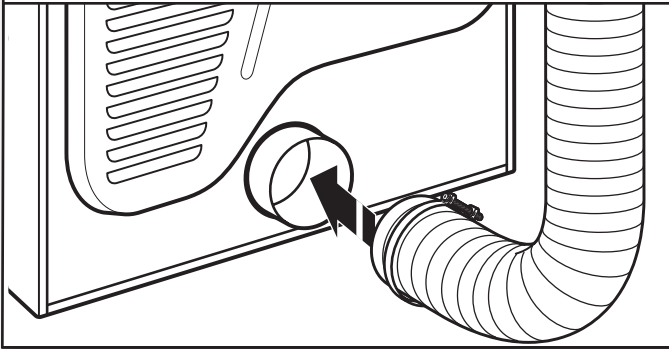
### 3. Open shut-off valve



Open shut-off valve in supply line; valve is open when handle is parallel to gas pipe. Then, test all connections by brushing on an approved noncorrosive leak-detection solution. Bubbles will show a leak. Correct any leaks found.

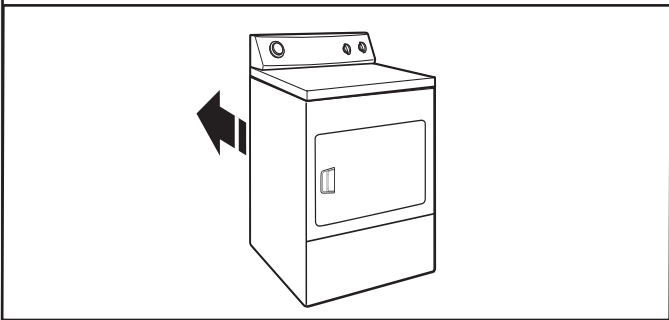
## CONNECT VENT

### 1. Connect vent to exhaust outlet



Using a 102 mm (4") clamp, connect vent to exhaust outlet in dryer. If connecting to existing vent, make sure vent is clean. Dryer vent must fit over dryer exhaust outlet and inside exhaust hood. Check that vent is secured to exhaust hood with a 102 mm (4") clamp.

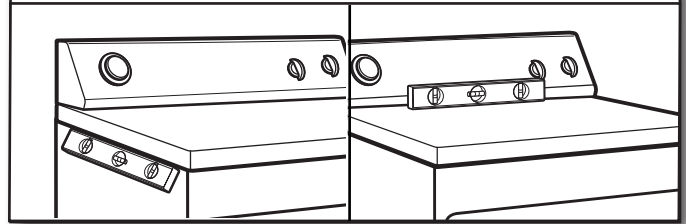
### 2. Move dryer to final location



Move dryer to final location. Avoid crushing or kinking vent. After dryer is in place, remove corner posts and cardboard from under the dryer.

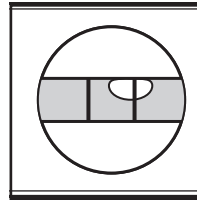
## LEVEL DRYER

### 1. Level dryer

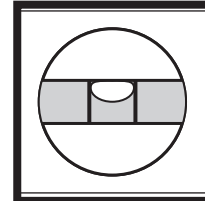


Check levelness of dryer from side to side. Repeat from front to back.

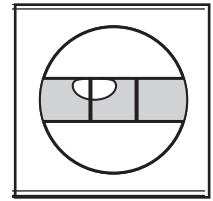
**NOTE:** The dryer must be level for the moisture sensing system to operate correctly.



Not Level

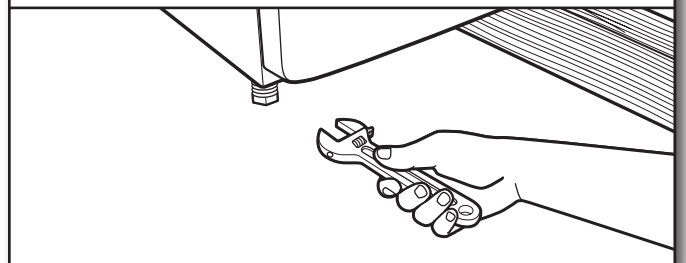


LEVEL



Not Level

### 2. Tighten and adjust leveling legs



If dryer is not level or the same height as the washer, prop up using a wood block. Use wrench to adjust legs up or down and check again for levelness. Once legs are level, make sure all four legs are snug against the floor before tightening them.

# POWER CORD INSTALLATION

## (on some models)

**IMPORTANT:** To be performed by Whirlpool Corporation authorized service personnel only.

### ⚠ WARNING



#### Electrical Shock Hazard

Plug into an earthed plug socket outlet.

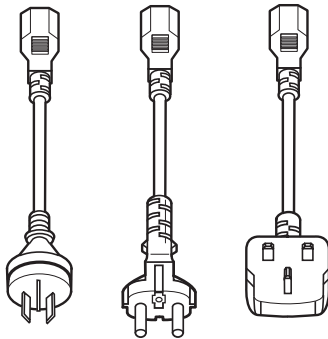
Do not remove earth pin.

Do not use an adaptor.

Do not use an extension cord.

Failure to follow these instructions can result in death, fire, or electrical shock.

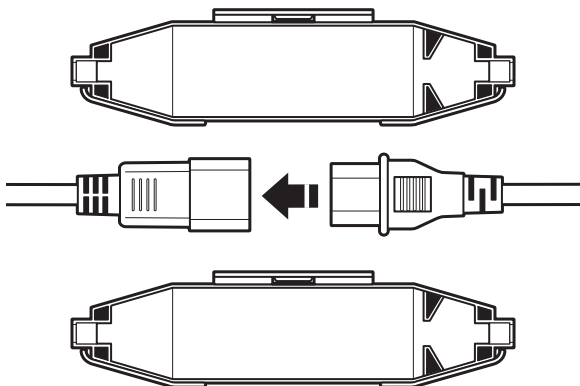
### 1. Select plug



Select the plug that fits with the electric receptacle.

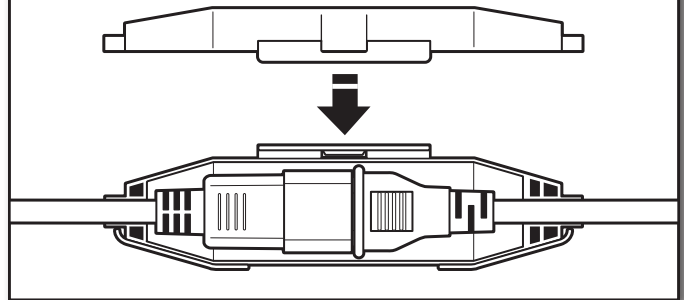
**NOTE:** Plug types and quantities will vary by model.

### 2. Assemble plug



Assemble the plug into the end of the power cord located on the back of the dryer.

### 3. Secure power cord



Secure the power cord by seating the connection on the cord lock. Place the cord lock cover and push until it snaps. Make sure the power cord connection is seated on the cord lock and that the cord lock clamps correctly.

Plug power supply cord into an earthed outlet. Turn power supply on.

## COMPLETE INSTALLATION CHECKLIST

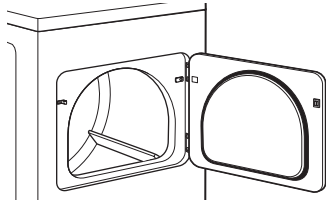
- Check that all parts are now installed. If there is an extra part, go back through steps to see what was skipped.
- Check that you have all of your tools.
- Dispose of/recycle all packaging materials.
- Check dryer's final location. Be sure vent is not crushed or kinked.
- Check that dryer is level. See "Level Dryer."
- Remove film on console and any tape remaining on dryer.
- Wipe dryer drum interior thoroughly with a damp cloth to remove any dust.
- Read "Dryer Use" in your Use and Care Guide.
- Set the dryer on a full heat cycle (not an air cycle) for 20 minutes and start the dryer.

#### If the dryer will not start, check the following:

- Dryer is plugged into an earthed 3-prong outlet.
- Electrical supply is connected.
- Household fuse is intact and tight, or circuit breaker has not tripped.
- Dryer door is closed.
- When the dryer has been running for 5 minutes, open the dryer door and feel for heat. If you feel heat, cancel cycle and close the door.
  - If you do not feel heat, turn the dryer off and check to see whether gas supply line shut-off valve is open.
    - If the gas supply line shut-off valve is closed, open it, then repeat the 5-minute test as outlined above.
    - If the gas supply line shut-off valve is open, contact a qualified technician.

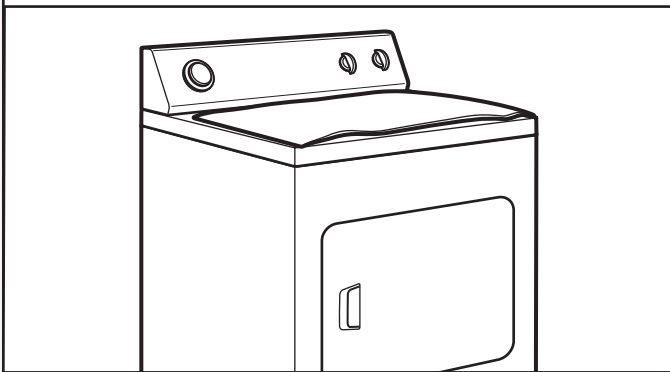
**NOTE:** You may notice an odor when the dryer is first heated. This odor is common when the heating element is first used. The odor will go away.

## REVERSE DOOR SWING (OPTIONAL)



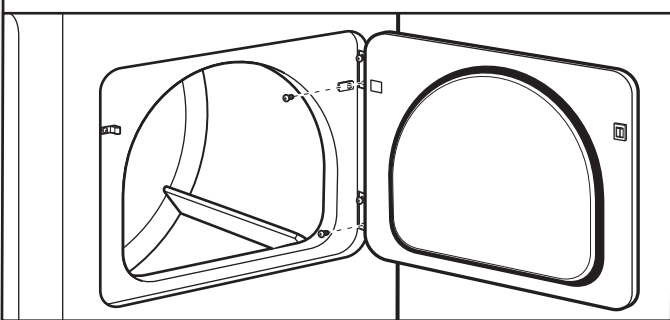
**NOTE:** Magnetized screwdriver is helpful.

### 1. Place towel on dryer



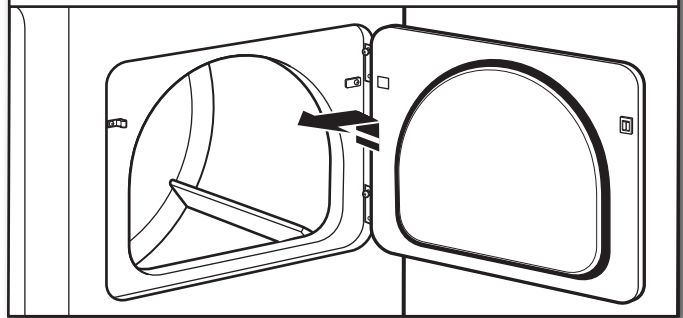
Place towel on top of dryer to avoid damaging the surface.

### 2. Remove bottom screws



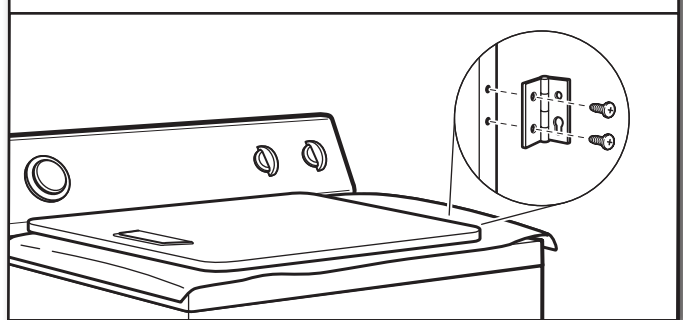
Open dryer door. Remove bottom screws from dryer cabinet side of hinges. Loosen (do not remove) top screws from dryer cabinet side of hinges.

### 3. Lift door off top screws



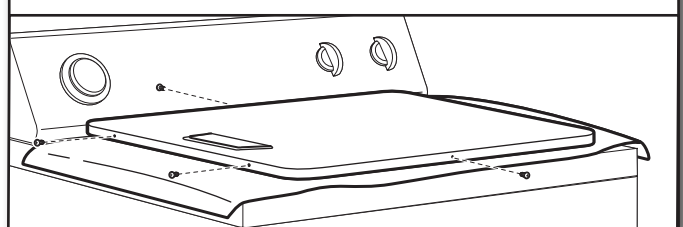
Lift door until top screws in dryer cabinet are in large part of hinge slot. Pull door forward off screws. Set door (handle side up) on top of dryer. Remove top screws from dryer cabinet.

### 4. Remove screws from hinges



Remove screws attaching hinges to door.

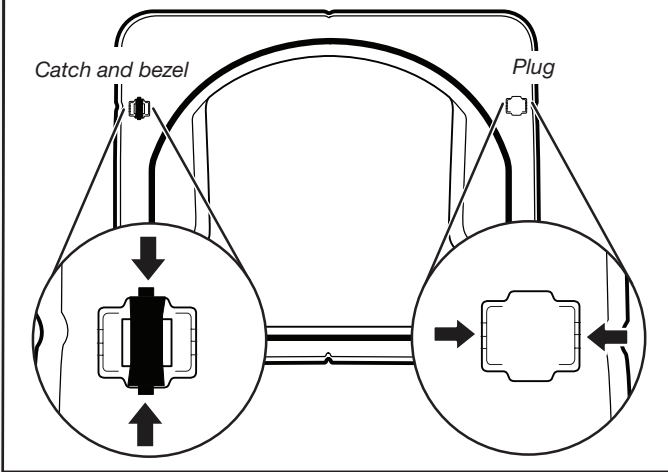
### 5. Remove screws from door



Remove screws at top, bottom, and side of door (4 screws) that hold the inner and outer door together. Holding door over towel on dryer, grasp sides of outer door and lift to separate it from inner door. Set outer door aside.

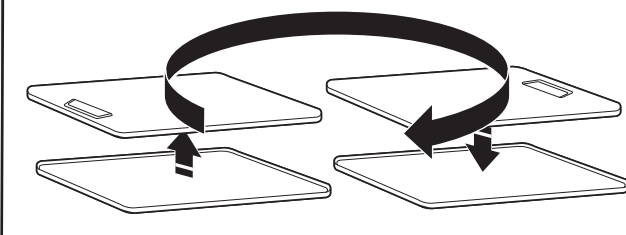
**NOTE:** Do not pry apart with putty knife or screwdriver. Do not pull on door seal or plastic door catches.

## 6. Switch door catch, bezel, and plug



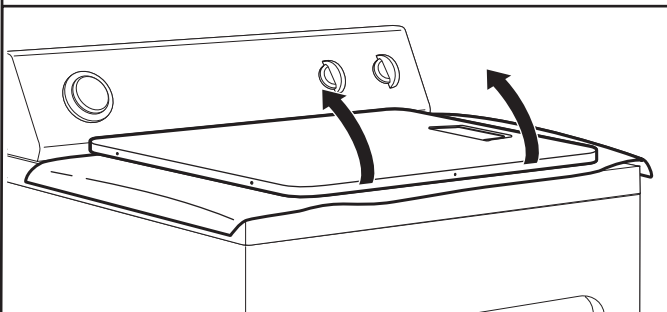
Remove the door catch, bezel, and plug from the inside of the inner door by squeezing and pulling/pushing them. Place the door catch, bezel, and plug on the sides opposite from where they were.

## 7. Rotate outer door



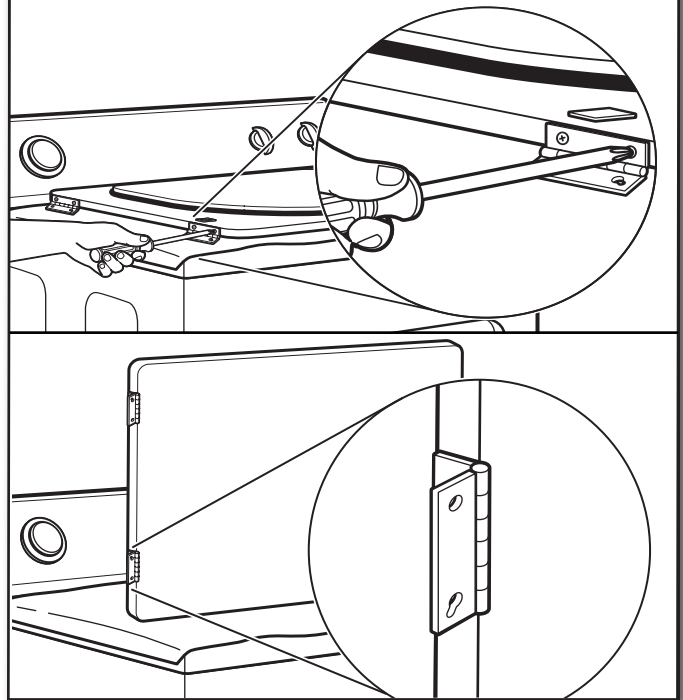
Rotate outer door 180° and set it back down on inner door. Reattach outer door panel to inner door panel so handle is on the side where hinges were just removed. Insert 4 door screws.

## 8. Flip door over



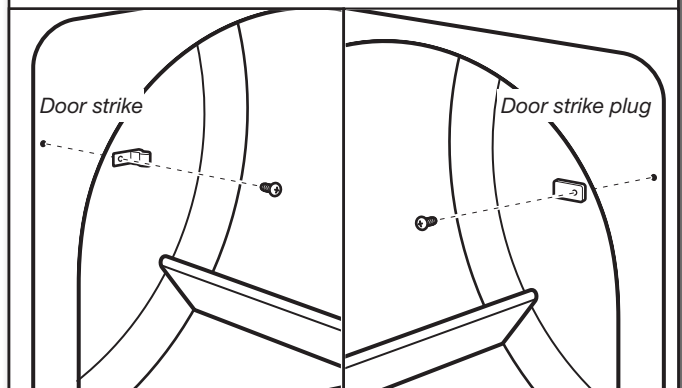
Flip door over so handle side is down.

## 9. Attach door hinges



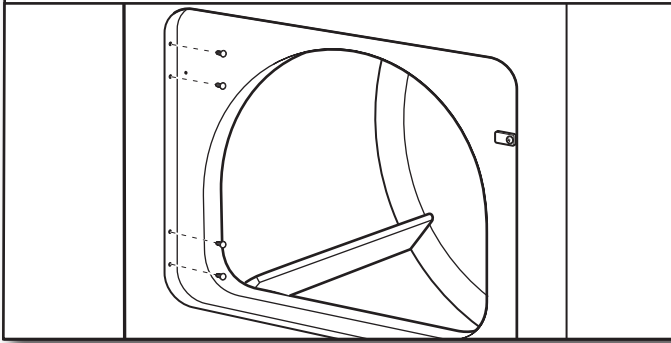
Reattach door hinges to dryer door so that the larger hole is at the bottom of the hinge.

## 10. Remove door strike and door strike plug



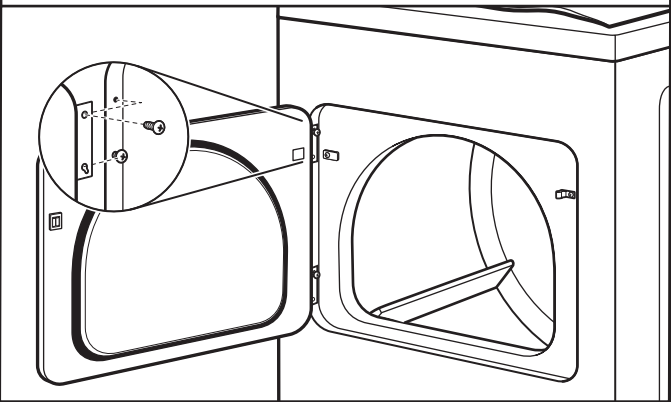
Remove door strike and door strike plug from dryer cabinet. Insert the door strike into door strike plug hole and secure with screw. Insert door strike plug into original door strike hole and secure with screw.

## 11. Remove and transfer hinge hole plugs



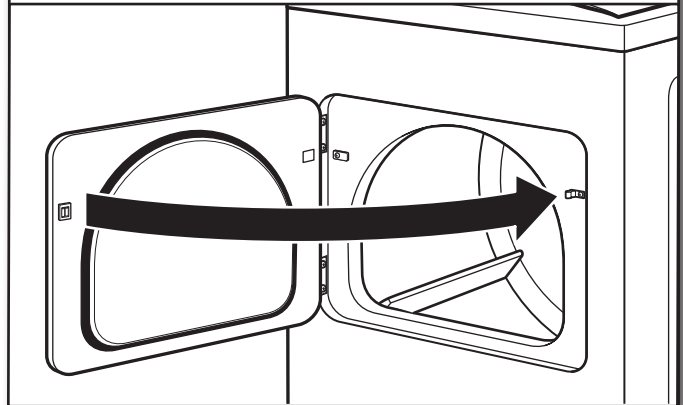
Use a small, flat-blade screwdriver to gently remove 4 hinge hole plugs on left side of dryer cabinet. Transfer plugs into hinge holes on opposite side of dryer cabinet.

## 12. Insert screws in hinge holes on dryer cabinet



**NOTE:** Two people may be needed to reinstall door. Insert screws into the bottom holes on left side of dryer cabinet. Tighten screws halfway. Position door so large end of door hinge slot is over screws. Slide door up so screws are in bottom of slots. Tighten screws. Insert and tighten top screws in hinges.

## 13. Check door strike alignment



Close door and check that door strike aligns with door catch. If it is needed, slide door catch left or right within slot to adjust alignment.

---

## TROUBLESHOOTING

See the Use and Care Guide or visit our website and reference "Frequently Asked Questions" to possibly avoid the cost of a service call.



# SÉCURITÉ DU SECHE-LINGE

## Votre sécurité et celle des autres est très importante.

Nous donnons de nombreux messages de sécurité importants dans ce manuel et sur votre appareil ménager. Assurez-vous de toujours lire tous les messages de sécurité et de vous y conformer.



Voici le symbole d'alerte de sécurité.

Ce symbole d'alerte de sécurité vous signale les dangers potentiels de décès et de blessures graves à vous et à d'autres.

Tous les messages de sécurité suivront le symbole d'alerte de sécurité et le mot "DANGER" ou "AVERTISSEMENT". Ces mots signifient :

**⚠ DANGER**

Risque possible de décès ou de blessure grave si vous ne suivez pas immédiatement les instructions.

**⚠ AVERTISSEMENT**

Risque possible de décès ou de blessure grave si vous ne suivez pas les instructions.

Tous les messages de sécurité vous diront quel est le danger potentiel et vous disent comment réduire le risque de blessure et ce qui peut se produire en cas de non-respect des instructions.



## **AVERTISSEMENT** - "Risque d'incendie"

- L'installation du sèche-linge doit être effectuée par un installateur qualifié.
- Installer le sèche-linge conformément aux instructions du fabricant et aux codes locaux.
- Ne pas installer de sèche-linge avec des matériaux d'évacuation en plastique souple. Si un conduit métallique souple (de type papier d'aluminium) est installé, celui-ci doit être d'un type spécifique identifié par le fabricant de l'appareil et convenir à une utilisation avec les sèche-linge. Les matériaux d'évacuation souples sont connus pour s'affaisser, être facilement écrasés et bloquer la charpie. Ces situations obstrueront le débit d'air du sèche-linge et augmenteront le risque d'incendie.
- Pour réduire le risque de blessure grave ou de décès, suivre toutes les instructions d'installation
- Conserver ces instructions.




## **MISE EN GARDE** - RISQUE D'INCENDIE/ DE MATÉRIAUX INFLAMMABLES

C'est un symbole supplémentaire d'alerte de sécurité qui des alertes vous au risque d'incendie.

## IMPORTANTES INSTRUCTIONS DE SECURITE

**AVERTISSEMENT :** Afin de réduire le risque d'incendie, de choc électrique ou de blessures corporelles lors de l'utilisation du sèche-linge, il convient d'observer certaines précautions fondamentales, notamment :

- Lire toutes les instructions avant d'utiliser le sèche-linge. 
- Laisser un dégagement minimal de 100 mm (4") entre l'arrière du sèche-linge et les éventuelles parois environnantes.
- Le fonctionnement de cet appareil peut affecter celui d'autres appareils dont la source d'alimentation en air se fait dans la même pièce pour une combustion sans danger. Lorsqu'on utilise le sèche-linge, une aération adéquate est nécessaire pour renouveler l'air rejeté et ainsi éviter le retour dans la pièce de gaz en provenance d'appareils ménagers utilisant d'autres carburants comme combustible, y compris les feux ouverts. En case de doute, consulter le fabricant de l'appareil.
- Ne pas obstruer l'alimentation en air du sèche-linge (voir les instructions d'installation pour les dégagements minimaux).
- Ne pas placer d'articles tâchés d'huile de cuisson dans le sèche-linge. Des articles ayant été au contact d'huile peuvent s'enflammer spontanément, surtout s'ils sont exposés à des sources de chaleur, tels qu'un sèche-linge. Les articles peuvent chauffer, entraînant une réaction d'oxydation de l'huile. Le phénomène d'oxydation crée de la chaleur. Si la chaleur ne peut pas s'échapper, les articles peuvent devenir suffisamment chauds pour prendre feu. Le fait d'empiler, d'entasser ou d'entreposer des articles ayant été au contact d'huile peut empêcher la chaleur de s'échapper et créer un risque d'incendie.
- Si l'on doit faire sécher dans le sèche-linge des articles ayant été souillés par des substances telles que de l'huile de cuisson, acétone, alcool, pétrole, kérosène, produit détachant, térébenthine, cire, décapant pour cire ou produits de coiffure, ils doivent être lavés à l'eau chaude avec un supplément de détergent avant d'être séchés dans le sèche-linge. Ces articles sont susceptibles de dégager des vapeurs qui pourraient s'enflammer ou exploser. Les laver ainsi au préalable permet de réduire mais non de supprimer ce risque.
- Cet appareil ne convient pas à une utilisation par des personnes (y compris des enfants de moins de 8 ans) à capacités physiques, sensorielles ou mentales réduites, ou dépourvues d'expérience et de connaissances, à moins qu'elles ne soient placées sous supervision ou qu'elles aient reçu des instructions concernant l'utilisation de l'appareil par une personne responsable de leur sécurité.
- Les enfants qui effectuent le nettoyage et l'entretien doivent être supervisés.
- Il convient de surveiller les enfants pour qu'ils ne jouent pas avec l'appareil.
- Les enfants de moins de 3 ans ne doivent pas se trouver à proximité de l'appareil à moins d'être constamment surveillés.
- Ne pas utiliser le sèche-linge si l'on a utilisé des produits chimiques industriels pour le nettoyage.
- Enlever tous les objets des poches tels que briquets, allumettes, avant de placer les vêtements dans le sèche-linge.
- Retirer les portes du compartiment de séchage avant de retirer le sèche-linge pour un entretien ou de le mettre au rebut.
- Ne pas accéder à l'intérieur du sèche-linge pendant le fonctionnement du tambour. Pour votre sécurité, l'appareil est pourvu d'un contacteur de porte.
- Ne pas installer ou entreposer le sèche-linge dans un endroit où il serait exposé aux intempéries.
- Ne pas effectuer d'intervention non autorisée sur les commandes.
- Ne pas utiliser ce sèche-linge s'il semble défectueux.
- Ne pas procéder à l'entretien, à la réparation ou au remplacement de n'importe quelle pièce du sèche-linge, à moins que ceci ne soit spécifiquement recommandé dans le Guide d'utilisation et d'entretien. Seul un réparateur compétent est habilité à effectuer une intervention de réparation ou d'entretien sur cet appareil.
- Ne pas utiliser d'assouplissants pour tissu ou de produits pour éliminer l'électricité statique à moins que cela ne soit recommandé par le fabricant d'assouplissants pour tissu ou du produit. Suivre leurs instructions.
- Nettoyer le filtre à peluches du sèche-linge avant ou après chaque charge. Ne pas utiliser le sèche-linge si le filtre à peluches n'est pas installé.
- La zone située autour des ouvertures de prise ou d'évacuation d'air et les zones adjacentes doivent être exemptes de peluches et poussières.
- L'intérieur du sèche-linge et le conduit d'évacuation doivent être nettoyés régulièrement par un personnel d'entretien qualifié.
- Voir les "Spécifications électriques" pour les instructions de mise à la terre.
- Ne pas faire sécher d'articles non lavés dans ce sèche-linge.
- La partie finale du programme de séchage par culbutage a lieu sans chaleur (programme de refroidissement) pour que les articles soient laissés à une température qui ne risque pas de les endommager.
- Les articles tels que le caoutchouc mousse (mousse de latex), les bonnets de douche, les textiles imperméabilisés, les articles avec endos de caoutchouc et les vêtements ou oreillers rembourrés avec matelassage en mousse doivent être séchés uniquement sur une corde à linge.
- Si le cordon d'alimentation est endommagé, il doit être remplacé par le fabricant, son agent de service ou toute autre personne qualifiée afin d'éviter tout danger.

**AVERTISSEMENT :** Ne jamais arrêter un sèche-linge en phase de culbutage avant la fin du programme de séchage à moins de retirer les articles rapidement et de les étendre afin de dissiper la chaleur.

**CONSERVER CES INSTRUCTIONS**

## AVERTISSEMENT

### Risque d'incendie

**Le non-respect de cet avertissement peut causer des blessures graves, des dommages à la propriété ou le décès.**

**Ne pas installer de ventilateur d'appoint dans le conduit d'évacuation.**

**Installer tous les sèche-linge en respectant les instructions d'installation du fabricant du sèche-linge.**

## POUR VOTRE SECURITE

1. NE PAS UTILISER OU REMISER D'ESSENCE OU AUTRES MATÉRIAUX INFLAMMABLES DANS CET APPAREIL MÉNAGER OU À PROXIMITÉ DE CELUI-CI.
2. NE PAS VAPORISER D'AÉROSOLS À PROXIMITÉ DE CET APPAREIL MÉNAGER LORSQU'IL EST EN FONCTIONNEMENT.
3. NE PAS MODIFIER CET APPAREIL MÉNAGER.



Le marquage de l'appareil est conforme à la directive européenne 2012/19/EU sur les équipements électroniques et électriques, pour gestion des déchets.

En veillant à l'élimination correcte de ce produit, vous éviterez d'éventuelles conséquences néfastes pour l'environnement et la santé humaine qui peuvent être associées au traitement inapproprié de ce produit lorsqu'il a été mis au rebut.

Le symbole figurant sur le produit ou dans les documents qui accompagnent le produit indique que cet appareil ne doit pas être traité comme déchet ménager; on doit plutôt le remettre à un centre de collecte spécialisé pour le recyclage des équipements électriques et électroniques.

L'élimination de ce produit après mise au rebut doit être effectuée conformément aux prescriptions de la réglementation locale de protection de l'environnement.

Pour l'information détaillée concernant le traitement, le recyclage et la récupération de ce produit, contacter la municipalité locale, le service d'élimination des déchets ménagers, ou le commerçant qui a vendu le produit.

## IMPORTANTES INSTRUCTIONS DE SÉCURITÉ

Avant de jeter ou de ranger votre vieil sèche-linge, enlever la porte.

**CONSERVEZ CES INSTRUCTIONS**

## CARACTERISTIQUES

Ces appareils sont vendus dans diverses régions aux critères de capacité de mesure différents. Vous trouverez ci-dessous quelques unes des formes de mesures valables indiquées sur ce produit :

**Capacité linge sec :** Poids reflétant la taille de charge maximale pouvant être placée dans le sèche-linge.

**Capacité IEC :** Mesure de capacité représentant la capacité maximale de linge sec et de textiles pour lesquels le fabricant conseille un programme spécifique de traitement.

Capacité linge sec
15 kg (33 lb)

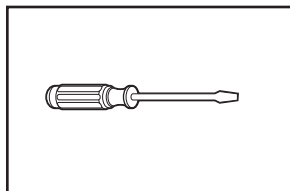
Capacité IEC
7 kg (15 lb)

# EXIGENCES D'INSTALLATION

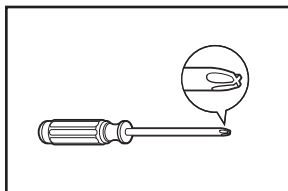
## Outillage et pièces

Rassembler les outils et composants nécessaires avant d'entreprendre l'installation.

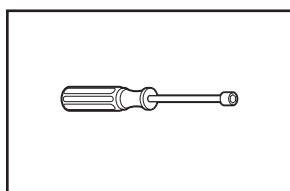
### Outils nécessaires pour toutes les installations :



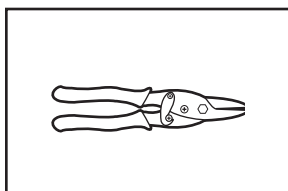
Tournevis à lame plate



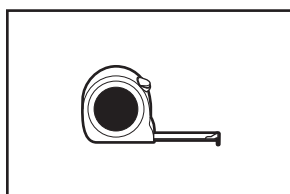
Tournevis Phillips n° 2



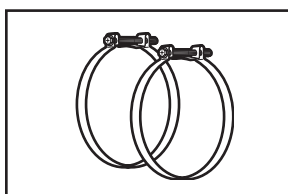
Tourne-écrou ou clé à douille de 6 mm (1/4") (recommandé)



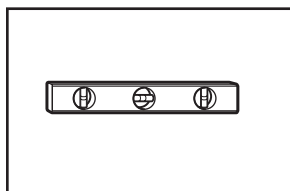
Cisaille de ferblantier (pour l'installation d'un nouveau conduit)



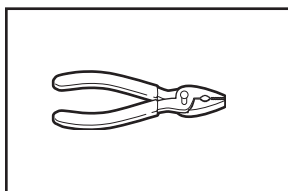
Mètre-ruban



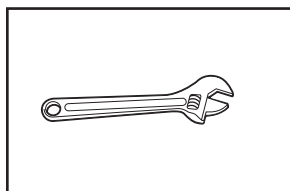
Brides de serrage pour conduit d'évacuation



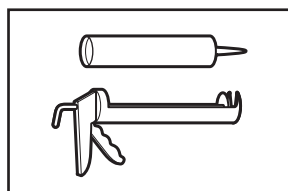
Niveau



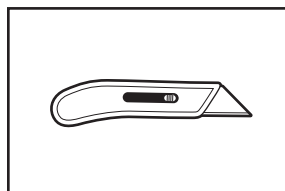
Pince



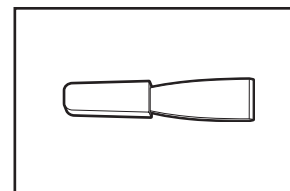
Clé à molette avec ouverture jusqu'à 25 mm (1") ou clé à douille à tête hexagonale



Pistolet à calfeutrage et composé de calfeutrage (pour l'installation d'un nouveau conduit d'évacuation)

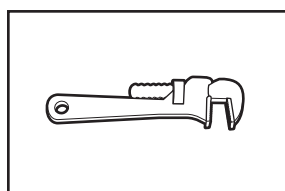


Couteau utilitaire

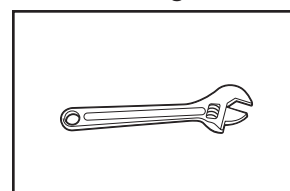


Couteau à mastic

### Outils nécessaires aux installations au gaz :



Clé à tuyau de 203 mm ou 254 mm (8" ou 10")

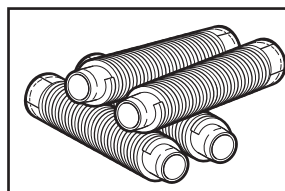


Clé à molette de 203 mm ou 254 mm (8" ou 10") (pour le raccordement au gaz)

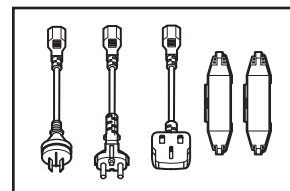


Composé d'étanchéité des raccords filetés – résistant au gaz propane

### Pièces fournies



Pieds de nivellement (4)



Prises et boîtier de protection du branchement (fournies avec certains modèles uniquement)

Le sachet de pièces se trouve dans le tambour du sèche-linge. Vérifier que toutes les pièces sont présentes.

### Pièces nécessaires :

Consulter les codes locaux. Vérifier l'alimentation électrique et le circuit d'évacuation existants. Voir "Spécifications électriques" et "Exigences concernant l'évacuation" avant d'acheter les pièces.

Vérifier les exigences des codes. Certains codes limitent ou n'autorisent pas l'installation des sèche-linges dans un garage, un placard, une maison mobile ou une chambre à coucher. Contacter l'inspecteur en bâtiment local.

### Équipement facultatif : (Non fourni avec le sèche-linge)

Se référer au Guide d'utilisation et d'entretien pour des renseignements sur les accessoires disponibles pour le sèche-linge.

## Exigences d'emplacement

### ⚠ AVERTISSEMENT



#### Risque d'explosion

Garder les matières et les vapeurs inflammables, telle que l'essence, loin du sèche-linge.

Ne pas installer dans un garage.

Le non-respect de ces instructions peut causer un décès, une explosion ou un incendie.

#### Il vous faudra :

- Un emplacement permettant une évacuation appropriée. Voir "Exigences concernant l'évacuation".
- Un circuit distinct de 30 ampères pour les sèche-linges électriques.
- Un circuit distinct de 15 ou 20 ampères pour les sèche-linges à gaz.
- Si on utilise un cordon d'alimentation, une prise électrique avec liaison à la terre située à moins de 610 mm (2 pi) de l'un des côtés du sèche-linge. Voir "Spécifications électriques".
- Un plancher robuste capable de supporter le poids du sèche-linge (sèche-linge et charge) de 90,7 kg (200 lb.). Il faut aussi prendre en compte le poids combiné d'un appareil ménager voisin.
- Un plancher de niveau ayant une pente maximale de 25 mm (1") sous l'ensemble du sèche-linge. Si la pente est supérieure à 25 mm (1"), installer un ensemble de pieds d'extension pour sèche-linge, pièce n° 279810. Si le sèche-linge n'est pas d'aplomb, le linge peut ne pas culbutter convenablement, et les programmes automatiques de détection peuvent ne pas fonctionner correctement.

Ne pas faire fonctionner le sèche-linge à une température inférieure à 7°C (45°F). À des températures inférieures, le sèche-linge risque de ne plus s'arrêter à la fin d'un programme automatique. Les temps de séchage risquent alors d'augmenter.

Le sèche-linge ne doit pas être installé ou remisée dans un endroit où elle sera exposée à l'eau et/ou aux intempéries.

Vérifier les règlements locaux. Certains codes limitent ou n'autorisent pas l'installation des sèche-linges dans un garage, un placard, une maison mobile ou une chambre à coucher. Communiquer avec l'inspecteur des bâtiments local.

**REMARQUE :** Aucun autre appareil consommant un combustible ne doit être installé dans le même placard que le sèche-linge.

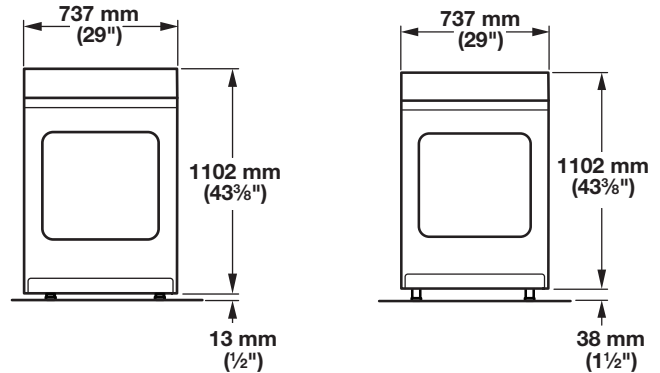
## Espacements d'installation :

L'emplacement doit être assez grand pour permettre d'ouvrir complètement la porte du sèche-linge.

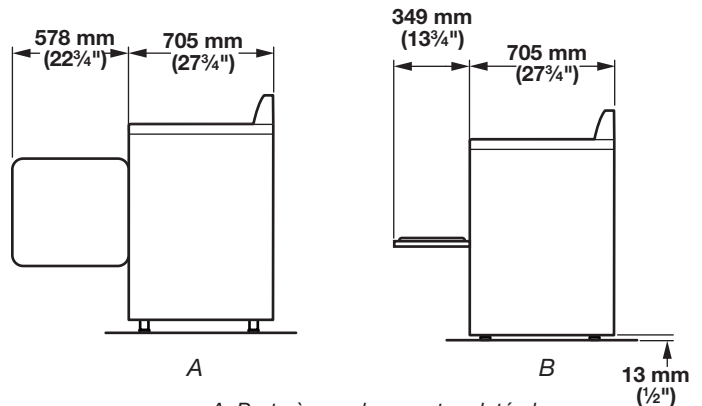
Ne pas installer derrière une porte verrouillable, une porte coulissante ou une porte avec une charnière sur le côté faisant face à celle du sèche-linge d'une manière qui gênerait l'ouverture complète de la porte du sèche-linge.

La plupart des installations requièrent un espace minimum de 140 mm (5½") derrière le sèche-linge pour le conduit d'évacuation avec coude. Voir "Exigences concernant l'évacuation".

## Dimensions de sèche-linge

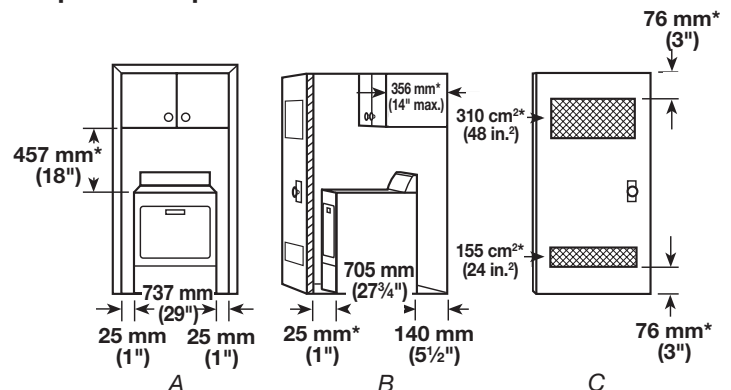


**REMARQUE :** Les pieds de nivellement doivent être de 13 mm (1/2") (pour correspondre à la hauteur de 0,102 m<sup>3</sup> [3,6 pi cu] de la laveuse) ou 38 mm (1½") (pour correspondre à la hauteur de 0,108 m<sup>3</sup> [3,8 pi cu] de la laveuse).



A. Porte à grande ouverture latérale  
B. Porte rabattable à large ouverture

## Espacement pour une installation



A. Encastrement  
B. Vue latérale – placard ou endroit exigu  
C. Porte du placard avec orifices d'entrée d'air

\*Espace requis

### **Espacement pour une installation dans un encastrement ou dans un placard**

Les dimensions correspondent à l'espacement minimum permis.

- Prévoir davantage d'espace pour faciliter l'installation et l'entretien.
- Un espace supplémentaire peut être requis pour les moulures de porte et de plancher et pour les plinthes.
- Un espace supplémentaire 25 mm (1") doit être envisagé de tous les côtés du sèche-linge afin de réduire le transfert de bruit.
- Pour une installation dans un placard avec porte, on doit prévoir des ouvertures minimums d'entrée d'air en haut et en bas de la porte. Les portes à claire-voie offrant des ouvertures équivalentes de passage de l'air sont acceptables.
- Il faut aussi prendre en compte l'espace requis entre les appareils voisins.

### **Installation dans une maison mobile – exigences supplémentaires**

Ce sèche-linge peut être installé dans une maison mobile. L'installation doit satisfaire aux critères du codes locaux.

- Un matériel d'évacuation métallique, disponible à l'achat.
- Il faut prendre des dispositions spéciales dans les maisons mobiles pour l'apport d'air de l'extérieur dans le sèche-linge. L'ouverture (telle qu'une fenêtre à proximité) devrait être au moins deux fois plus grande que l'ouverture de décharge du sèche-linge.

# RACCORDEMENT À L'ALIMENTATION ÉLECTRIQUE DU SECHE-LINGE ÉLECTRIQUE

## Spécifications électriques

### ⚠ AVERTISSEMENT



Tension Électrique Dangereuse

Ce sèche-linge est livré sans cordon d'alimentation électrique et sans prise. Il doit être raccordé par un électricien compétent à une source d'alimentation électrique monophasée, de tension telle qu'indiquée sur la plaque signalétique en utilisant un câblage fixe approprié, conformément aux règlements locaux et nationaux.

- Un cordon circulaire à 3 fils avec des conducteurs d'au moins 4 mm<sup>2</sup> de section doit être utilisé.
- Un fusible de 30A doit être utilisé sur l'alimentation et un sectionneur bipolaire sur les deux lignes doit être incorporé dans le câblage fixe pour assurer une déconnexion totale en cas de survoltage de catégorie III, conformément aux règlements locaux en matière de raccordement. Le sèche-linge doit être placé de façon à ce que le sectionneur soit clairement évident et facilement accessible pour l'utilisateur. Ce sectionneur remplit également la fonction de commande d'arrêt d'urgence pour l'utilisateur.
- Une garniture de serre-fil pour le d'alimentation est fournie avec le sèche-linge et doit être serrée une fois le câblage terminé. Les bornes de raccordement au secteur se trouvent derrière le petit panneau d'accès arrière (couvercle du boîtier de connexion), et les connexions doivent être réalisées conformément au marquage des bornes. Ne pas oublier de remettre en place le panneau d'accès du boîtier de connexion (couvercle du boîtier de connexion).

**REMARQUE :** Conformément à la directive européenne CEM (2004/108/EC), l'impédance maximale du système d'alimentation électrique auquel le sèche-linge électrique doit être connecté est de 0,054 Ohm + j0,034 Ohm.

**REMARQUE :** Normes de sécurité électriques : Pour ce produit, le fabricant a estimé que la mise en conformité avec les normes IEC/EN.60335 était la plus appropriée.

### ⚠ AVERTISSEMENT



Risque de choc électrique

Cet appareil est un sèche-linge à 3 conducteurs qui doit être relié à la terre.

**Ne pas utiliser une tuyauterie de gaz pour le raccordement à la terre.**

**Le non-respect de ces instructions peut causer un décès, un incendie ou des blessures graves.**

Si les codes le permettent et si un conducteur supplémentaire de mise à la terre est utilisé, il est recommandé qu'un électricien qualifié inspecte le parcours du fil de mise à la terre.

#### Méthode recommandée pour la mise à la terre

Il incombe à l'utilisateur de contacter un électricien qualifié afin de veiller à ce que l'installation électrique soit réalisée de façon adéquate et en conformité avec les exigences de tous les codes et règlements locaux.



## INSTALLATION DES PIEDS DE NIVELLEMENT

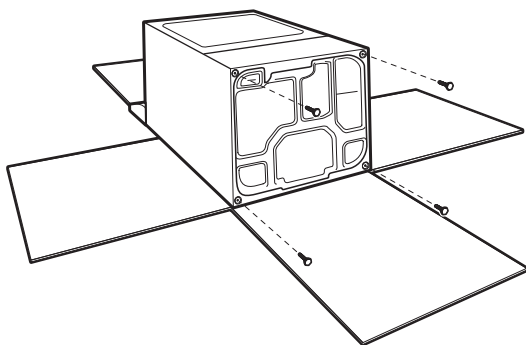
### **⚠ AVERTISSEMENT**

**Risque du poids excessif**

**Utiliser deux ou plus de personnes pour déplacer et installer le sèche-linge.**

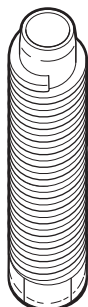
**Le non-respect de cette instruction peut causer une blessure au dos ou d'autre blessure.**

### **1. Préparer le sèche-linge pour les pieds de nivellement**



Pour ne pas endommager le plancher, utiliser un grand morceau de carton découpé dans l'emballage du sèche-linge; le placer sous tout le bord arrière du sèche-linge. Saisir fermement le sèche-linge par la caisse (non par le panneau de commande) et incliner soigneusement le sèche-linge sur le carton.

### **2. Visser dans les pieds de nivellement**

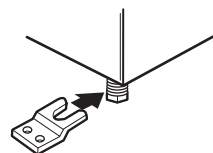


À l'aide d'une clé et d'un mètre-ruban, visser les pieds dans les trous pour pieds de nivellement jusqu'à ce que le bas de chaque pied se trouve à environ 13 mm (1/2") (pour correspondre à la hauteur de 0,102 m<sup>3</sup> [3,6 pi cu] de la laveuse) ou 38 mm (1 1/2") (pour correspondre à la hauteur de 0,108 m<sup>3</sup> [3,8 pi cu] de la laveuse) du bas du sèche-linge.

À présent, redresser le sèche-linge et la placer sur ses pieds. Faire glisser le sèche-linge jusqu'à ce qu'elle se trouve à proximité de son emplacement final. Laisser suffisamment d'espace pour connecter l'électricité et le conduit d'évacuation.

### **Pour utilisation en maison mobile**

Les sèche-linges à gaz doivent être solidement fixés au plancher.



Les installations en maison mobile nécessitent un ensemble d'ancrage au sol pour installation en maison mobile. Pour le processus de commande, consulter les Guide d'utilisation et d'entretien.

## RACCORDEMENT D'UN SECHE-LINGE À GAZ

### Spécifications de l'alimentation en gaz

### **⚠ AVERTISSEMENT**



**Risque d'explosion**

**Utiliser une canalisation neuve d'arrivée de gaz approuvée par CSA International.**

**Installer un robinet d'arrêt.**

**Bien serrer chaque organe de connexion de la canalisation de gaz.**

**En cas de connexion au gaz propane, demander à une personne qualifiée de s'assurer que la pression de gaz ne dépasse pas 330 mm (13 po) de la colonne d'eau.**

**Par personne qualifiée, on comprend :**

**le personnel autorisé de chauffage,  
le personnel autorisé d'une compagnie de gaz, et  
le personnel d'entretien autorisé.**

**Le non-respect de ces instructions peut causer un décès, un explosion ou un incendie.**

### Type de gaz

#### **Gaz naturel :**

Ce sèche-linge est équipé pour une alimentation au gaz naturel. Sa conception est homologuée par CSA International pour l'alimentation au gaz de pétrole liquéfié (propane ou butane), avec conversion appropriée.

- Ce sèche-linge doit être équipé du brûleur convenable, correspondant au gaz spécifique qui alimente l'habitation. L'information sur le brûleur se trouve sur la plaque signalétique dans le logement de la porte du sèche-linge.

## Conversion pour l'alimentation au propane :

### Un technicien qualifié doit effectuer la conversion.

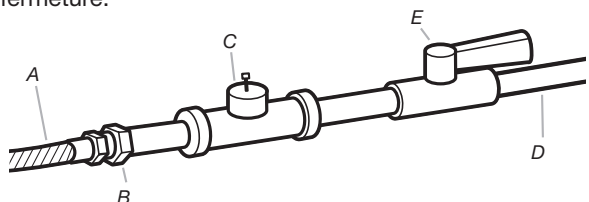
Ne pas entreprendre de convertir le sèche-linge pour l'utilisation d'un gaz différent de celui indiqué sur la plaque signalétique sans d'abord consulter la compagnie de gaz.

**IMPORTANT :** L'installation au gaz doit être conforme aux codes locaux.

### Canalisation de gaz

- Un tuyau IPS de 13 mm (1/2") est recommandé.
- Pour les longueurs inférieures à 6,1 m (20 pi), on peut utiliser des tuyaux approuvés de 9,5 mm (3/8") dans la mesure où les codes locaux et le fournisseur de gaz l'autorisent.
- La canalisation doit comprendre un connecteur obturé (filetage NPT de 3,2 mm [1/8"] ou plus) accessible pour le raccordement de l'instrument de mesure immédiatement en amont de la connexion d'alimentation en gaz du sèche-linge (voir l'illustration).
- La canalisation doit comprendre un robinet d'arrêt.

Le robinet d'arrêt doit être facilement accessible pour l'ouverture et la fermeture.



- A. Connecteur de gaz flexible de 9,5 mm (3/8")
- B. Adaptateur de tuyau au joint conique de 9,5 mm (3/8")
- C. Connecteur obturé (filetage NPT de 3,2 mm [1/8"] ou plus)
- D. Canalisations de gaz (NPT de 13 mm [1/2"])
- E. Robinet d'arrêt du gaz

### Exigences concernant le raccordement au gaz

Ce sèche-linge à gaz peut être raccordé au gaz de nombreuses façons différentes. Voir ci-dessous quelques directives pour deux méthodes de raccordement différentes.

Ce sèche-linge doit être raccordé à la canalisation d'alimentation en gaz à l'aide d'un connecteur de gaz flexible homologué qui respecte les normes applicables aux connecteurs utilisés avec des appareils ménagers à gaz, CSA 6.10.

#### Option 1 (méthode recommandée)

Raccord à gaz en acier inoxydable souple :

- Si les codes locaux le permettent, utiliser un raccord neuf en acier inoxydable souple (conception homologuée par CSA International) pour raccorder le sèche-linge à la canalisation rigide d'alimentation en gaz. Selon le besoin, utiliser un coude et un adaptateur de 9,5 mm (3/8") x tuyau NPT de 9,5 mm (3/8") entre le raccord de gaz flexible et la canalisation de gaz du sèche-linge, pour éviter toute déformation.

#### Option 2 (méthode alternative)

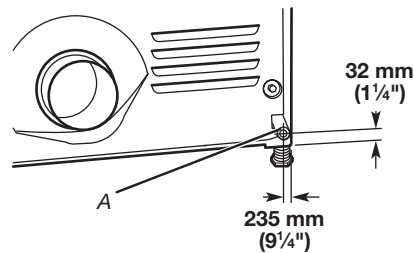
Conduit d'aluminium ou de cuivre approuvé :

- Pour les longueurs supérieures à 6,1 m (20 pi), on peut utiliser des conduits approuvés de 9,5 mm (3/8") (si les codes et le fournisseur de gaz le permettent).
- Pour le gaz naturel, ne pas utiliser de conduits en cuivre.
- Adaptateur de 9,5 mm (3/8") x tuyau NPT de 9,5 mm (3/8") entre le conduit du sèche-linge et le tuyau approuvé de 9,5 mm (3/8").
- Pour les longueurs supérieures à 6,1 m (20 pi), on doit utiliser des tuyaux plus gros et un adaptateur de calibre différent.
- Si le sèche-linge a été converti pour une utilisation au propane, on peut utiliser un tuyau en cuivre pour propane compatible de 9,5 mm (3/8"). Si la longueur totale de la canalisation d'alimentation en gaz est supérieure à 6,1 m (20 pi), utiliser un conduit de taille supérieure.

**REMARQUE :** On doit utiliser un composé d'étanchéité des tuyauteries résistant à l'action du gaz de pétrole liquéfié. Ne pas utiliser de ruban adhésif TEFLON®†.

### Canalisation d'arrivée de gaz du sèche-linge

- La canalisation d'arrivée de gaz sortant à l'arrière du sèche-linge est dotée d'un filetage mâle de 9,5 mm (3/8").



A. Conduit NPT du sèche-linge de 9,5 mm (3/8")

### Caractéristiques d'alimentation du brûleur

#### Altitudes inférieures ou égales à 3 048 m (10 000 pi) :

- La conception de ce sèche-linge a été homologuée par CSA International pour une utilisation jusqu'à une altitude de 3 048 m (10 000 pieds) au-dessus du niveau de la mer pour le débit thermique indiqué sur la plaque signalétique. Aucun réglage du brûleur n'est nécessaire lorsque le sèche-linge est utilisé à une altitude inférieure à cette valeur maximale.

#### Altitudes supérieures à 3 048 m (10 000 pi) :

- Si le sèche-linge doit être utilisé à une altitude supérieure à 3 048 m (10 000 pieds), on doit réduire de 4 % le débit thermique du brûleur indiqué sur la plaque signalétique pour chaque tranche de 305 m (1 000 pieds) d'augmentation de l'altitude.

#### Épreuve sous pression de l'alimentation en gaz

- Le sèche-linge doit être déconnecté du système de canalisations d'alimentation en gaz lors de tout test de pression à des pressions plus élevées que 352 kg/m<sup>2</sup> (1/2 lb/po<sup>2</sup>).

†@TEFLON est une marque déposée de Chemours.

## Spécifications électriques

### ⚠ AVERTISSEMENT



#### Risque de choc électrique

Brancher sur une prise reliée à la terre.

Ne pas arracher la broche de liaison à la terre.

Ne pas utiliser un adaptateur.

Ne pas utiliser un câble de rallonge.

Le non-respect de ces instructions peut causer un décès, un incendie ou un choc électrique.

- L'appareil doit être alimenté par un circuit de 120 V, CA seulement, 60 Hz, 15 ou 20 ampères, protégé par un fusible. On recommande l'emploi d'un fusible ou d'un disjoncteur temporisé. Il est recommandé de raccorder l'appareil sur un circuit distinct exclusif à cet appareil.

### INSTRUCTIONS DE LIAISON A LA TERRE

- Pour un sèche-linge relié à la terre et connecté par un cordon :

Ce sèche-linge doit être relié à la terre. En cas d'anomalie de fonctionnement ou de panne, la liaison à la terre réduira le risque de choc électrique en offrant au courant électrique un itinéraire d'évacuation de moindre résistance.

La fiche doit être branchée sur une prise de courant appropriée qui est bien installée et reliée à la terre conformément à tous les codes et règlements locaux.

**AVERTISSEMENT :** Un raccordement inapproprié du conducteur de liaison à la terre peut causer un risque de choc électrique. En cas de doute concernant la liaison à la terre du sèche-linge, consulter un électricien qualifié, un agent ou personnel d'entretien. Ne pas modifier la fiche fournie avec le sèche-linge; si elle ne s'adapte pas à la prise, faire installer une prise appropriée par un électricien qualifié.

**CONSERVEZ CES INSTRUCTIONS**

## L'ÉVACUATION

### Exigences concernant l'évacuation

### ⚠ AVERTISSEMENT



#### Risque d'incendie

Utiliser un conduit d'évacuation en métal lourd.

Ne pas utiliser un conduit d'évacuation en plastique.

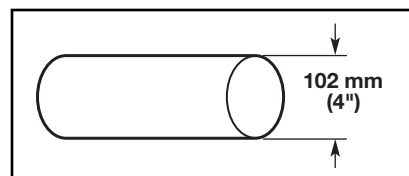
Ne pas utiliser un conduit d'évacuation en feuille de métal.

Le non-respect de ces instructions peut causer un décès ou un incendie.

**AVERTISSEMENT :** Pour réduire le risque d'incendie, ce sèche-linge doit ÉVACUER L'AIR À L'EXTÉRIEUR.

**IMPORTANT :** Respecter les dispositions de tous les codes et règlements en vigueur.

Le conduit d'évacuation du sèche-linge ne doit pas être connecté à une évacuation de gaz, une cheminée, un mur, un plafond, un grenier, un vide sanitaire ou un vide de construction. Seul un conduit en métal flexible ou rigide doit être utilisé pour l'évacuation.



Conduit d'évacuation en métal lourd de 102 mm (4")

- Utiliser un conduit d'évacuation en métal lourd de 102 mm (4") et des brides de serrage.
- Ne pas utiliser de conduit de plastique ou en aluminium.

#### Conduit métallique rigide :

- Recommandé pour une meilleure performance de séchage et pour réduire les risques d'écrasement et de déformation.

**Conduit métallique flexible :** (Acceptable uniquement si accessible pour le nettoyage)

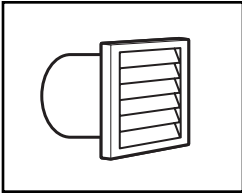
- Doit être complètement déployé et supporté dans l'emplacement final du sèche-linge.
- Enlever tout excès de conduit pour éviter tout affaissement et déformation susceptible de réduire la capacité d'évacuation et le rendement.
- Ne pas installer le conduit dans les cavités fermées des murs, plafonds ou planchers.
- La longueur totale ne doit pas excéder 2,4 m (7<sup>3</sup>/<sub>4</sub> pi).

**REMARQUE :** Lors de l'utilisation d'un système de décharge existant, nettoyer et éliminer la charpie sur toute la longueur du système et veiller à ce que le clapet d'évacuation ne soit pas obstrué par une accumulation de charpie. Remplacer tout conduit de plastique ou d'aluminium par un conduit métallique rigide ou flexible. Examiner le "Tableau des systèmes d'évacuation" et, au besoin, apporter les modifications nécessaires au système d'évacuation pour atteindre le meilleur rendement de séchage.

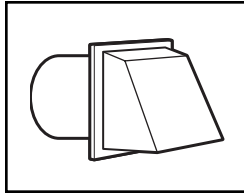
## Clapets de décharge :

- Doit se situer à au moins 305 mm (12") au-dessus du sol ou de tout objet susceptible d'obstruer l'évacuation (par exemple fleurs, roches, arbustes ou neige).

## Styles recommandés :

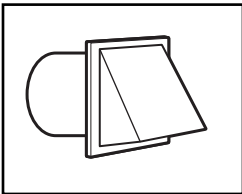


Clapet à persiennes



Clapet de type boîte

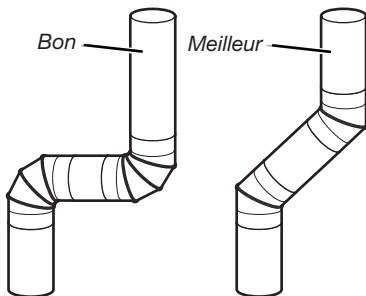
## Style acceptable :



Clapet incliné

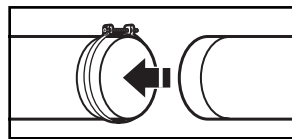
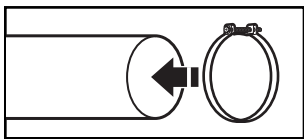
## Coudes :

- Les coudes à 45° permettent une meilleure circulation de l'air que les coudes à 90°.



## Brides de serrage :

- Utiliser des brides de serrages pour sceller toutes les jointures.
- Le conduit d'évacuation ne doit pas être connecté ou fixé avec des vis ou avec tout autre dispositif de serrage qui se prolonge à l'intérieur du conduit et où la charpie risque de s'accrocher. Ne pas utiliser de ruban adhésif pour conduit.



**Une mauvaise évacuation de l'air peut causer de l'humidité et une accumulation de charpie à l'intérieur de la maison, ce qui peut provoquer :**

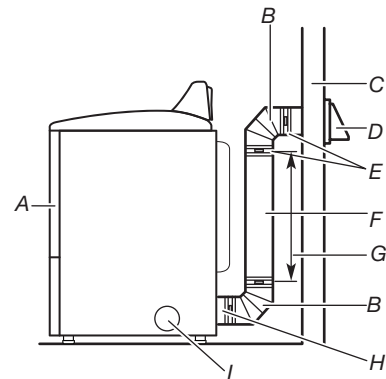
- Dommages par l'humidité aux boiseries, meubles, peinture, papier-peint, tapis, etc.
- Problèmes de nettoyage dans la maison et problèmes de santé.

Pour plus de renseignements voir "Troussets d'évacuation".

## Planification du système d'évacuation

### Installations d'évacuation recommandées

Les installations typiques consistent à acheminer le conduit d'évacuation à l'arrière du sèche-linge. D'autres installations sont possibles.



A. Sèche-linge  
B. Coude  
C. Mur  
D. Clapet de décharge  
E. Brides

F. Conduit métallique rigide ou souple  
G. Longueur de conduit nécessaire pour raccorder les coudes  
H. Bouche de décharge  
I. Sortie d'évacuation latérale facultative

## ⚠ AVERTISSEMENT

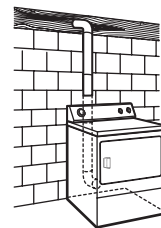


### Risque d'incendie

**Recouvrir tous les orifices d'évacuation non utilisés avec une trousse du fabricant.**

**Contactez votre marchand local.**

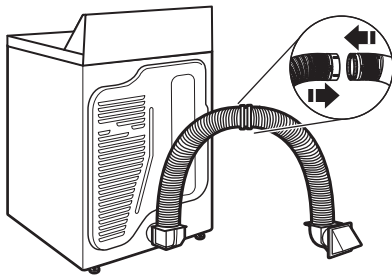
**Le non-respect de ces instructions peut causer un décès, un incendie, un choc électrique ou une blessure grave.**



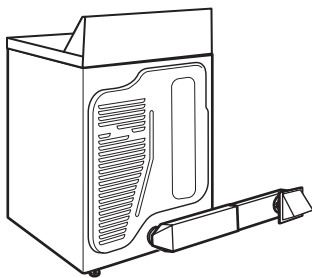
Installation avec acheminement standard du conduit d'évacuation par l'arrière

## Installations alternées pour dégagements étroits

Il existe de nombreux systèmes d'évacuation. Choisir le type le mieux adapté à votre installation. Sur l'illustration : les installations à double dégagement. Se rapporter aux instructions du fabricant.



Installation au-dessus du sèche-linge  
(également disponible avec un coude décalé)



Installation de périscope

**REMARQUE :** Les trousses suivantes pour les installations alternées à dégagements étroits sont disponibles à l'achat.

## Trousses d'évacuation

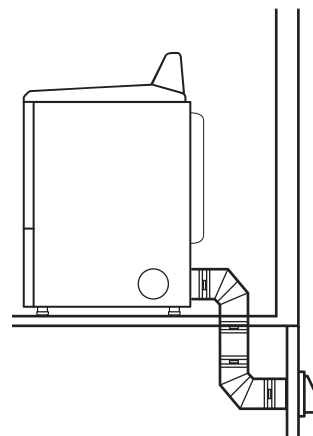
Pour plus de renseignements, visiter notre site [www.applianceaccessories.com](http://www.applianceaccessories.com) ou contacter le distributeur qui a vendu l'appareil ou une entreprise de service agréée.

Numéro de pièces	Descriptions
8171587RP	Périscope d'évacuation métallique de 0 à 5"
4396037RP	Périscope d'évacuation métallique de 0" à 18"
4396011RP	Périscope d'évacuation métallique de 18" à 29"
4396014	Périscope d'évacuation métallique de 29" à 50"
4392892	Périscope DuraVent™ métallique mural
4396028	Trousse d'évacuation Sure Connect™ (installation par le dessus)
4396009RP	Conduit raccordement universel de 5', conduit d'évacuation souple pour sèche-linge
4396010RP	Conduit SecureConnect™ de 6', conduit d'évacuation souple pour sèche-linge
4396013RB	Trousse d'installation du conduit de sèche-linge
4396033RP	Conduit d'évacuation souple pour sèche-linge de 5' avec brides

Numéro de pièces	Descriptions
4396727RP	Conduit d'évacuation souple pour sèche-linge de 8' avec brides
4396004	Coude décalé pour sèche-linge
4396005	Coude décalé pour mur
4396006RW	Coude serré DuraSafe™
4396007RW	Clapet de conduit d'évacuation à travers le mur
4396008RP	Brides d'évacuation en acier de 4" pour sèche-linge – Lot de 2
8212662	Clapet d'évacuation à persiennes de 4" pour montage en affleurement

## Dispositions spéciales pour les maisons mobiles :

Le système d'évacuation doit être solidement fixé à une section non combustible de la structure de la maison mobile et ne doit pas se terminer en dessous de celle-ci. Acheminer le conduit d'évacuation vers l'extérieur.



## Déterminer l'itinéraire d'acheminement du conduit :

- Choisir l'itinéraire d'acheminement vers l'extérieur qui sera le plus direct et le plus rectiligne.
- Planifier l'installation pour introduire le nombre minimal de coudes et de changements de direction.
- Si des coudes ou changements de direction sont utilisés, prévoir autant d'espace que possible.
- Plier le conduit graduellement pour éviter de le déformer.
- Utiliser le moins possible de changements de direction à 90°.

## Déterminer la longueur du conduit et les coudes nécessaires pour un séchage optimal :

- Utiliser le "Tableau des systèmes d'évacuation" ci-dessous pour déterminer le type de composants et les combinaisons acceptables.

**REMARQUE :** Ne pas utiliser un conduit de longueur supérieure à la valeur spécifiée dans le "Tableau des systèmes d'évacuation". Si la longueur du circuit est supérieure à la valeur spécifiée dans le tableau, on observera :

- Une réduction de la longévité du sèche-linge.
- Une réduction du rendement, avec temps de séchage plus longs et une plus grande consommation d'énergie.

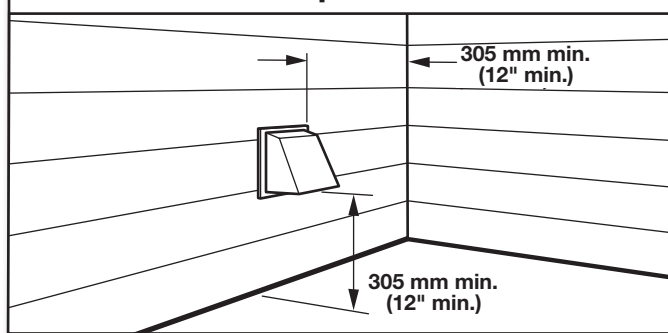
Le "Tableau des systèmes d'évacuation" fournit les spécifications d'évacuation qui vous aideront à atteindre la meilleure performance de séchage.

<b>Tableau des systèmes d'évacuation</b>			
Nombre de coudes à 90°	Type de conduit d'évacuation	Clapets de type boîte/à persiennes	Clapets inclinés
0	Métallique rigide	20 m (64 pi)	17,7 m (58 pi)
1	Métallique rigide	16,5 m (54 pi)	14,6 m (48 pi)
2	Métallique rigide	13,4 m (44 pi)	11,6 m (38 pi)
3	Métallique rigide	10,7 m (35 pi)	8,8 m (29 pi)
4	Métallique rigide	8,2 m (27 pi)	6,4 m (21 pi)

<b>Tableau des systèmes d'évacuation (Modèles d'évacuation long uniquement)</b>		
Nombre de coudes à 90°	Type de conduit d'évacuation	Clapets de type boîte/à persiennes, ou inclinés
0	Métallique rigide	36,6 m (120 pi)
1	Métallique rigide	33,5 m (110 pi)
2	Métallique rigide	30,5 m (100 pi)
3	Métallique rigide	27,4 m (90 pi)
4	Métallique rigide	24,4 m (80 pi)
5	Métallique rigide	21,3 m (70 pi)

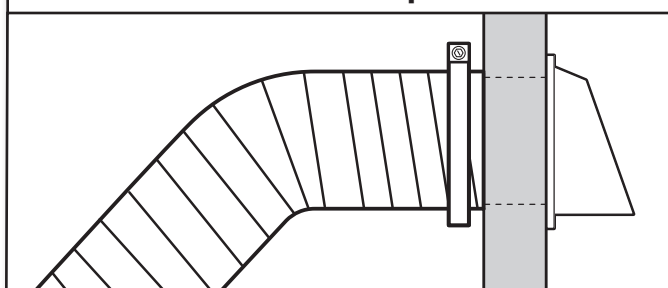
## Installation du circuit d'évacuation

### 1. Installer le clapet d'évacuation



Installer un clapet d'évacuation et calfeutrer l'ouverture murale à l'extérieur autour du clapet d'évacuation.

### 2. Raccorder le conduit d'évacuation au clapet

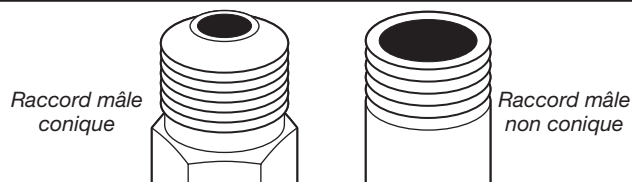


Le conduit doit se trouver par dessus le clapet d'évacuation. Fixer ensemble le conduit et le clapet avec une bride de 102 mm (4"). Acheminer le conduit d'évacuation jusqu'à l'emplacement du sèche-linge, utiliser l'itinéraire le plus rectiligne possible. Éviter les changements de direction à 90°. Utiliser des brides de serrage pour sceller toutes les jointures. Ne pas utiliser de ruban adhésif pour conduit, de vis ou autres dispositifs de fixation qui se prolongeraient à l'intérieur du conduit pour sécuriser l'évacuation, car la charpie pourrait s'y accrocher.



## RACCORDEMENT AU GAZ

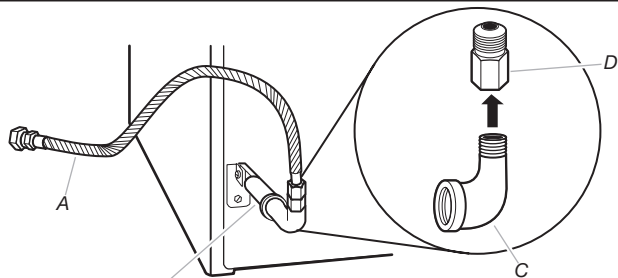
### 1. Raccorder l'alimentation en gaz au sèche-linge



Retirer le capuchon rouge de la canalisation de gaz. À l'aide d'une clé pour serrer, raccorder l'alimentation en gaz au sèche-linge. Utiliser un composé d'étanchéité des tuyauteries sur tous les filetages des raccords mâles non coniques. Si on utilise un conduit métallique souple, veiller à ce qu'il ne soit pas pincé.

**REMARQUE :** Pour les raccordements au propane, on doit utiliser un composé d'étanchéité résistant à l'action du propane. Ne pas utiliser de ruban adhésif TEFLON®.

### 2. Préparer la connexion des raccords de tuyauterie



A. Raccord flexible de gaz de 9,5 mm (3/8")

B. Conduit du sèche-linge de 9,5 mm (3/8")

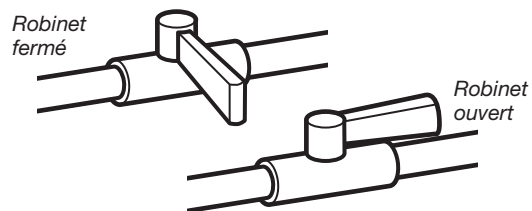
C. Coude de 9,5 mm (3/8") par 9,5 mm (3/8")

D. Adaptateur entre le conduit et le joint conique de 9,5 mm (3/8")

On doit utiliser une combinaison de raccords de tuyauterie pour raccorder le sèche-linge à l'alimentation en gaz existante. L'illustration présente un raccordement recommandé.

Le raccordement peut varier selon le type, la taille et l'emplacement de la canalisation d'alimentation.

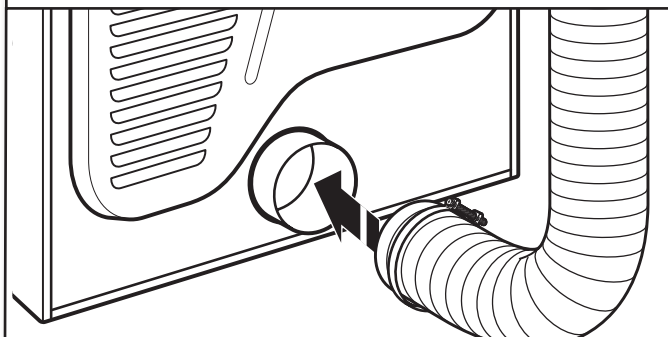
### 3. Ouvrir le robinet d'arrêt du gaz



Ouvrir le robinet d'arrêt de la canalisation d'alimentation; le robinet est ouvert lorsque la manette est parallèle à la canalisation de gaz. Vérifier ensuite tous les raccordements en les badigeonnant d'une solution de détection des fuites non corrosive approuvée. L'apparition de bulles indique la présence d'une fuite. Réparer toute fuite éventuelle.

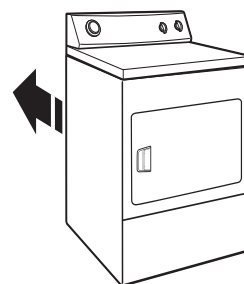
## RACCORDEMENT DU CONDUIT D'ÉVACUATION

### 1. Raccorder le conduit d'évacuation à la bouche d'évacuation



À l'aide d'une bride de serrage de 102 mm (4"), relier le conduit d'évacuation à la bouche d'évacuation du sèche-linge. Si on utilise le conduit d'évacuation existant, s'assurer qu'il est propre. Le conduit d'évacuation du sèche-linge doit être fixé par-dessus la bouche d'évacuation du sèche-linge, et à l'intérieur du clapet d'évacuation. Vérifier que le conduit d'évacuation est fixé au clapet d'évacuation à l'aide d'une bride de serrage de 102 mm (4").

### 2. Déplacer le sèche-linge à son emplacement final

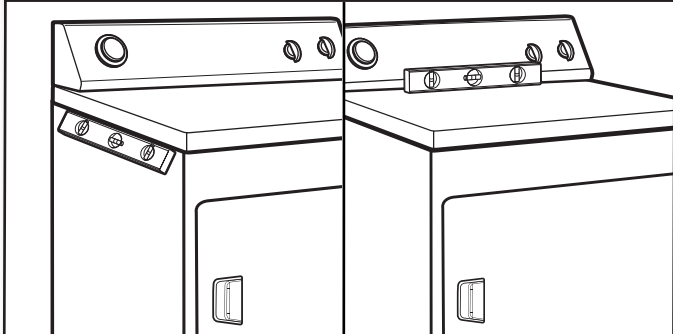


Placer le sèche-linge à son emplacement final. Éviter d'écraser ou de déformer le conduit d'évacuation. Une fois que le sèche-linge est à son emplacement définitif, ôter les cornières et le carton du dessous du sèche-linge.



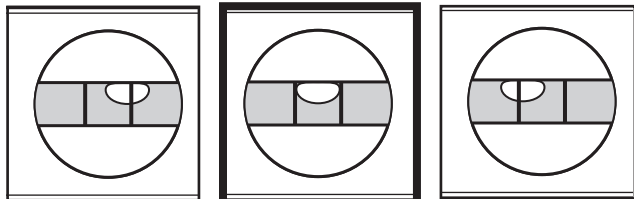
## RÉGLAGE DE L'APLOMB DU SECHE-LINGE

### 1. Régler l'aplomb du sèche-linge



Vérifier l'aplomb du sèche-linge d'un côté à l'autre. Répéter l'opération de l'avant vers l'arrière.

**REMARQUE :** Le sèche-linge doit être d'aplomb pour que le système de détection d'humidité fonctionne correctement.

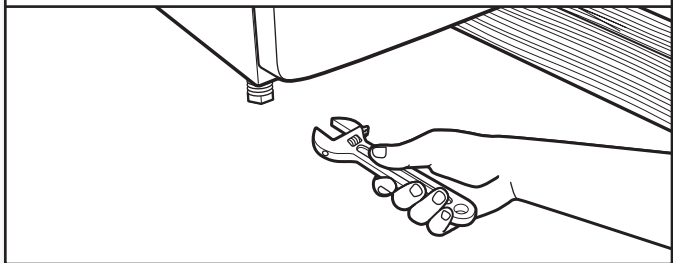


Pas d'aplomb

**D'APLOMB**

Pas d'aplomb

### 2. Serrer et ajuster les pieds de nivellement



Si le sèche-linge n'est pas d'aplomb ou à la même hauteur que le lave-linge, le soulever à l'aide d'une cale en bois. Utiliser une clé pour ajuster les pieds vers le haut ou vers le bas, et vérifier à nouveau si elle est d'aplomb. Une fois que les pieds sont d'aplomb, s'assurer que les quatre pieds sont solidement appuyés contre le plancher avant de les serrer.

## INSTALLATION DU CORDON D'ALIMENTATION (sur certains modèles)

**IMPORTANT :** à effectuer uniquement par un personnel de service Whirlpool Corporation agréé.

### ⚠ AVERTISSEMENT



**Risque de choc électrique**

**Brancher sur une prise reliée à la terre.**

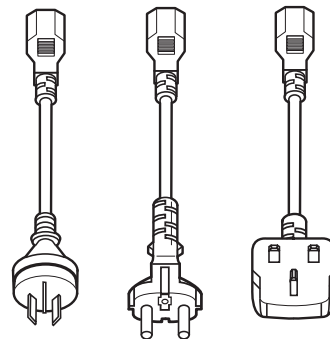
**Ne pas arracher la broche de liaison à la terre.**

**Ne pas utiliser un adaptateur.**

**Ne pas utiliser un câble de rallonge.**

**Le non-respect de ces instructions peut causer un décès, un incendie ou un choc électrique.**

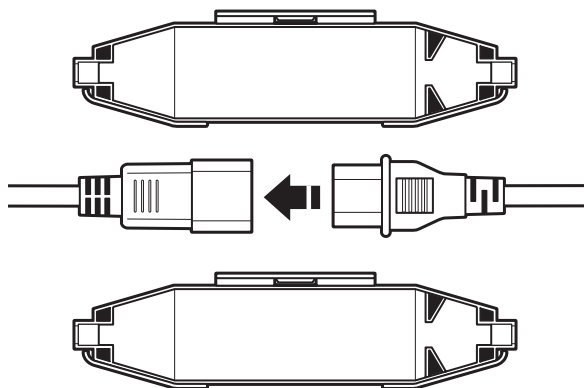
### 1. Sélectionner la prise



Sélectionner la prise qui correspond à la prise électrique murale.

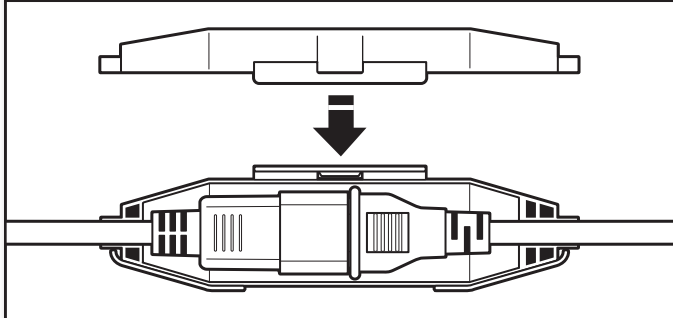
**REMARQUE :** Les types et les quantités de prises varient en fonction du modèle.

## 2. Fixer la prise



Fixer la prise à l'extrémité du cordon d'alimentation située à l'arrière du sèche-linge.

## 3. Fixer le cordon d'alimentation



Fixer le cordon d'alimentation en immobilisant la connexion sur le dispositif de verrouillage du cordon. Installer le couvercle du dispositif de verrouillage du cordon et appuyer jusqu'à ce qu'il s'emboîte. S'assurer que le raccord du cordon d'alimentation est immobilisé sur le dispositif de verrouillage du cordon et que le serrage du dispositif de verrouillage est correct.

Brancher le cordon d'alimentation dans la prise de liaison à la terre. Ouvrir la source d'alimentation.

## ACHEVER L'INSTALLATION – LISTE DE VÉRIFICATION

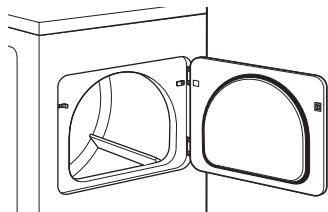
- Vérifier que toutes les pièces sont maintenant installées. S'il reste une pièce, passer en revue les différentes étapes pour découvrir laquelle aurait été oubliée.
- Vérifier la présence de tous les outils.
- Éliminer/recycler les matériaux d'emballage.
- Vérifier l'emplacement définitif du sèche-linge. S'assurer que le conduit d'évacuation n'est pas écrasé ou déformé.
- Vérifier que le sèche-linge est d'aplomb. Voir "Réglage de l'aplomb du sèche-linge".
- Retirer la pellicule sur le panneau de commande et tout ruban adhésif resté sur le sèche-linge.
- Essuyer soigneusement l'intérieur du tambour du sèche-linge avec un chiffon humide pour éliminer toute trace de poussière.
- Lire la section "Utilisation du sèche-linge" dans le Guide d'utilisation et d'entretien.
- Régler le sèche-linge pour un programme de séchage complet (pas le programme de séchage à l'air) de 20 minutes et mettre le sèche-linge en marche.

### Si le sèche-linge ne démarre pas, vérifier ce qui suit :

- Le sèche-linge est branché sur une prise à trois alvéoles reliée à la terre.
- La prise de courant est correctement alimentée.
- Les fusibles du domicile sont intacts et serrés; le disjoncteur n'est pas déclenché.
- La porte du sèche-linge est fermée.
- Après 5 minutes de fonctionnement, ouvrir la porte du sèche-linge et déterminer si l'on détecte de la chaleur. Si de la chaleur est détectée, annuler le programme et fermer la porte. Si vous ne sentez aucune chaleur, éteindre le sèche-linge et vérifier si le robinet d'arrêt de la canalisation de gaz est ouvert.
  - Si le robinet d'arrêt de la canalisation de gaz est fermé, l'ouvrir, puis répéter le test de 5 minutes décrit ci-dessus.
  - Si le robinet d'arrêt de la canalisation de gaz est ouvert, contacter un technicien qualifié.

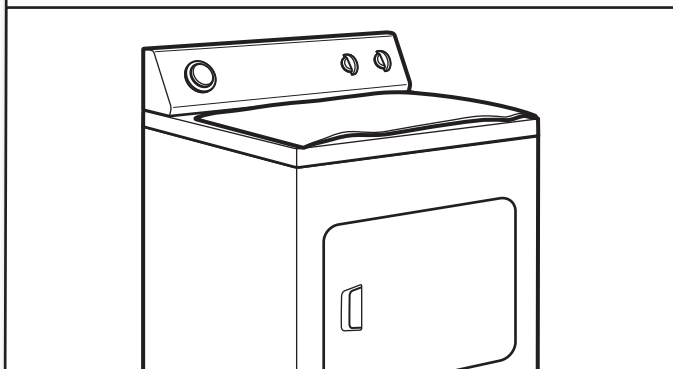
**REMARQUE :** Il est possible que le sèche-linge dégage une odeur lors du chauffage initial. Cette odeur est normale lorsque l'élément chauffant est utilisé pour la première fois. L'odeur disparaîtra.

## INVERSION DU SENS DE L'OUVERTURE DE LA PORTE (FACULTATIF)



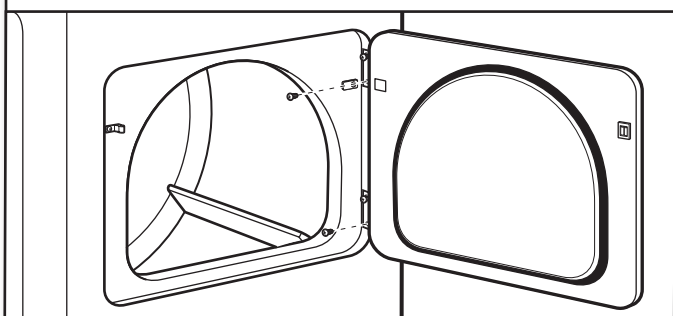
**REMARQUE :** Un tournevis aimanté serait utile.

### 1. Placer une serviette sur le sèche-linge



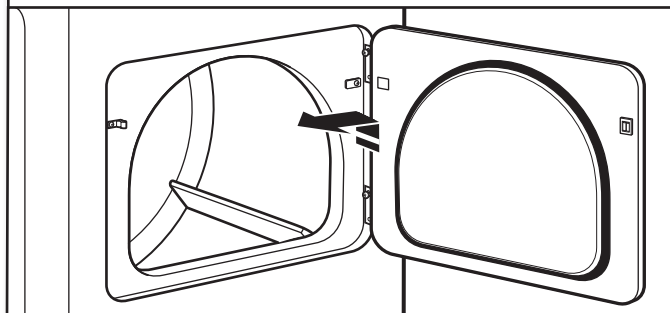
Placer une serviette sur le dessus du sèche-linge pour éviter d'endommager la surface.

### 2. Ôter les vis inférieures



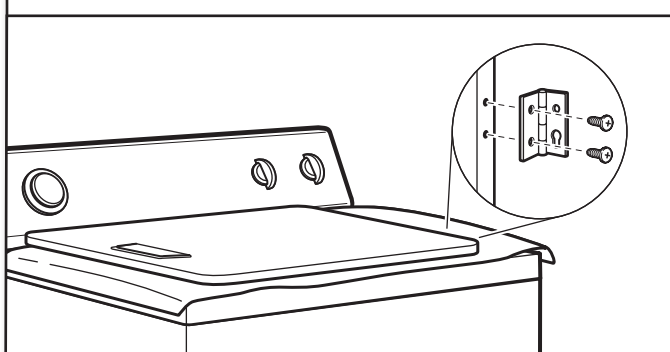
Ouvrir la porte du sèche-linge. Ôter les vis inférieures de la portion des charnières attachée à la caisse du sèche-linge. Desserrer (ne pas retirer) les vis supérieures de la portion des charnières attachée à la caisse du sèche-linge.

### 3. Soulever la porte pour la dégager des vis supérieures



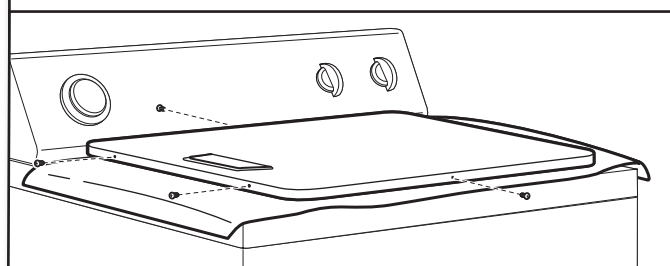
Soulever la porte jusqu'à ce que les vis supérieures situées dans la caisse du sèche-linge se trouvent dans la partie évasée de l'encoche de charnière. Tirer la porte vers l'avant pour la dégager des vis. Placer la porte (côté poignée vers le haut) sur le sèche-linge. Retirer les vis supérieures de la caisse du sèche-linge.

### 4. Ôter les vis des charnières



Retirer les vis fixant les charnières à la porte.

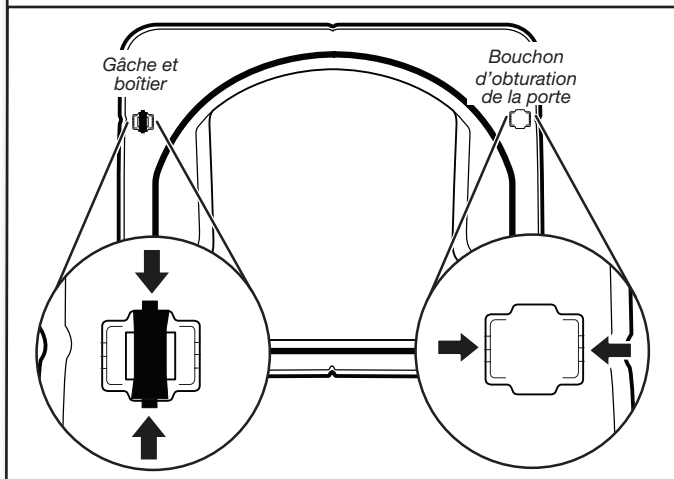
### 5. Ôter les vis du panneau de porte



Retirer les vis du sommet, du bas et du côté de la porte (4 vis) qui tiennent ensemble la porte interne et la porte externe. Tout en maintenant la porte sur la serviette et sur le sèche-linge, saisir les côtés de la porte externe et la soulever pour la séparer de la porte interne. Mettre de côté la porte externe.

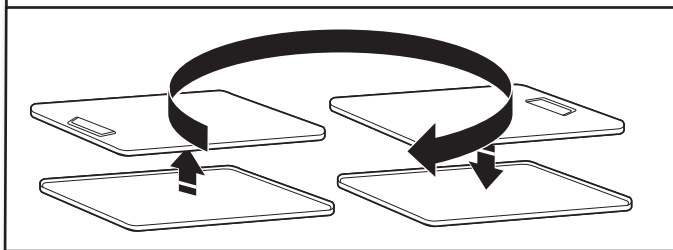
**REMARQUE :** Ne pas utiliser de couteau à mastic ou de tournevis pour séparer les portes. Ne pas tirer sur le joint ou les pitons de retenue en plastique de la porte.

## 6. Inversion du côté d'installation de la gâche, du boîtier et du bouchon d'obturation de la porte



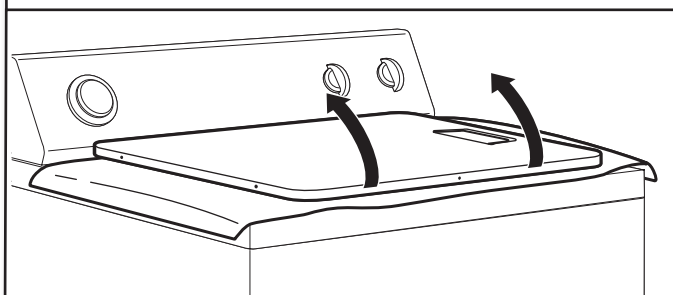
Retirer la gâche de porte, le boîtier et le bouchon d'obturation du côté intérieur de la porte interne en serrant les côtés puis en tirant/repoussant ces éléments. Placer la gâche de porte, le boîtier et le bouchon d'obturation de la porte sur le côté opposé à leur position précédente.

## 7. Faire pivoter la porte externe



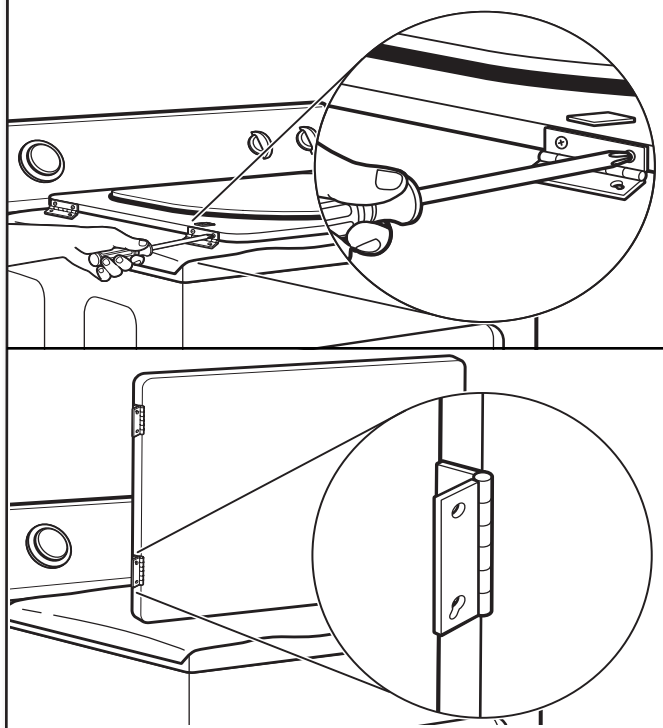
Faire pivoter la porte externe de 180° puis la replacer sur la porte interne. Fixer à nouveau le panneau de porte externe sur le panneau de porte interne de façon à ce que la poignée se trouve du côté où les charnières viennent d'être retirées. Insérer les 4 vis de porte.

## 8. Retourner la porte



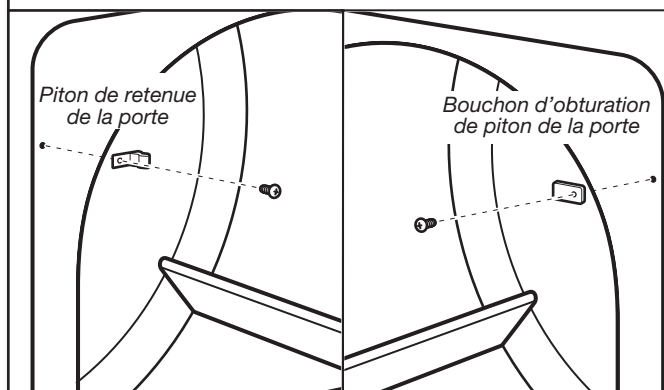
Retourner la porte de façon à ce que la poignée soit orientée vers le bas.

## 9. Fixer les charnières de porte



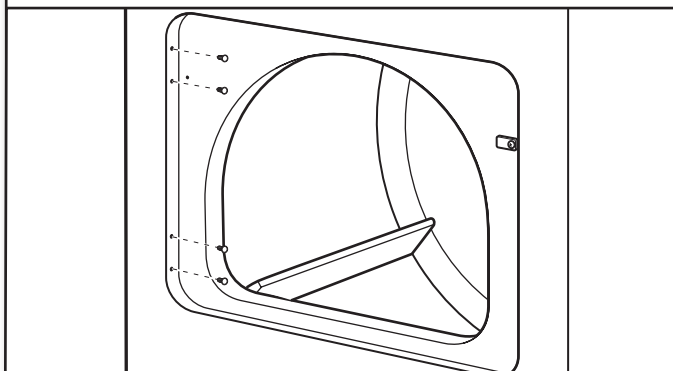
Réinstaller les charnières de porte sur la porte du sèche-linge de façon à ce que le trou le plus gros se trouve dans la partie inférieure de la charnière.

## 10. Retirer le pignon de retenue de la porte et le bouchon d'obturation de pignon de la porte



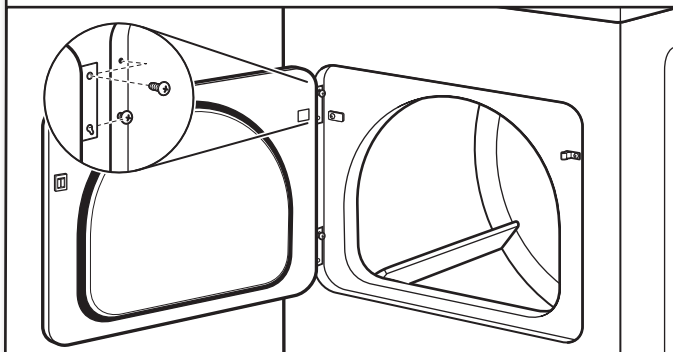
Retirer le pignon de retenue de la porte et le bouchon d'obturation de pignon de la porte de la caisse du sèche-linge. Insérer le pignon de retenue de la porte dans le trou du bouchon d'obturation de pignon de la porte et fixer avec une vis. Insérer le bouchon d'obturation de pignon de la porte dans le trou d'origine de pignon de la porte et fixer avec une vis.

## 11. Retirer les bouchons d'obturation de charnière et les transférer



Utiliser un petit tournevis à lame plate pour retirer avec précaution les 4 bouchons d'obturation du côté gauche de la caisse du sèche-linge. Transférer les bouchons d'obturation dans les trous de charnière du côté opposé de la caisse du sèche-linge.

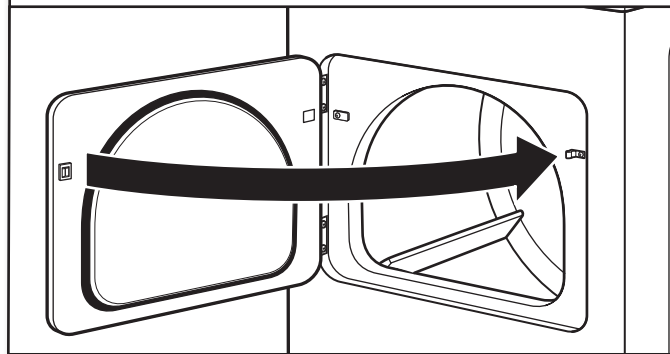
## 12. Insérer les vis dans les trous de charnière de la caisse du sèche-linge



**REMARQUE :** Il faudra peut-être deux personnes pour réinstaller la porte.

Insérer les vis dans les trous inférieurs du côté gauche de la caisse du sèche-linge. Serrer les vis à moitié. Positionner la porte de façon à ce que le côté large de l'encoche de la charnière de porte se trouve au-dessus des vis. Faire glisser la porte vers le haut de façon à ce que les vis se trouvent au fond des encoches. Resserrer les vis. Insérer les vis supérieures dans les charnières et les serrer.

## 13. Contrôler l'alignement du piton de la porte



Fermer la porte et vérifier que le piton de la porte est aligné avec le piton de retenue de la porte. Au besoin, faire glisser la gâche de la porte vers la gauche ou vers la droite à l'intérieur de l'encoche pour régler l'alignement.

## DÉPANNAGE

Voir le Guide d'utilisation et d'entretien ou consulter notre site Web et la "Foire aux questions" pour tenter d'éviter le coût d'une intervention de réparation.

## SEGURIDAD DE LA SECADORA

### Su seguridad y la seguridad de los demás es muy importante.

Hemos incluido muchos mensajes importantes de seguridad en este manual y en su electrodoméstico. Lea y obedezca siempre todos los mensajes de seguridad.



Este es el símbolo de alerta de seguridad.

Este símbolo le llama la atención sobre peligros potenciales que pueden ocasionar la muerte o una lesión a usted y a los demás.

Todos los mensajes de seguridad irán a continuación del símbolo de advertencia de seguridad y de la palabra "PELIGRO" o "ADVERTENCIA". Estas palabras significan:

 **PELIGRO**

Si no sigue las instrucciones de inmediato, usted puede morir o sufrir una lesión grave.

 **ADVERTENCIA**

Si no sigue las instrucciones, usted puede morir o sufrir una lesión grave.

Todos los mensajes de seguridad le dirán el peligro potencial, le dirán cómo reducir las posibilidades de sufrir una lesión y lo que puede suceder si no se siguen las instrucciones.



## ADVERTENCIA - "Riesgo de incendio"

- La instalación de la secadora de ropa debe estar a cargo de un instalador competente.
- Instale la secadora de ropa según las instrucciones del fabricante y los códigos locales.
- No instale una secadora de ropa con materiales de ventilación de plástico flexible o un conducto de metal flexible (de hoja de metal). Si se usa un conducto de metal flexible, éste deberá ser de un tipo específico, que esté identificado por el fabricante de electrodomésticos como apto para ser usado con secadoras de ropa. Es sabido que los materiales de ventilación flexible se derrumban, se aplastan con facilidad y atrapan pelusa. Estas condiciones obstruirán el flujo de aire de la secadora de ropa y aumentarán el riesgo de incendio.
- Para reducir el riesgo de lesiones severas o la muerte, siga todas las instrucciones de instalación.
- Guarde estas instrucciones.




## PRECAUCIÓN - RIESGO DE INCENDIO/ DE MATERIALES INFLAMABLES

Éste es un símbolo adicional de la alarma de la seguridad que las alarmas usted al riesgo de incendio.



## INSTRUCCIONES IMPORTANTES DE SEGURIDAD

**ADVERTENCIA:** A fin de reducir el riesgo de incendio, choque eléctrico o de daño a las personas que usen la secadora, deben seguirse las precauciones básicas, incluidas las siguientes:

- Lea todas las instrucciones antes de usar la secadora. 
- Mantenga un espacio mínimo de por lo menos 100 mm (4 pulg) entre la parte posterior de la secadora y cualquier pared.
- El funcionamiento de este aparato puede afectar el funcionamiento de otros tipos de aparatos que obtienen el suministro de aire para la combustión segura desde la misma habitación. Debe haber una ventilación adecuada para reemplazar el aire de salida y de esta manera evitar el contraflujo de gases en la habitación proveniente de aparatos que queman otros combustibles, incluyendo fuegos abiertos, cuando haga funcionar la secadora con rotación. Si tiene duda, consulte a los fabricantes de electrodomésticos.
- No obstruya el suministro de aire a la secadora (vea las Instrucciones de instalación para los espacios mínimos).
- No coloque los objetos expuestos a aceite para cocinar en su secadora. Los artículos impregnados con aceite pueden incendiarse espontáneamente, especialmente cuando se los expone a fuentes de calor, como una secadora que gira. Los artículos pueden calentarse, lo que causa una reacción de oxidación en el aceite. La oxidación produce calor. Si el calor no puede escapar, los artículos pueden ponerse lo suficientemente calientes como para prenderse fuego. Si se hacen pilas, se amontonan o se guardan artículos manchados con aceite, esto impedirá que el calor se escape y ocasionará un peligro de incendio.
- Si no puede evitarse el secar artículos que se hayan ensuciado con sustancias tales como aceite de cocina, acetona, alcohol, gasolina, queroseno, quitamanchas, aguarrás, ceras y quitaceras, o que hayan sido contaminados por productos para el cuidado del cabello, éstos deberán lavarse en agua caliente con una cantidad adicional de detergente antes de secarse en la secadora. Estos artículos pueden despedir vapores que pueden encenderse o causar una explosión. Este lavado reducirá pero no eliminará el riesgo.
- Este aparato no ha sido diseñado para ser usado por personas (incluidos niños menores de 8 años) con capacidad física, sensorial o mental reducida, o falta de experiencia y conocimiento, a menos que lo hagan bajo supervisión o siguiendo las instrucciones relativas al uso del aparato, a cargo de personas responsables por su seguridad.
- Los niños sólo pueden realizar la limpieza y el mantenimiento del usuario bajo supervisión.
- Los niños pequeños deberán estar bajo supervisión para asegurarse de que no jueguen con el electrodoméstico.
- Los niños menores de 3 años deben permanecer lejos del electrodoméstico, a menos que estén bajo continua supervisión.
- No deberá usarse la secadora si se han usado productos químicos industriales para la limpieza.
- Retire todos los objetos que haya en los bolsillos, como mecheros y cerillas, antes de introducir la prenda en la secadora.
- Quite la puerta de la secadora al compartimiento de secado antes de ponerla fuera de funcionamiento o de descartarla.
- No introduzca las manos en la secadora cuando el tambor está en movimiento. Para su seguridad se ha incluido un interruptor de puerta.
- No instale o almacene esta secadora donde estará expuesta a la intemperie.
- No trate de forzar los controles.
- No continúe usando este aparato si parece estar defectuoso.
- No repare o reemplace ninguna pieza de la secadora ni trate de repararla a menos que esto se recomiende específicamente en el Manual de uso y cuidado. La reparación y el servicio deben ser hechos solamente por un personal de servicio competente.
- No utilice suavizantes de telas o productos para eliminar la estática de prendas a menos que lo recomiende el fabricante del suavizante de telas o del producto en uso. Siga sus instrucciones.
- Limpie el filtro de pelusa antes o después de cada carga. No ponga a funcionar la secadora sin el filtro de pelusa en su lugar.
- Mantenga el área alrededor de la abertura de ventilación y entrada y las áreas adyacentes a esta abertura sin pelusa, polvo o tierra.
- Vea "Requisitos eléctricos" para las instrucciones de conexión a tierra.
- No seque en esta secadora artículos que no hayan sido lavados.
- La parte final de un ciclo de rotación en la secadora ocurre sin calor (ciclo de enfriamiento) para asegurarse de que los artículos se dejen a una temperatura que asegure que no se dañarán.
- Los artículos tales como goma espuma (espuma de látex), gorras de baño, telas a prueba de agua, artículos con reverso de goma y prendas o almohadas rellenas de goma espuma, deberán secarse solamente en el tendedero.
- Si se ha dañado el cable de suministro de energía, deberá ser reemplazado por el fabricante, el agente de servicio o una persona similarmente calificada con el fin de evitar riesgos. El enchufe macho de conexión debe ser conectado solamente a un enchufe hembra de las mismas características técnicas del enchufe en materia.
- Este aparato se ha diseñado para uso doméstico únicamente. Está prohibido el uso comercial del electrodoméstico.

**ADVERTENCIA:** Nunca detenga una secadora que esté girando antes de que se termine el ciclo de secado, a menos que todos los artículos se hayan sacado y separado rápidamente, para que se disipe el calor.

**GUARDE ESTAS INSTRUCCIONES**

## ADVERTENCIA

### Peligro de incendio

Si no se siguen las advertencias de seguridad con exactitud, se podrían producir lesiones graves, muertes o daños a la propiedad.

No instale un ventilador de refuerzo en el conducto de escape.

Instale todas las secadoras de ropa de acuerdo con las instrucciones de instalación del fabricante de las secadoras.

### PARA SU SEGURIDAD

1. NO USE NI GUARDE GASOLINA NI OTROS MATERIALES INFLAMABLES DENTRO DE ESTE APARATO NI CERCA DEL MISMO.
2. NO ROCÍE CON AEROSOLES EN LA PROXIMIDAD DE ESTE APARATO MIENTRAS ESTÉ EN FUNCIONAMIENTO.
3. NO MODIFIQUE ESTE APARATO.



Este electrodoméstico está marcado de acuerdo con la directiva europea 2012/19/EU sobre Residuos de Equipos Eléctricos y Electrónicos (Waste Electrical and Electronic Equipment – WEEE).

Asegurándose de que este producto será eliminado correctamente, usted ayudará a prevenir consecuencias negativas potenciales para el medio ambiente y la salud humana, que podrían causarse por el manejo inapropiado de este producto.

El símbolo sobre el producto, o en los documentos que acompañan al producto, indica que este electrodoméstico no puede tratarse como basura doméstica. Contrariamente, deberá ser entregado al punto de recogida correspondiente para el reciclado de equipos eléctricos y electrónicos.

La eliminación debe llevarse a cabo de acuerdo con las regulaciones ambientales locales para la eliminación de basura.

Para información más detallada acerca del tratamiento, recuperación y reciclado de este producto, por favor, contacte con su oficina municipal local, su servicio de eliminación de basura doméstica o la tienda donde compró el producto.

### INSTRUCCIONES IMPORTANTES DE SEGURIDAD

Antes de guardar o descartar su vieja secadora, quítele la puerta.

### GUARDE ESTAS INSTRUCCIONES

## ESPECIFICACIONES

Estas unidades se venden en varias regiones con requisitos diferentes para medir la capacidad. A continuación se enumeran algunas de las formas válidas de medición indicadas en este producto:

**Capacidad de carga con artículos secos:** Una medida de peso que refleje el tamaño máximo de carga que se pueda poner en la secadora.

**Capacidad IEC (Comisión electrotécnica internacional):** La medida de capacidad que representa la capacidad máxima de artículos y telas secas que el fabricante declara que pueden tratarse en un ciclo específico.

<b>Capacidad de carga con artículos secos</b>
-----------------------------------------------

15 kg (33 lb)
---------------

<b>Capacidad IEC</b>
----------------------

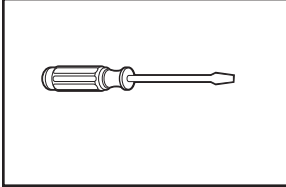
7 kg (15 lb)
--------------

# REQUISITOS DE INSTALACIÓN

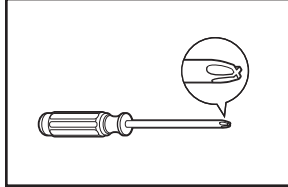
## Herramientas y piezas

Reúna las herramientas y piezas necesarias antes de comenzar la instalación.

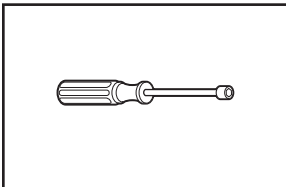
### Herramientas necesarias para todas las instalaciones:



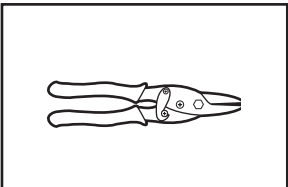
Destornillador de hoja plana



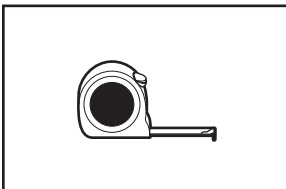
Destornillador Phillips # 2



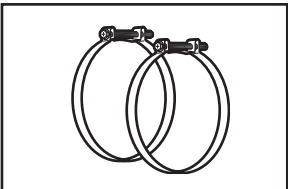
Llave de tuercas o llave de cubo de 6 mm (1/4") (se recomienda)



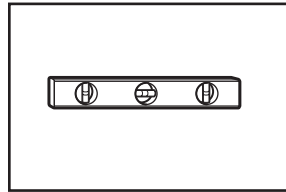
Tijeras de lata (instalaciones del nuevo ducto de escape)



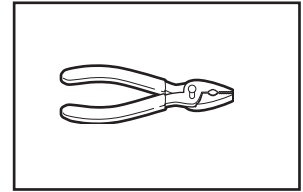
Cinta de medir



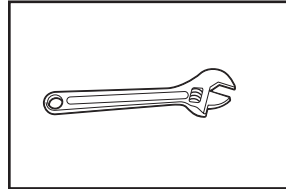
Abrazaderas para ducto



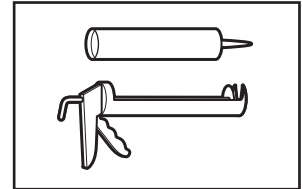
Nivel



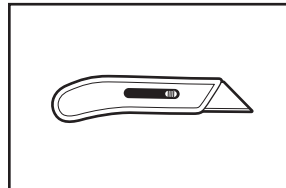
Pinzas



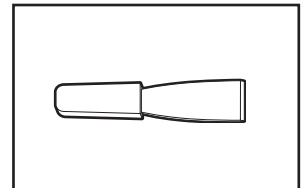
Llave ajustable que se abra a 25 mm (1") o llave de cubo de cabeza hexagonal



Pistola y masilla para calafateo (para instalar el nuevo ducto de escape)

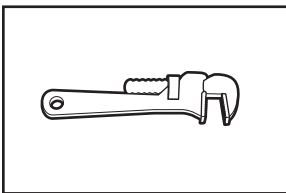


Cuchillo para uso general

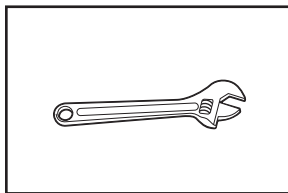


Cuchillo para masilla

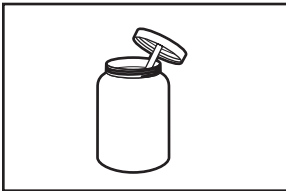
## Herramientas necesarias para las instalaciones a gas:



Llave para tubos de 203 mm ó 254 mm (8" ó 10")

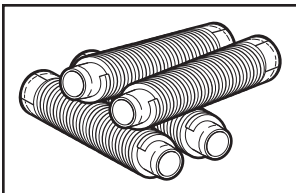


Llave de tuercas ajustable de 203 mm ó 254 mm (8" ó 10")

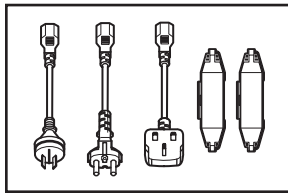


Pegamento para tuberías resistente a gas LP

## Piezas suministradas:



Patas niveladoras (4)



Enchufes y cubierta de la traba del cable (se suministran con algunos modelos solamente)

El paquete con piezas está ubicado en el tambor de la secadora. Verifique que estén todas las piezas.

## Piezas necesarias:

Verifique los códigos locales. Verifique el suministro eléctrico y la ventilación existentes. Vea "Requisitos eléctricos" y "Requisitos de ventilación" antes de comprar las piezas.

Verifique los requisitos de los códigos. Algunos códigos limitan, o no permiten, la instalación de la secadora en garajes, clósets, casas rodantes o en dormitorios. Póngase en contacto con el inspector de construcciones de su localidad.

## Equipo optativo: (No se provee con la secadora)

Consulte su Manual de uso y cuidado para obtener información acerca de los accesorios disponibles para su secadora.

## Requisitos de ubicación

### ⚠ ADVERTENCIA



#### Peligro de Explosión

**Mantenga los materiales y vapores inflamables, tales como la gasolina, alejados de la secadora.**

**No instale en un garage.**

**No seguir estas instrucciones puede ocasionar la muerte, explosión o incendio.**

#### Usted necesitará:

- Una ubicación que permita una instalación adecuada del ducto de escape. Vea "Requisitos de ventilación".
- Un circuito separado de 30 amperios para secadoras eléctricas.
- Un circuito separado de 15 ó 20 amperios para secadoras a gas.
- Si está usando un cable de suministro de energía, un contacto con conexión a tierra ubicado a no más de 610 mm (2 pies) de cualquiera de los lados de la secadora. Vea "Requisitos eléctricos".
- Un piso resistente para soportar la secadora y un peso total (secadora y carga) de 90,7 kg (200 lb). También se debe considerar el peso adicional de un electrodoméstico que le acompañe.
- Un piso nivelado con un declive máximo de 25 mm (1") debajo de la secadora completa. Si el declive es mayor que 25 mm (1"), instale el Juego de extensión de patas de la secadora, pieza N° 279810. Si la secadora no está nivelada, la ropa quizás no gire adecuadamente y los ciclos con sensor automático posiblemente no funcionen como es debido.

No ponga a funcionar su secadora a temperaturas inferiores a 7°C (45°F). A temperaturas inferiores, es posible que la secadora no se apague al final de un ciclo automático. Los tiempos de secado pueden prolongarse.

No debe instalarse ni guardarse la secadora en un área en donde pueda estar expuesta al agua y/o a la intemperie.

Verifique los requisitos de los códigos. Algunos códigos limitan, o no permiten, la instalación de la secadora en garajes, clósets, casas rodantes o en dormitorios. Póngase en contacto con el inspector de construcciones de su localidad.

**NOTA:** No se puede instalar otro electrodoméstico que usa combustible en el mismo clóset en que se encuentra la secadora.

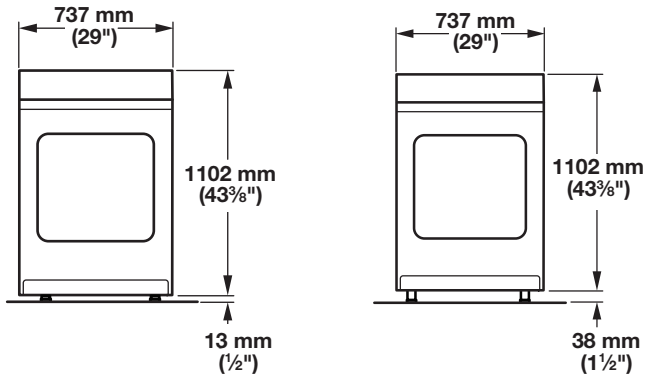
## Espacios para la instalación:

La ubicación debe ser lo suficientemente grande para poder abrir completamente la puerta de la secadora.

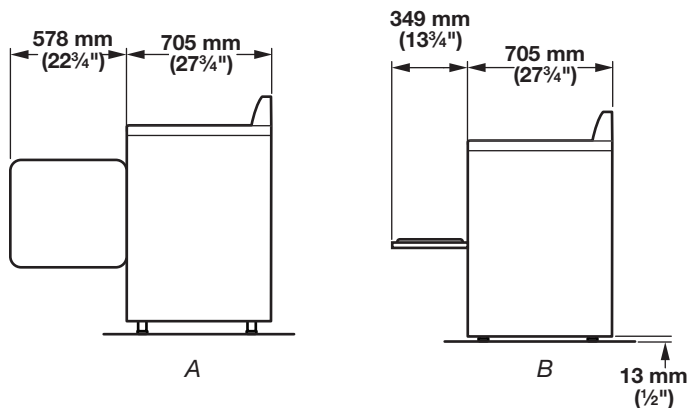
No instale el aparato detrás de una puerta con cerradura, una puerta corredera o una puerta con bisagra en el lado opuesto al de la secadora que pueda limitar la apertura completa de la puerta de ésta.

La mayoría de las instalaciones requieren un espacio mínimo de 140 mm (5½") detrás de la secadora para acomodar el ducto de escape con codo. Vea "Requisitos de ventilación".

## Dimensiones de la secadora

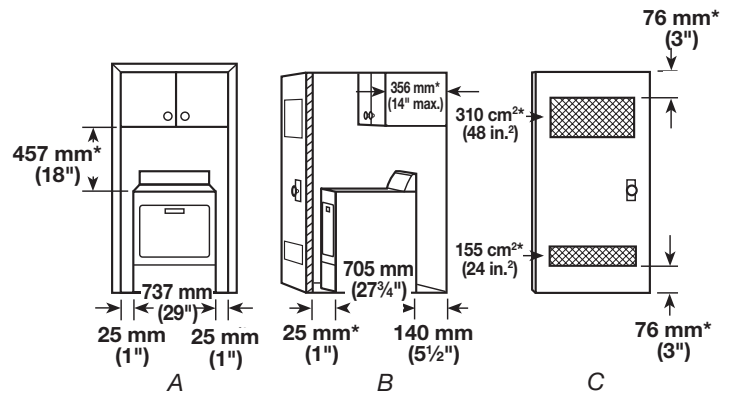


**NOTA:** Las patas niveladoras deben estar a 13 mm (1/2") (para coincidir con la altura de la lavadora de 0,102 m<sup>3</sup> [3,6 pies<sup>3</sup>] de capacidad) o 38 mm (1½") (para coincidir con la altura de la lavadora de 0,108 m<sup>3</sup> [3,8 pies<sup>3</sup>] de capacidad).



A. Puerta ancha de apertura lateral  
B. Puerta ancha de apertura vertical

## Espacio para la instalación



A. Área empotrada  
B. Vista lateral - clóset o lugar confinado  
C. Puerta de clóset con orificios de ventilación

\*Espacio necesario

## Espacio para la instalación en un lugar empotrado o en un clóset

Las dimensiones que se ilustran son para el espacio mínimo permitido.

- Debe considerarse espacio adicional para facilitar la instalación y el servicio técnico.
- Se podrían necesitar espacios libres adicionales para las molduras de la pared, puerta y piso.
- Se recomienda un espacio adicional de 25 mm (1") en todos los lados de la secadora para reducir la transferencia de ruido.
- Para la instalación en clóset, con una puerta, se requieren aberturas de ventilación mínimas en la parte superior e inferior de la puerta. Se aceptan puertas tipo persianas con aberturas de ventilación equivalentes.
- También se debe considerar espacio adicional para otro electrodoméstico que le acompañe.

## Requisitos de instalación adicionales para las casas rodantes

Esta secadora es apropiada para instalaciones en casas rodantes. La instalación debe ajustarse a los códigos locales.

- Piezas de ferretería para el sistema de escape de metal, que están disponibles para la venta.
- Se deben tomar medidas especiales en el caso de casas rodantes para introducir el aire del exterior en la secadora. La abertura (como la de una ventana adyacente) deberá ser por lo menos el doble de tamaño que la abertura de ventilación de la secadora.

# CONEXIÓN DE ENERGÍA DE LA SECADORA ÉLECTRICA

## Requisitos eléctricos

### ⚠ ADVERTENCIA



**Voltaje Peligroso**

Esta secadora se suministra sin cable eléctrico ni enchufe. Debe ser conectada por un electricista competente a un suministro eléctrico monofásico al voltaje mostrado en la placa, usando una instalación apropiada de cableado fijo de acuerdo a las normas de cableado locales y nacionales.

- Debe usarse un cable circular de tres hilos de tamaño mínimo de conductor con un área de sección transversal de 4 mm<sup>2</sup>.
- Debe usarse un fusible de suministro de 30 A y deberá incluirse un interruptor con un contacto de separación en ambos polos que provea una desconexión completa bajo condiciones de voltaje excesivo de categoría III en el cableado fijo, de acuerdo con las normas de cableado locales. La secadora deberá colocarse de manera tal que el interruptor de desconexión esté claramente visible y fácilmente accesible para el usuario. Este interruptor de desconexión también tiene la función de control de parada de emergencia para el usuario.
- La secadora viene provista con una abrazadera de sujeción para cables, la cual debe apretarse al completar el cableado. Las terminales eléctricas principales están ubicadas detrás del pequeño panel de acceso trasero (cubierta del bloque terminal), y las conexiones deben hacerse de acuerdo a las marcas del terminal. Recuerde que debe volver a colocar el panel de acceso del terminal (cubierta del bloque terminal).

**NOTA:** De acuerdo a la Directiva EMC Europea (2004/108/EC), la impedancia máxima del sistema de suministro de electricidad máxima a la cual la secadora eléctrica debe estar conectada es 0,054 Ohm + j0,034 Ohm.

**NOTA:** Estándares de seguridad sobre electricidad: El fabricante ha elegido cumplir con los estándares IEC/EN.60335 por ser los más apropiados para este producto.

### ⚠ ADVERTENCIA



#### Peligro de descarga eléctrica

Ésta es una secadora de 3 hilos y debe estar conectada a tierra.

No haga la conexión a tierra sobre una tubería de gas.

No seguir estas instrucciones puede ocasionar la muerte, incendio o lesiones graves.

Si los códigos lo permiten y se emplea una ligadura de conexión a tierra adicional, es recomendable que un electricista calificado determine si la trayectoria de conexión a tierra de la ligadura es adecuada.

#### Método recomendado de conexión a tierra

Es su responsabilidad ponerse en contacto con un instalador eléctrico calificado para asegurarse de que la instalación eléctrica sea adecuada y de conformidad con todos los códigos y ordenanzas locales.



## INSTALACIÓN DE LAS PATAS NIVELADORAS

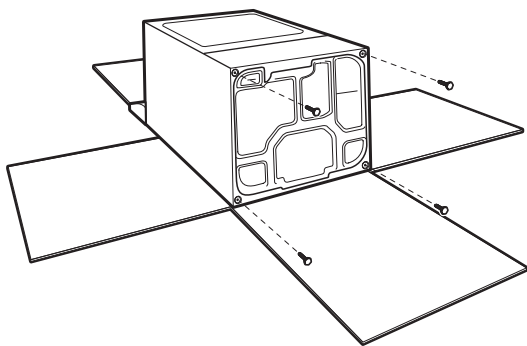
### ⚠️ ADVERTENCIA

#### Peligro de Peso Excesivo

Use dos o más personas para mover e instalar la secadora.

No seguir esta instrucción puede ocasionar una lesión en la espalda u otro tipo de lesiones.

### 1. Prepare la secadora para las patas niveladoras



Para evitar daños en el piso, use un pedazo de cartón grande y plano de la caja de la secadora; colóquelo debajo de todo el borde posterior de la secadora. Agarre con firmeza el cuerpo de la secadora (no el panel de la consola) y coloque la secadora suavemente sobre el cartón.

### 2. Atornille las patas niveladoras

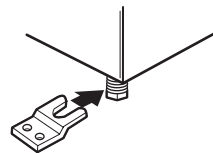


Con una llave inglesa y cinta métrica, atornille las patas en sus orificios hasta que la parte inferior de la pata esté a aproximadamente 13 mm (1/2") (para coincidir con la altura de la lavadora de 0,102 m<sup>3</sup> [3,6 pies<sup>3</sup>] de capacidad) o 38 mm (1 1/2") (para coincidir con la altura de la lavadora de 0,108 m<sup>3</sup> [3,8 pies<sup>3</sup>] de capacidad) de la parte inferior de la secadora.

Ahora coloque la secadora en posición vertical. Deslice la secadora cerca de su ubicación final. Deje suficiente espacio para la conexión eléctrica y para conectar el ducto de escape.

#### Para uso en casas rodantes

Las secadoras a gas deberán sujetarse firmemente al piso.



Las instalaciones en casas rodantes requieren un Juego de sujeción para la instalación en casas rodantes. Para obtener información acerca de cómo pedirlo, consulte el Manual de uso y cuidado.

# CONEXIÓN DE ENERGÍA DE LA SECADORA A GAS

## Requisitos del suministro de gas

### ⚠ ADVERTENCIA



#### Peligro de Explosión

Use una línea de suministro de gas nueva con aprobación CSA Internacional.

Instale una válvula de cierre.

Apriete firmemente todas las conexiones de gas.

Si se conecta a un suministro de gas L.P., la presión no debe exceder una columna de agua de 330 mm (13 pulg) y debe ser verificada por una persona calificada.

Ejemplos de una persona calificada incluyen:

personal de servicio del sistema de calefacción con licencia,  
personal autorizado de la compañía de gas, y  
personal autorizado para dar servicio.

No seguir estas instrucciones puede ocasionar la muerte, explosión o incendio.

## Tipo de gas

### Gas natural:

Esta secadora está equipada para uso con gas natural. Su diseño está certificado por CSA International para gases LP (de propano o butano) con la conversión apropiada.

- Su secadora debe tener el quemador adecuado para el tipo de gas que tiene en su casa. La información respecto al quemador está ubicada en la placa de clasificación que está en la cavidad de la puerta de su secadora.

### Conversión de gas LP:

La conversión deberá llevarla a cabo un técnico calificado.

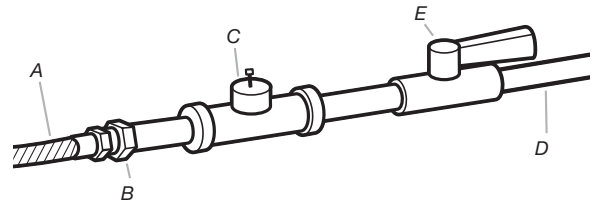
No se deberá hacer intento alguno para convertir la secadora del gas especificado en la placa indicadora del modelo/de la serie para utilizar un gas distinto sin consultar con el abastecedor de gas.

**IMPORTANTE:** La instalación de gas debe cumplir con los códigos locales.

## Línea de suministro de gas

- Se recomienda un tubo IPS de 13 mm (1/2").
- Es aceptable una tubería de 9,5 mm (3/8") para las longitudes menores de 6,1 m (20 pies) si lo permiten los códigos locales y del proveedor de gas.
- Debe incluir una derivación tapada NPT de por lo menos 3,2 mm (1/8") accesible para la conexión del manómetro de prueba, inmediatamente arriba de la conexión de suministro de gas a la secadora (vea la ilustración).
- Debe tener una válvula de cierre.

La válvula de cierre deberá ubicarse en un lugar donde se pueda alcanzar con facilidad para cerrarla y abrirla.



A. Conector flexible de gas de 9,5 mm (3/8")

B. Accesorio adaptador abocinado para tubo de 9,5 mm (3/8")

C. Derivación tapada NPT por lo menos de 3,2 mm (1/8")

D. Línea de suministro de gas NPT de 13 mm (1/2")

E. Válvula de cierre de gas

## Requisitos para la conexión del suministro de gas

Existen muchos métodos mediante los cuales puede conectar su secadora a gas al suministro de gas. He aquí algunas directivas para dos métodos diferentes de conexión.

Esta secadora debe conectarse a la línea de suministro de gas con un conector de gas flexible que cumpla con los códigos locales.

### Opción 1 (Método recomendado)

Conector de gas flexible de acero inoxidable:

- Si los códigos locales lo permiten, use un conector de gas flexible nuevo de acero inoxidable (diseño certificado por CSA International), para conectar su secadora a la línea rígida de suministro de gas. Use un codo y un accesorio adaptador abocinado NPT de 9,5 mm (3/8") por 9,5 mm (3/8") entre el conector de gas de acero inoxidable y el tubo de gas de la secadora, para evitar que se doblen.

### Opción 2 (Método alternativo)

Tubería aprobada de aluminio o de cobre:

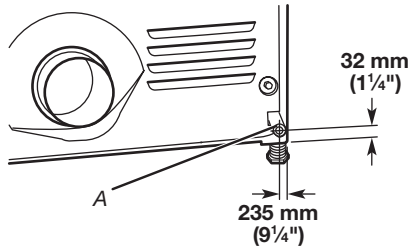
- Las longitudes mayores de 6,1 m (20 pies) pueden usar una tubería aprobada de 9,5 mm (3/8") (si los códigos y el abastecedor de gas lo permiten).
- Si usted está usando gas natural, no use tubería de cobre.
- Un adaptador abocinado NPT de 9,5 mm (3/8") por 9,5 mm (3/8") entre el tubo de la secadora y la tubería aprobada de 9,5 mm (3/8").
- Para las longitudes mayores de 6,1 m (20 pies) se deberán usar tuberías más largas y un accesorio adaptador de tamaño distinto.

- Si su secadora ha sido convertida para usar gas LP, se puede usar tubería de cobre compatible con LP de 9,5 mm (3/8"). Si la longitud total de la línea de suministro es mayor que 20 pies (6,1 m), use un tubo más largo.

**NOTA:** Deben usarse compuestos para uniones de tubería que sean resistentes a la acción del gas LP. No utilice TEFLON<sup>†</sup>.

### El tubo de gas de la secadora

- El tubo de gas que sale por la parte posterior de su secadora tiene una conexión de rosca macho de 9,5 mm (3/8").



A. Tubo de la secadora NPT de 9,5 mm (3/8")

### Requisitos de entrada del quemador

#### Elevaciones de hasta 3.048 m (10.000 pies):

- El diseño de esta secadora está certificado por CSA International para uso en altitudes que alcanzan los 3.048 m (10.000 pies) sobre el nivel del mar, en la categoría de BTU indicada en la placa del número de modelo/serie. No se requieren ajustes de entrada del quemador cuando se usa la secadora hasta esta altitud.

#### Elevaciones por encima de 3.048 m (10.000 pies):

- Si se instala la secadora a un nivel superior a los 3.048 m (10.000 pies), de altitud, se requiere una reducción de categoría de BTU del 4% del quemador, que se muestra en la placa del número de modelo/serie, por cada incremento de 305 m (1.000 pies) de altitud.

#### Prueba de presión del suministro de gas

- Durante pruebas de presión a presiones mayores de 352 kg/m<sup>2</sup> (1/2 lb/pulg<sup>2</sup>), la secadora debe ser desconectada del sistema de tubería del suministro de gas.

## Requisitos Eléctricos

### ⚠ ADVERTENCIA



#### Peligro de Choque Eléctrico

Conecte a un enchufe de pared de conexión a tierra.

No quite la terminal de conexión a tierra.

No use un adaptador.

No use un cable eléctrico de extensión.

No seguir estas instrucciones puede ocasionar la muerte, incendio o choque eléctrico.

- Se necesita un suministro eléctrico de 220–240 voltios, 50 o 60 hertzios, CA solamente, de 15 ó 20 amperios y protegido con fusibles. Se recomienda un fusible retardador o un cortacircuitos. Asimismo se recomienda el uso de un circuito independiente que preste servicio únicamente a esta secadora.

### INSTRUCCIONES PARA LA CONEXIÓN A TIERRA

- Para la conexión de una secadora mediante cable eléctrico conectado a tierra:

Esta secadora debe estar conectada a tierra. En el caso de funcionamiento defectuoso o avería, la conexión a tierra reducirá el riesgo de choque eléctrico al proporcionar una vía de menor resistencia para la corriente eléctrica. Esta secadora está equipada con un cable que cuenta con un conductor para la conexión a tierra del equipo y un enchufe de conexión a tierra. El enchufe debe conectarse en un contacto apropiado, que esté debidamente instalado y conectado a tierra de acuerdo con todos los códigos y ordenanzas locales.

**ADVERTENCIA:** La conexión indebida del conductor para la conexión a tierra del equipo puede ocasionar un riesgo de choque eléctrico. Verifique con un electricista, representante o personal de servicio técnico calificado para asegurarse de que la conexión a tierra de la secadora sea apropiada. No modifique el enchufe proporcionado con la secadora. Si no encaja en el contacto, contrate un electricista calificado para que instale un contacto adecuado.

### GUARDE ESTAS INSTRUCCIONES

†TEFLON es una marca registrada de Chemours.

# VENTILACIÓN

## Requisitos de ventilación

### ⚠️ ADVERTENCIA



#### Peligro de Incendio

Use un ducto de escape de metal pesado.

No use un ducto de escape de plástico.

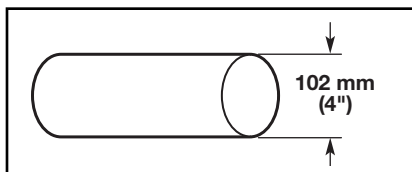
No use un ducto de escape de aluminio.

No seguir estas instrucciones puede ocasionar la muerte o incendio.

**ADVERTENCIA:** Para reducir el riesgo de incendio, esta secadora DEBE VENTILARSE HACIA EL EXTERIOR.

**IMPORTANTE:** Observe todas las normas y ordenanzas vigentes.

El ducto de escape de la secadora no debe conectarse a ningún ducto de escape de gas, chimenea, pared, techo, ático, espacio angosto o el espacio oculto de un edificio. Deberá usarse solamente un ducto de metal rígido o flexible para el escape.



Ducto de escape de metal pesado de 102 mm (4")

- Sólo puede usarse un ducto de escape de metal pesado de 102 mm (4") y abrazaderas.
- No use ducto de escape de plástico o de hoja de metal.

#### Ducto de escape de metal rígido:

- Se recomienda para un mejor desempeño en el secado y para evitar que se aplaste o se tuerza.

**Ducto de escape de metal flexible:** (Es aceptable sólo si es accesible para la limpieza)

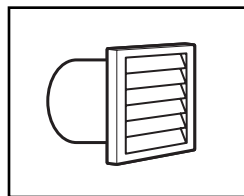
- Deberá extenderse por completo y tener soporte en la ubicación final de la secadora.
- Quite el exceso del mismo para evitar que se doble y se tuerza, lo cual podría dar lugar a una reducción del flujo de aire y a un rendimiento insuficiente.
- No instale un ducto de escape de metal flexible en paredes, techos o pisos encerrados.
- El largo total no debe exceder 2,4 m (7<sup>3</sup>/<sub>4</sub> pies).

**NOTA:** Si se usa un sistema de ventilación existente, limpie la pelusa que está en toda la longitud del sistema y asegúrese de que la capota de ventilación no esté obstruida con pelusa. Reemplace los ductos de escape de plástico o de hoja de metal por ductos de metal rígido o de metal flexible. Revise el "Cuadro del sistema de ventilación" y, si es necesario, modifique el sistema de ventilación existente para lograr el mejor desempeño de secado.

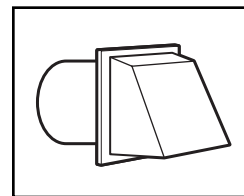
#### Capotas de ventilación:

- Deberán estar a por lo menos 305 mm (12") desde el piso o cualquier objeto que pueda obstruir la salida (tales como flores, rocas, arbustos o nieve).

#### Estilos recomendados:

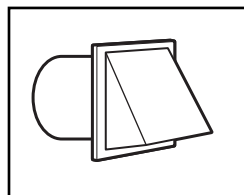


Capota tipo persiana



Capota tipo caja

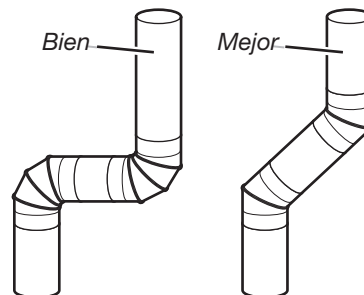
#### Estilo aceptable:



Capota angular

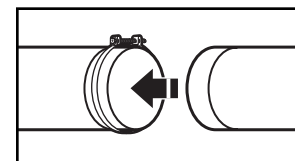
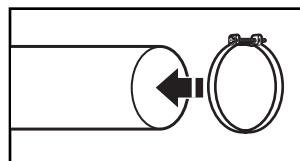
#### Codos:

- Los codos de 45° proveen un mejor flujo de aire que los codos de 90°.



#### Abrazaderas:

- Utilice abrazaderas para sellar todas las juntas.
- No debe conectarse ni asegurarse el ducto de escape con tornillos ni con ningún otro dispositivo que se extienda hacia el interior de dicho ducto y atrape pelusa. No utilice cinta adhesiva para conductos.



**La ventilación inadecuada puede ocasionar la acumulación de humedad y pelusa en la casa, lo cual puede dar como resultado:**

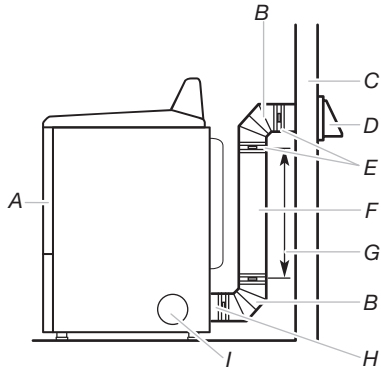
- Daños de humedad en la carpintería, muebles, pintura, empapelado, alfombras, etc.
- Problemas en la limpieza de la casa y de salud.

Para obtener más información, vea "Juegos de ventilación".

## Planificación del sistema de ventilación

### Seleccione su tipo de instalación de ventilación

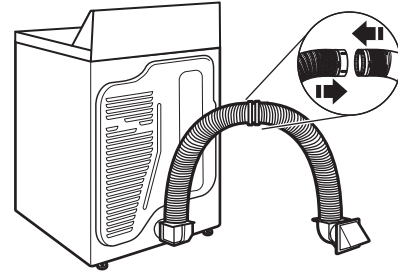
Las instalaciones típicas tienen la ventilación en la parte posterior de la secadora. Otras instalaciones son posibles.



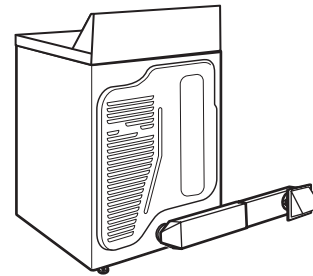
- A. Secadora
- B. Codo
- C. Pared
- D. Capota de ventilación
- E. Abrazaderas
- F. Ducto de metal rígido o de metal flexible
- G. Longitud necesaria del ducto de escape para conectar los codos
- H. Salida de ventilación
- I. Salida de escape lateral opcional

### Instalaciones alternas para espacios limitados

Los sistemas de ventilación vienen en una amplia gama. Seleccione el tipo más apropiado para su instalación. A continuación se ilustran dos tipos de instalación para espacios limitados. Consulte las instrucciones del fabricante.



*Instalación en la parte superior  
(también está disponible con un codo de desviación)*



*Instalación de periscopio*

**NOTA:** Se pueden adquirir los siguientes juegos para instalaciones alternas en espacios limitados.

## ⚠ ADVERTENCIA

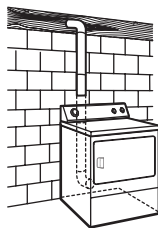


### Peligro de Incendio

Cubra los orificios de escape no usados con un juego de cubierta para orificios de escape del fabricante.

Comuníquese con su distribuidor local.

No seguir estas instrucciones puede ocasionar la muerte, incendio, choque eléctrico, o lesiones graves.



*Instalación estándar con ventilación en la parte posterior y conexiones indirectas*

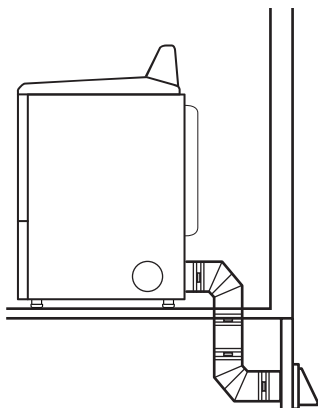
## Juegos de ventilación

Para obtener más información, visítenos en [www.applianceaccessories.com](http://www.applianceaccessories.com) o contacte con el distribuidor donde compró la secadora o con una empresa de servicio autorizado.

Número de pieza	Descripción
8171587RP	Periscopio metálico de 0" a 5"
4396037RP	Periscopio metálico de 0" a 18"
4396011RP	Periscopio metálico de 18" a 29"
4396014	Periscopio metálico de 29" a 50"
4392892	Periscopio metálico DuraVent™ para pared
4396028	Juego de ventilación Sure Connect™ (instalación por la parte superior)
4396009RP	Ducto de conexión universal de 5', ducto de ventilación flexible para secadora
4396010RP	Ducto escape de 6' SecureConnect™, ducto de ventilación flexible para secadora
4396013RB	Juego para el instalador del ducto de escape para secadora
4396033RP	Ducto de ventilación flexible de 5' y abrazaderas
4396727RP	Ducto de ventilación flexible de 8' y abrazaderas
4396004	Codo de desviación para secadora
4396005	Codo de desviación para pared
4396006RW	Codo para espacios reducidos DuraSafe™
4396007RW	Capota de ventilación a través de la pared
4396008RP	Abrazaderas de acero de 4" para ducto de escape para secadora – paquete de 2
8212662	Capota de ventilación de montaje al ras tipo persiana de 4"

### Previsiones especiales para las instalaciones en casas rodantes:

El ducto de escape deberá sujetarse firmemente en un lugar no inflamable de la estructura de la casa rodante y no debe terminar debajo de la casa rodante. El ducto de escape debe terminar en el exterior.



### Determinación de la vía del ducto de escape:

- Seleccione la vía que proporcione el trayecto más recto y directo al exterior.
- Planifique la instalación a fin de usar el menor número posible de codos y vueltas.
- Cuando use los codos o haga vueltas, deje todo el espacio que sea posible.
- Doble el ducto gradualmente para evitar torceduras.
- Use la menor cantidad posible de vueltas de 90°.

### Determinación de la longitud del ducto de escape y de los codos necesarios para obtener un óptimo rendimiento de secado:

- Use el "Cuadro del sistema de ventilación" a continuación para determinar el tipo de material para ducto y la combinación de capota aceptable a usar.
 

**NOTA:** No use tendidos de ducto de escape más largos que los especificados en el "Cuadro del sistema de ventilación". Los sistemas de ventilación más largos que los especificados:

  - Acortarán la vida de la secadora.
  - Reducirán el rendimiento, dando lugar a tiempos de secado más largos y un aumento en el consumo de energía.

El "Cuadro del sistema de ventilación" indica los requisitos de ventilación que le ayudarán a alcanzar el mejor rendimiento de secado.

### Cuadro del sistema de ventilación

No. de vueltas de 90° o codos	Tipo de ducto	Capotas tipo caja/persiana	Capotas angular
0	<b>Metal rígido</b>	20 m (64 pies)	17,7 m (58 pies)
1	<b>Metal rígido</b>	16,5 m (54 pies)	14,6 m (48 pies)
2	<b>Metal rígido</b>	13,4 m (44 pies)	11,6 m (38 pies)
3	<b>Metal rígido</b>	10,7 m (35 pies)	8,8 m (29 pies)
4	<b>Metal rígido</b>	8,2 m (27 pies)	6,4 m (21 pies)

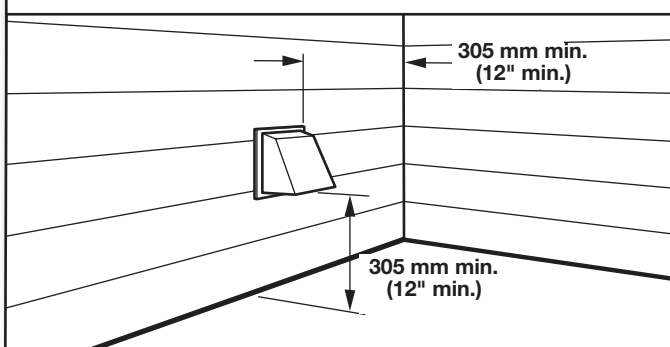


## Cuadro del sistema de ventilación (Sólo los modelos con ducto de escape largo)

No. de vueltas de 90° o codos	Tipo de ducto	Capotas tipo caja/persiana, o angular
0	Metal rígido	36,6 m (120 pies)
1	Metal rígido	33,5 m (110 pies)
2	Metal rígido	30,5 m (100 pies)
3	Metal rígido	27,4 m (90 pies)
4	Metal rígido	24,4 m (80 pies)
5	Metal rígido	21,3 m (70 pies)

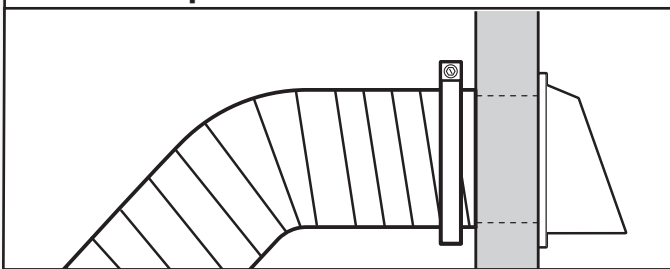
## Instalación del sistema de ventilación

### 1. Instale la capota de ventilación



Instale la capota de ventilación y use compuesto para calafateo para sellar la abertura exterior de la pared alrededor de la capota de ventilación.

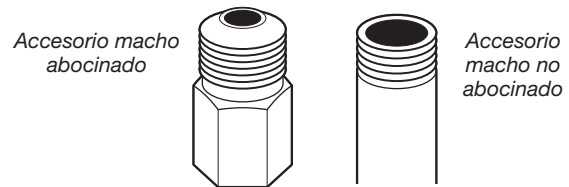
### 2. Conecte el ducto de escape a la capota de ventilación



El ducto de escape debe encajar sobre la capota de ventilación. Asegure el ducto de escape a la capota de ventilación con una abrazadera de 102 mm (4"). Extienda el ducto de escape a la ubicación de la secadora usando la trayectoria más recta que sea posible. Evite giros de 90°. Utilice abrazaderas para sellar todas las juntas. Para asegurar el ducto de escape, no use cinta para ductos, tornillos ni otros dispositivos de fijación que se extiendan hacia el interior de dicho ducto, ya que pueden atrapar pelusa.

## CONEXIÓN DEL SUMINISTRO DE GAS

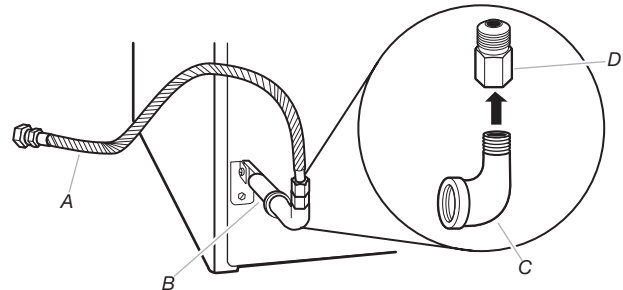
### 1. Conecte la línea de suministro de gas a la secadora



Quite la tapa roja del tubo de gas. Utilizando una llave de tuercas para ajustar, conecte el suministro de gas a la secadora. Use compuesto para unión de tubos en las rosas de todos los accesorios macho no abocinados. Si se usa tubería flexible de metal, asegúrese de que no hayan partes retorcidas.

**NOTA:** Para las conexiones de gas LP, debe usar un compuesto para unión de tuberías resistente a la acción del gas LP. No utilice cinta TEFLON®.

### 2. Planifique la conexión del accesorio para la tubería



A. Conector flexible de gas de 9,5 mm (3/8")

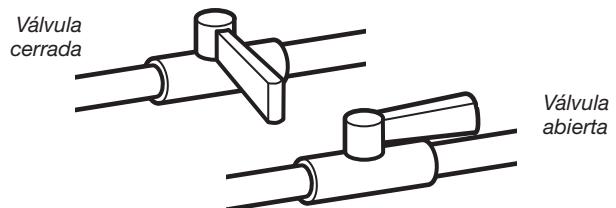
B. Tubo de la secadora de 9,5 mm (3/8")

C. Codo de tubería de 9,5 mm (3/8") a 9,5 mm (3/8")

D. Accesorio adaptador abocinado para tubo de 9,5 mm (3/8")

Se debe usar una combinación de accesorios para tuberías para conectar la secadora a la línea de suministro de gas existente. Se muestra una conexión recomendada. Su conexión puede ser distinta, de acuerdo con el tipo de línea de suministro, tamaño y ubicación.

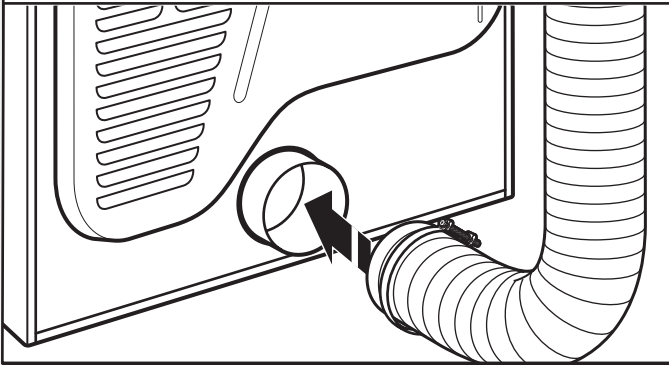
### 3. Válvula de cierre abierta



Abra la válvula de cierre en la línea de suministro; la válvula está abierta cuando la manija está paralela al tubo de gas. Luego pruebe todas las conexiones aplicando con un cepillo una solución aprobada para detección de fugas que no sea corrosiva. Se observarán burbujas si hay fugas. Tape cualquier fuga que encuentre.

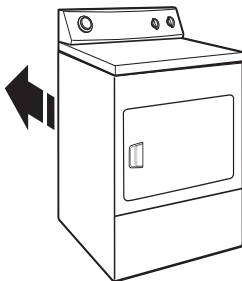
## CONEXIÓN DEL DUCTO DE ESCAPE

### 1. Conecte el ducto de escape a la salida de escape



Usando una abrazadera de 102 mm (4"), conecte el ducto de escape a la salida de aire de la secadora. Si se conecta a un ducto de escape existente, asegúrese de que el mismo esté limpio. El ducto de escape de la secadora debe encajar sobre la salida de aire de la secadora y dentro de la capota de ventilación. Cerciérese de que el ducto de escape esté asegurado a la capota de ventilación con una abrazadera de 102 mm (4").

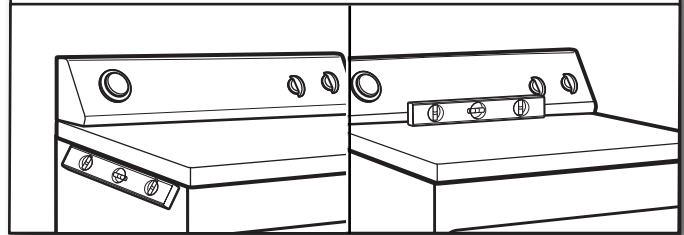
### 2. Traslade la secadora hacia su ubicación final



Traslade la secadora hacia su ubicación final. Evite aplastar o retorcer el ducto de escape. Después de que la secadora se encuentre en su ubicación final, quite los esquinales y el cartón que están debajo de la misma.

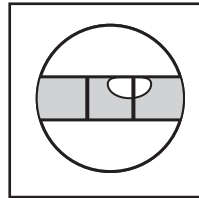
## NIVELACIÓN DE LA SECADORA

### 1. Nivele la secadora

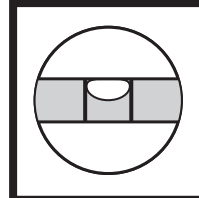


Revise la nivelación de la secadora de lado a lado. Repita el procedimiento de adelante hacia atrás.

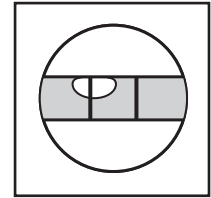
**NOTA:** La secadora debe estar nivelada para que el sistema de detección de humedad funcione correctamente.



No está nivelada

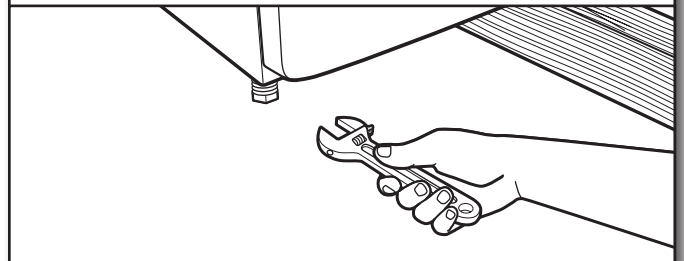


**NIVELADA**



No está nivelada

### 2. Apriete y regule las patas niveladoras



Si la secadora no está nivelada o a la misma altura que la lavadora, levántela usando un bloque de madera. Use una llave de tuercas para regular las patas hacia arriba o hacia abajo y verifique nuevamente si la secadora está nivelada. Una vez que las patas estén niveladas, cerciérese de que las cuatro patas estén ajustadas contra el suelo antes de apretarlas.

# INSTALACIÓN DEL CABLE ELÉCTRICO

(en algunos modelos)

**IMPORTANTE:** Sólo debe estar a cargo de personal de servicio autorizado de Whirlpool Corporation.

## ⚠ ADVERTENCIA



### Peligro de Choque Eléctrico

Conecte a un enchufe de pared de conexión a tierra.

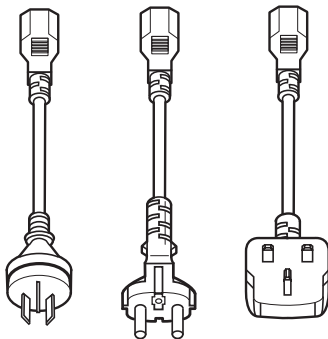
No quite la terminal de conexión a tierra.

No use un adaptador.

No use un cable eléctrico de extensión.

No seguir estas instrucciones puede ocasionar la muerte, incendio o choque eléctrico.

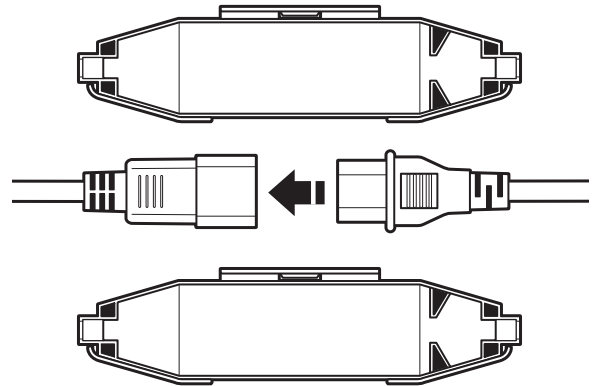
## 1. Seleccione el enchufe



Seleccione el enchufe que encaje en el receptáculo eléctrico.

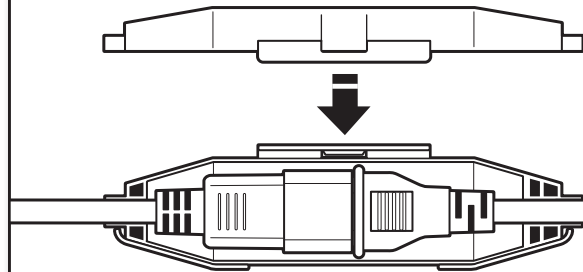
**NOTA:** Los tipos y la cantidad de enchufes varían según el modelo.

## 2. Ensamble el enchufe



Ensamble el enchufe dentro del extremo del cable eléctrico, ubicado en la parte posterior de la secadora.

## 3. Asegure el cable eléctrico



Asegure el cable de suministro de energía colocando la conexión sobre la traba del cable. Coloque la cubierta de la traba del cable y empuje hasta que encaje a presión. Cerciérese de que la conexión del cable de suministro de energía esté colocada en el bloqueo del cable y que la traba del cable se sujete correctamente.

Conecte el cable de suministro eléctrico a un contacto de pared de conexión a tierra. Encienda el suministro de energía.

## LISTA DE CONTROL DE LA INSTALACIÓN TERMINADA

- Verifique que todas las piezas estén ahora instaladas. Si hay alguna pieza extra, vuelva a revisar todos los pasos para ver qué se omitió.
- Verifique que tenga todas las herramientas.
- Deshágase de todos los materiales de embalaje o recíclelos.
- Revise la ubicación final de la secadora. Asegúrese de que el ducto de escape no esté aplastado ni retorcido.
- Verifique que la estufa esté nivelada. Vea “Nivelación de la secadora”.
- Quite la película que está en la consola y cualquier cinta adhesiva que haya quedado en la secadora.
- Limpie el interior del tambor de la secadora meticulosamente con un paño húmedo, para quitar residuos de polvo.
- Lea “Uso de la secadora” en el Manual de uso y cuidado.
- Fije la secadora en un ciclo con calor máximo (no en un ciclo de aire) por 20 minutos y póngala en marcha.

### Si la secadora no funciona, revise lo siguiente:

- Que la secadora esté conectada en un contacto de 3 terminales con conexión a tierra.
- Que el suministro eléctrico esté conectado.
- Que el fusible de la casa esté intacto y ajustado, o que no se haya disparado el cortacircuitos.
- Que la puerta de la secadora esté cerrada.

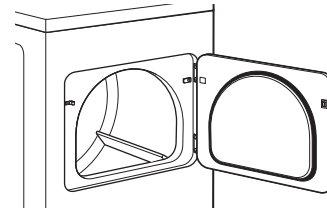
- Cuando la secadora haya estado funcionando por 5 minutos, abra la puerta y sienta si hay calor. Si siente calor, cancele el ciclo y cierre la puerta.

Si no siente calor, apague la secadora y verifique si la válvula de cierre de la línea de suministro de gas está abierta.

- Si la válvula de cierre de la línea de suministro de gas está cerrada, ábrala y repita la prueba de 5 minutos como se ha descrito arriba.
- Si la válvula de cierre de la línea de suministro de gas está abierta, contacte a un técnico calificado.

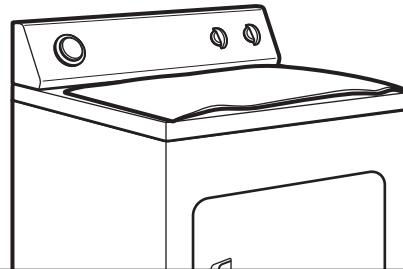
**NOTA:** Podrá notar un olor cuando la secadora se calienta por primera vez. Este olor es común cuando se usa por primera vez el elemento calefactor. El olor desaparecerá.

## CAMBIO DEL SENTIDO DE ABERTURA DE LA PUERTA (OPCIONAL)



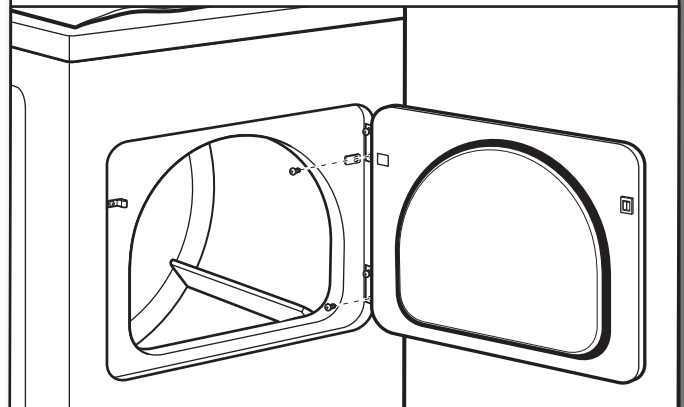
**NOTA:** Un destornillador imantado es útil.

### 1. Coloque una toalla sobre la secadora



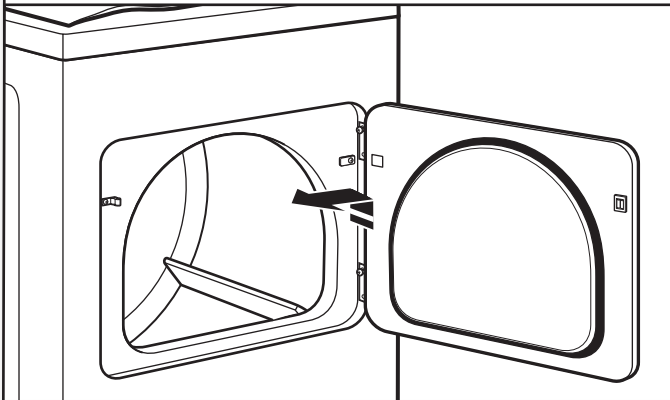
Coloque una toalla encima de la secadora para evitar dañar la superficie.

### 2. Quite los tornillos de la parte inferior



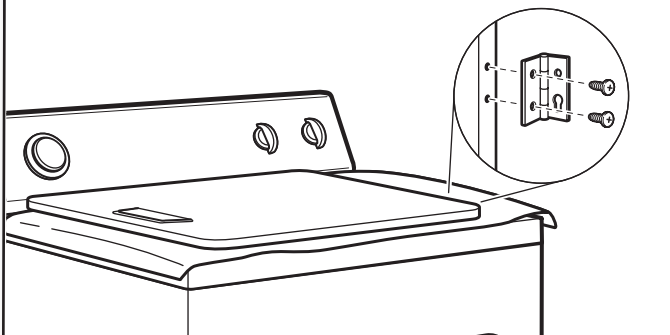
Abra la puerta de la secadora. Extraiga los tornillos inferiores de las bisagras del lado de la carcasa. Afloje (no extraiga) los tornillos superiores de las bisagras del lado de la carcasa de la secadora.

### 3. Levante y quite la puerta de los tornillos de la parte superior



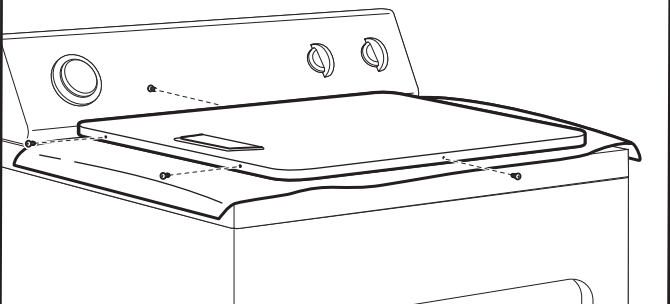
Levante la puerta hasta que los tornillos superiores de la carcasa estén en la parte grande de la ranura de la bisagra. Jale la puerta hacia adelante para separarla de los tornillos. Coloque la puerta (con el lado de la manija hacia arriba) encima de la secadora. Extraiga los tornillos superiores de la carcasa de la secadora.

### 4. Quite los tornillos de las bisagras



Quite los tornillos que unen las bisagras con la puerta.

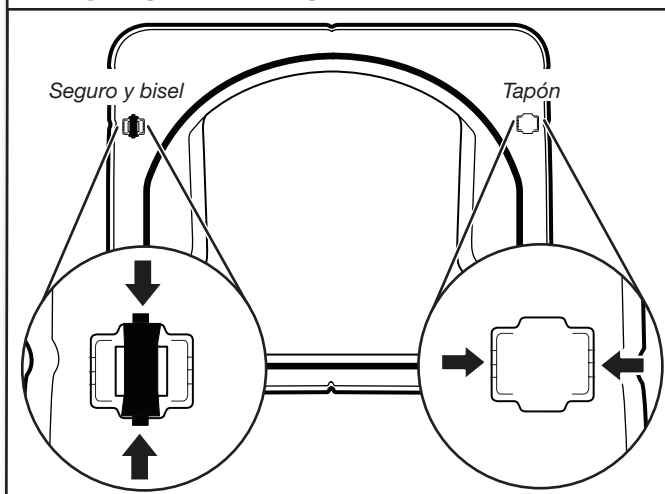
### 5. Quite los tornillos de la puerta



Quite los tornillos de la parte superior, inferior y lateral de la puerta (4 tornillos) que mantienen juntas la puerta interior y la exterior. Sosteniendo la puerta sobre la toalla encima de la secadora, sujete los lados de la puerta exterior y levántela para separarla de la puerta interior. Deje a un lado la puerta exterior.

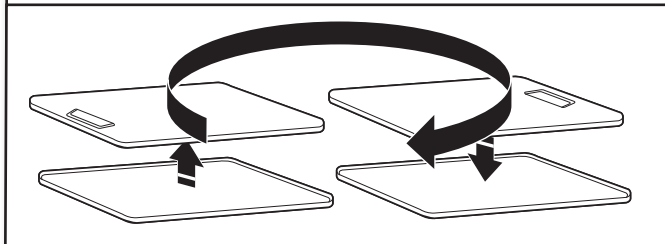
**NOTA:** No haga palanca con un cuchillo para masilla o un destornillador. No jale el sello de la puerta ni los seguros de plástico de la puerta.

### 6. Cambie de lugar el seguro, bisel y tapón de la puerta



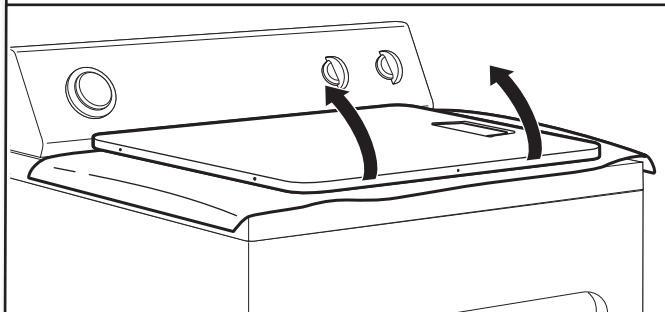
Quite el seguro, el bisel y el tapón de la parte posterior de la puerta interior apretando y jalándolos/empujándolos. Coloque el seguro, el bisel y el tapón de la puerta en los lados opuestos a los que se encontraban.

### 7. Gire la puerta exterior



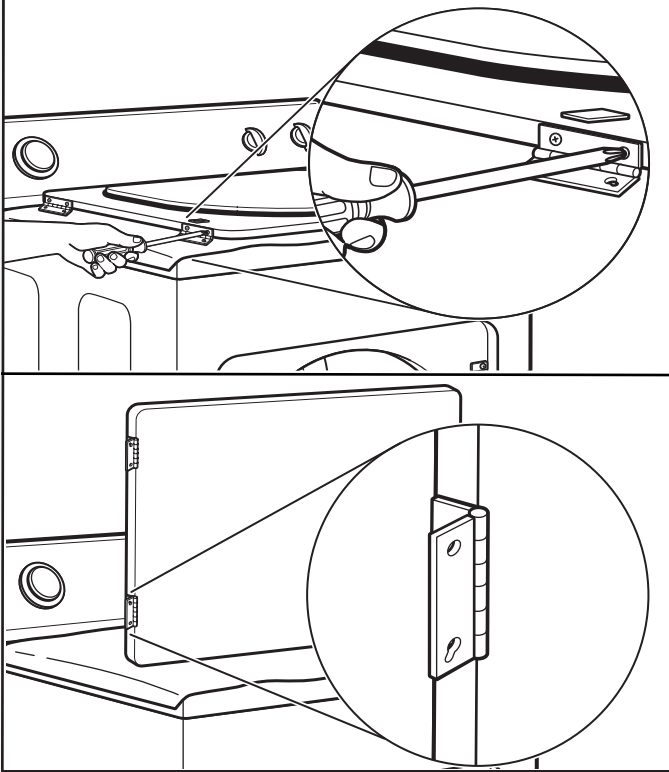
Gire la puerta exterior 180° y colóquela de nuevo sobre la puerta interior. Vuelva a sujetar el panel exterior al panel interior de la puerta, de modo que la manija quede en el lado en donde recién se han quitado las bisagras. Inserte los 4 tornillos de la puerta.

### 8. Dé vuelta la puerta



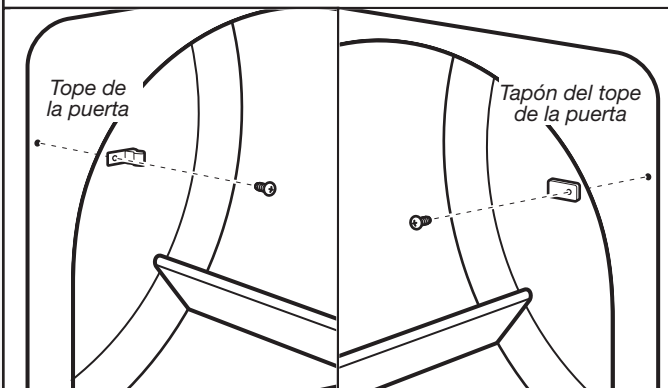
Dé vuelta la puerta de modo que la manija quede hacia abajo.

## 9. Sujete las bisagras de la puerta



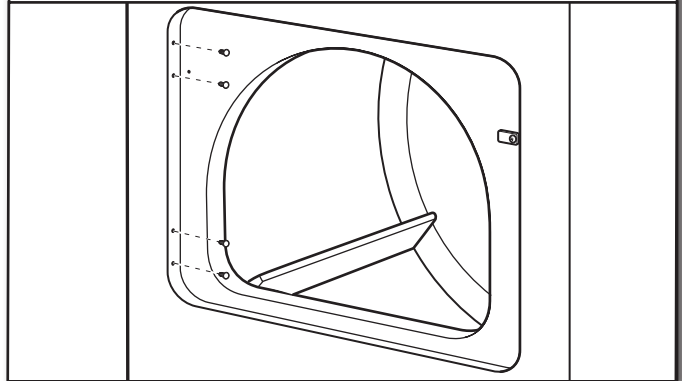
Vuelva a sujetar las bisagras de la puerta a la puerta de la secadora, de manera que el orificio más grande quede en la parte inferior de la bisagra.

## 10. Quite el tope de la puerta y el tapón del tope de la puerta



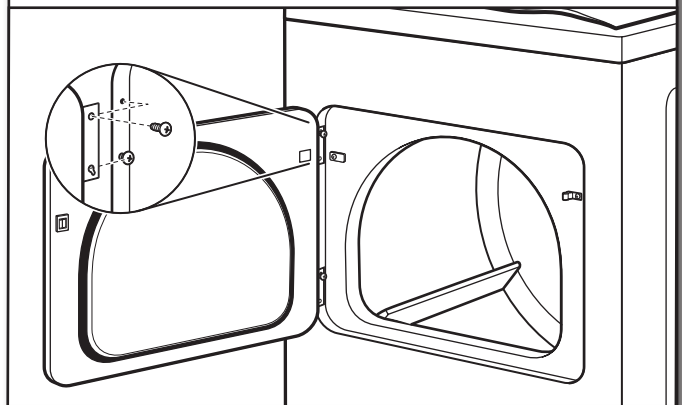
Saque el tope de la puerta y el tapón del tope de la puerta del gabinete de la secadora. Inserte el tope de la puerta en el orificio del tapón del tope de la puerta y asegúrelo con un tornillo. Inserte el tapón del tope de la puerta en el orificio del tope original y asegúrelo con un tornillo.

## 11. Quite y transfiera los tapones de los orificios de la bisagra



Use un destornillador pequeño de hoja plana para quitar cuidadosamente 4 tapones de los orificios de las bisagras en el lado izquierdo de la carcasa de la secadora. Mueva los tapones de los orificios de la bisagra al lado opuesto de la carcasa de la secadora.

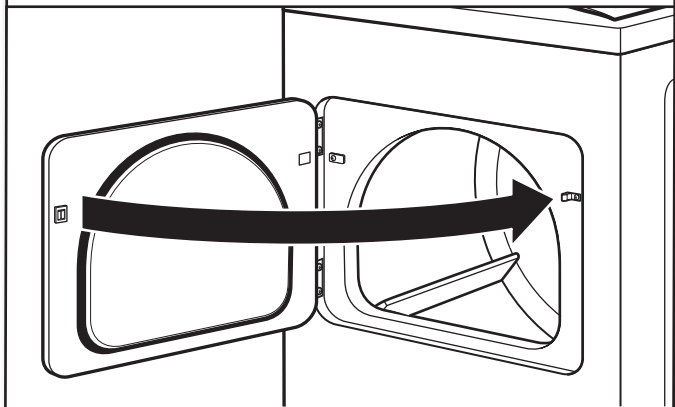
## 12. Inserte los tornillos en los orificios de la carcasa de la secadora



**NOTA:** Puede ser que necesite la ayuda de dos personas para instalar la puerta.

Introduzca los tornillos en los orificios inferiores del lado izquierdo de la carcasa de la secadora. Atorníllelos por la mitad. Coloque la puerta de tal forma que el extremo grande de la ranura de la bisagra esté sobre los tornillos. Deslice la puerta hacia arriba para que los tornillos estén en la parte de abajo de las ranuras. Apriete los tornillos. Introduzca y apriete los tornillos superiores en las bisagras.

### 13. Revise el alineamiento del tope de la puerta



Cierre la puerta y asegúrese de que el tope de la misma esté alineado con el seguro de la puerta. Si es necesario, deslice el seguro de la puerta hacia la izquierda o derecha dentro de la ranura a fin de ajustar la alineación.

---

## SOLUCIÓN DE PROBLEMAS

Consulte el Manual de uso y cuidado o visite nuestro sitio de internet y consulte “Preguntas que se hacen con frecuencia”, para evitar posiblemente el costo de una visita de servicio técnico.



## SICUREZZA DELL'ASCIUGATRICE

### La sicurezza propria e altrui è fondamentale.

Nel presente manuale e sull'apparecchiatura sono riportati molti importanti messaggi relativi alla sicurezza. Leggere e osservare sempre tutti i messaggi relativi alla sicurezza.



Questo è il simbolo di pericolo.

Questo simbolo segnala potenziali pericoli per l'incolumità propria e altrui.

Tutte le norme relative alla sicurezza sono riportate dopo il simbolo di avvertenza e dopo il termine "PERICOLO" o "AVVERTENZA". Questi termini indicano quanto segue:

 **PERICOLO**

La mancata osservanza immediata delle istruzioni riportate comporta il rischio di lesioni gravi o fatali.

 **AVVERTENZA**

La mancata osservanza delle istruzioni riportate comporta il rischio di lesioni gravi o fatali.

Tutte le norme relative alla sicurezza indicano il potenziale rischio, le modalità per ridurre la possibilità di lesioni e le conseguenze del mancato rispetto delle istruzioni riportate.



### **AVVERTENZA** - "Rischio d'incendio"

- L'asciugatrice dev'essere installata da un tecnico esperto.
- Installare l'asciugatrice rispettando le istruzioni del produttore e le normative locali.
- Non installare l'asciugatrice con materiali di plastica flessibile per lo scarico. Per l'installazione di canaline in metallo flessibile (a lamina), utilizzare esclusivamente i tipi specificati ritenuti idonei dal produttore dell'elettrodomestico per l'utilizzo con asciugatrici. I materiali flessibili per lo scarico cedono, possono essere schiacciati facilmente e trattengono residui. Queste condizioni ostruiscono il flusso d'aria dell'asciugatrice aumentando il rischio d'incendio.
- Per ridurre il rischio di gravi lesioni o di morte, attenersi a tutte le istruzioni d'installazione.
- Conservare le presenti istruzioni.



### **AVVERTENZA** - RISCHIO D'INCENDIO/ MATERIALI INFIAMMABILI

Ciò è un simbolo supplementare di allarme di sicurezza che allarmi voi al rischio d'incendio.

#### **AVVERTENZA**

##### Pericolo di incendio

La mancata osservanza degli avvisi di sicurezza può causare lesioni gravi, morte o danno alla proprietà.

Non installare una ventola di rinforzo nel condotto di scarico.


Installare tutte le asciugatrici biancheria attenendosi alle istruzioni di installazione del produttore dell'asciugatrice.

## PER LA VOSTRA SICUREZZA

1. NON USARE O RIPORRE BENZINA O MATERIALI INFIAMMABILI NELL'APPARECCHIO O NELLE SUE VICINANZE.
2. NON USARE PRODOTTI SPRAY IN PROSSIMITÀ DELL'APPARECCHIO MENTRE È UN FUNZIONE.
3. NON MODIFICARE L'APPARECCHIO.

## ISTRUZIONI IMPORTANTI PER LA SICUREZZA

**AVVERTENZA:** per ridurre il rischio di incendio, scossa elettrica o lesioni alle persone durante l'uso dell'asciugatrice, prendere le dovute precauzioni di base, tra cui:

- Leggere tutte le istruzioni prima di usare l'asciugatrice. 
- Mantenere una distanza minima di 100 mm (4 poll.) tra il lato posteriore dell'asciugatrice e la parete.
- La messa in funzione dell'apparecchio può influenzare la messa in funzione di altri tipi di apparecchio che attingono l'aria per la combustione sicura dallo stesso locale. Deve essere presente un'aerazione adeguata che permetta la sostituzione dell'aria consumata ed eviti che i gas derivanti da altri apparecchi che bruciano altri carburanti, incluse fiamme libere, rifluiscono nell'ambiente durante l'utilizzo dell'asciugatrice a tamburo. In caso di dubbio consultare i produttori degli apparecchi.
- Non ostruire la presa d'aria dell'asciugatrice (vedere le Istruzioni di installazione per gli spazi liberi minimi).
- Non inserire nell'asciugatrice capi sporchi di olio da cucina. I capi sporchi di olio possono prendere fuoco in modo spontaneo, specialmente se esposti a sorgenti di calore, come nell'asciugatrice. Questi capi si riscaldano a causa di una reazione di ossidazione nell'olio. L'ossidazione genera calore. Se il calore non riesce a disperdersi i capi possono riscaldarsi al punto di incendiarsi. Quando i capi contaminati con olio sono ammucchiati, impilati o riposti possono impedire la dispersione del calore e creare un rischio di incendio.
- Se è inevitabile asciugare in asciugatrice capi sporcati con sostanze come olio da cucina, acetone, alcol, benzina, kerosene, smacchiatori, acqueragia, cere e deceranti o che sono stati contaminati con prodotti per capelli, è necessario lavarli in acqua molto calda con una quantità di detergente aggiuntiva prima di essere asciugati in asciugatrice. Questi capi possono sprigionare vapori che potrebbero incendiarsi o esplodere. Il lavaggio sopra descritto riduce ma non elimina il rischio.
- Questo apparecchio non è destinato all'uso da parte di persone, inclusi bambini di età inferiore a 8 anni, con ridotte capacità fisiche, sensoriali o mentali o con esperienza e conoscenze inadeguate, a meno che non siano sorvegliati o abbiano ricevuto istruzioni relative all'uso dell'apparecchio da parte delle persone responsabili della loro sicurezza.
- La pulizia e la manutenzione ordinaria non devono essere effettuate da bambini senza la supervisione di un adulto.
- Sorvegliare i bambini affinché non giochino con l'apparecchio.
- Tenere i bambini di età inferiore a 3 anni lontano dall'apparecchio a meno che non siano direttamente sorvegliati.
- Non utilizzare l'asciugatrice se sono state usate sostanze chimiche industriali per la pulizia.
- Rimuovere tutti gli oggetti dalle tasche, come accendini e fiammiferi, prima di inserire i capi nell'asciugatrice.
- Prima di dismettere o smaltire l'asciugatrice, rimuovere lo sportello del vano di asciugatura.
- Non inserire la mano nell'asciugatrice se il tamburo è in movimento. È predisposto un interruttore di sicurezza per lo sportello.
- Non installare o riporre l'asciugatrice in luoghi esposti agli agenti atmosferici.
- Non manomettere i comandi.
- Non continuare a usare l'apparecchio se sembra difettoso.
- Non riparare o sostituire parti dell'asciugatrice o tentare alcuna manutenzione a meno che non sia chiaramente indicato nella Guida all'uso e alla manutenzione. Le riparazioni e la manutenzione devono essere eseguite esclusivamente da personale di assistenza competente.
- Non utilizzare ammorbidenti per tessuti per eliminare l'elettricità statica a meno che non siano consigliati dal fabbricante dell'ammorbidente o del prodotto. Seguire le istruzioni del fabbricante.
- Pulire il filtro pelucchi prima o dopo ogni carico. Non mettere in funzione l'asciugatrice senza il filtro pelucchi.
- Mantenere pulita l'area intorno allo sfiato e alla presa dell'aria, nonché le aree circostanti, eliminando pelucchi, polvere e sporcizia.
- L'interno dell'asciugatrice e il tubo di sfiato devono essere puliti periodicamente da personale di assistenza qualificato.
- Vedere "Requisiti elettrici" per la messa a terra.
- Non asciugare in asciugatrice capi che non siano stati lavati.
- La parte finale di un ciclo di asciugatura non utilizza calore (ciclo di raffreddamento), per assicurare che i capi siano lasciati a una temperatura che non li danneggi.
- Capi in gommapiuma (schiuma di lattice) cuffie per doccia, tessuti impermeabili, articoli con fodera gommata e indumenti o cuscini con imbottitura di gommapiuma devono essere asciugati appesi.
- Se il cavo di alimentazione è danneggiato, deve essere sostituito dal produttore, da personale di assistenza o da una persona con qualifica analoga per evitare rischi.

**AVVERTENZA:** non arrestare mai l'asciugatrice prima del termine del ciclo di asciugatura, salvo se si estraggono velocemente tutti i capi e li si stende per disperdere il calore.

**CONSERVARE QUESTE ISTRUZIONI**



Questo elettrodomestico è stato contrassegnato in ottemperanza alla Direttiva Europea 2012/19/EU sulle Attrezzature Elettriche ed Elettroniche da Smaltire (WEEE).

Assicurarsi che questo prodotto venga eliminato correttamente, in modo da evitare possibili conseguenze dannose per l'ambiente e la salute umana, che potrebbero altrimenti sorgere dalla gestione errata dello smaltimento dell'elettrodomestico stesso.

Il simbolo sul prodotto, o sui documenti che lo accompagnano, indica che questo elettrodomestico non deve essere trattato come un rifiuto domestico. Deve, al contrario, essere consegnato al punto di raccolta previsto per il riciclaggio di attrezzature elettriche ed elettroniche.

L'eliminazione deve essere eseguita in ottemperanza alle norme ambientali sullo smaltimento dei rifiuti.

Per ulteriori informazioni dettagliate sul trattamento, il recupero ed il riciclaggio di questo prodotto, si prega di contattare l'ufficio municipale più vicino, il servizio di smaltimento dei rifiuti domestici o il negozio dove è stato acquistato questo prodotto.

### ISTRUZIONI IMPORTANTI PER LA SICUREZZA

Al momento di smaltire o riporre la vecchia asciugatrice, rimuovere lo sportello.

**CONSERVARE QUESTE ISTRUZIONI**

---

## SPECIFICHE

Gli apparecchi sono commercializzati in varie regioni con indicazioni diverse per misurare la capacità. Di seguito sono riportati alcuni formati di misurazione validi pubblicati sul prodotto:

**Capacità lenzuola asciutte:** misura di peso che corrisponde alla dimensione massima del carico che può essere introdotto nell'asciugatrice.

**Capacità IEC:** misura di capacità che corrisponde alla quantità massima di lenzuola e tessuti asciutti, dichiarata dal produttore, che può essere trattata in uno specifico ciclo.

<b>Capacità lenzuola asciutte</b>
-----------------------------------

15 kg (33 lb)
---------------

<b>Capacità IEC</b>
---------------------

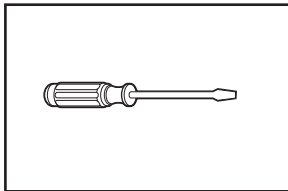
7 kg (15 lb)
--------------

# REQUISITI PER L'INSTALLAZIONE

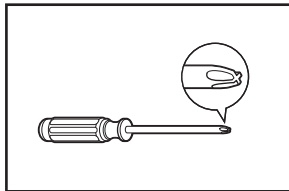
## Attrezzi e parti

Preparare gli attrezzi e le parti richieste prima di iniziare l'installazione.

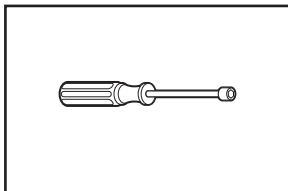
### Attrezzi richiesti per tutte le installazioni:



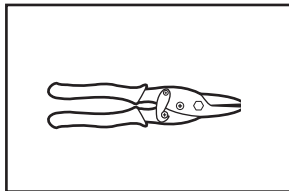
Cacciavite a lama piatta



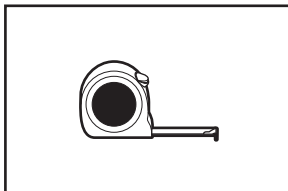
2 cacciaviti a croce



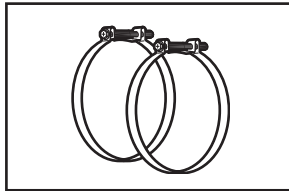
Chiave a T da 6 mm (1/4") o chiave a bussola (consigliata)



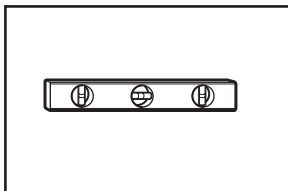
Cesoie da lattoniere (installazione di un nuovo sfiato)



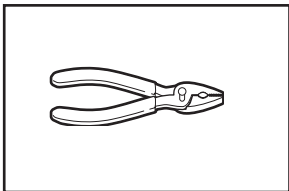
Metro a nastro



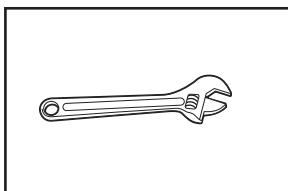
Fascette per lo sfiato



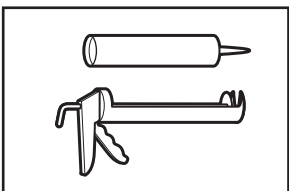
Livella



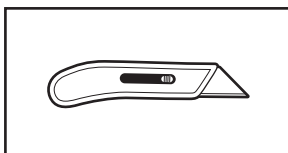
Pinze



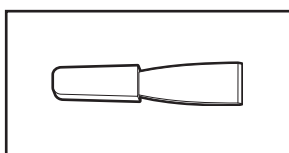
Chiave a rullino fino a 25 mm (1") o chiave esagonale



Pistola per sigillante e sigillante (per installare il nuovo tubo di sfiato)

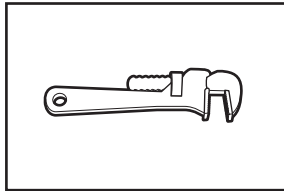


Cutter

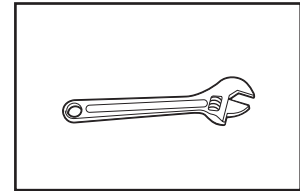


Spatola

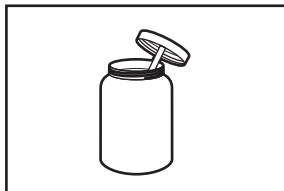
### Attrezzi richiesti per l'installazione a gas:



Giratubi da 203 mm o 254 mm (8" o 10")

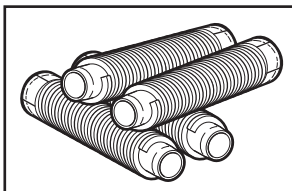


Chiave a rullino da 203 mm o 254 mm (8" o 10") (per collegamenti del gas)

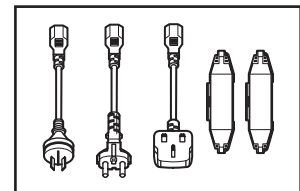


Sigillante in pasta omologato per GPL

### Parti in dotazione:



Piedini di messa in piano (4)



Coperchi di protezione per prese e cavi (solo per alcuni modelli)

La confezione con le parti si trova all'interno del tamburo. Controllare che siano presenti tutti gli elementi.

### Parti richieste:

Controllare i codici locali. Controllare l'impianto elettrico e il sistema di sfiato presenti. Vedere "Requisiti elettrici" e "Requisiti di sfiato" prima di acquistare le parti.

Controllare i requisiti legali. Alcune leggi limitano o vietano l'installazione di asciugatrici nei garage, in sgabuzzini, in unità abitative mobili o zone adibite al riposo notturno. Consultare l'ispettore edile.

### Attrezzatura facoltativa: (non fornita con l'asciugatrice)

Far riferimento alla Guida all'uso e alla manutenzione per gli accessori disponibili con l'asciugatrice.

## Requisiti per il posizionamento

### ⚠ AVVERTENZA



#### Rischio di esplosione

Tenere materiali e vapori infiammabili lontano dall'asciugatrice.

Non installare in un garage.

La mancata osservanza potrebbe essere causa di decesso, esplosione o incendio.

#### Che cosa serve:

- Un locale che consenta di installare correttamente il sistema di sfiato. Vedere "Requisiti di sfiato".
- Un circuito da 30 amp separato per le asciugatrici elettriche.
- Un circuito da 15 amp o 20 amp separato per le asciugatrici a gas.
- Se si utilizza un cavo di alimentazione, una presa elettrica con messa a terra che si trovi a 610 mm (2 ft.) da un lato dell'asciugatrice. Vedere "Requisiti elettrici".
- Pavimento robusto in grado di sostenere l'asciugatrice e un peso totale dato da asciugatrice e carico pari a 90,7 kg. (200 lbs). Si deve considerare inoltre il peso combinato di un altro apparecchio analogo.
- Pavimento in piano con pendenza massima di 25 mm (1") sotto l'intera area dell'asciugatrice. Se la pendenza è superiore a 25 mm (1"), installare il Kit prolunga piedini asciugatrice, Numero parte 279810. Se l'asciugatrice non è in piano, il carico non gira correttamente e i cicli automatici a sensore potrebbero non funzionare correttamente.

Non mettere in funzione l'asciugatrice a temperature inferiori a 7°C (45°F). A temperature più basse l'asciugatrice potrebbe non spegnersi alla fine di un ciclo automatico. I tempi di asciugatura possono risultare più lunghi.

L'asciugatrice non deve essere installata in un'area esposta ad acqua e/o agenti atmosferici.

Controllare i requisiti legali. Alcune leggi limitano o vietano l'installazione di asciugatrici nei garage, in sgabuzzini, in unità abitative mobili o zone adibite al riposo notturno. Consultare l'ispettore edile.

**NOTA:** è vietato installare altri apparecchi a combustione nello stesso sgabuzzino in cui è installata l'asciugatrice.

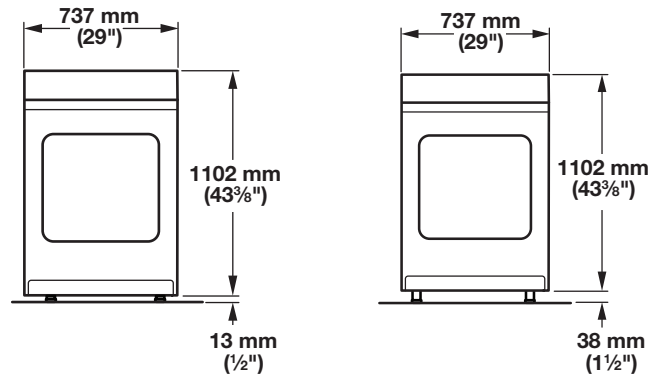
#### Spazio di installazione:

L'ubicazione deve essere sufficientemente ampia per consentire di aprire completamente lo sportello dell'asciugatrice.

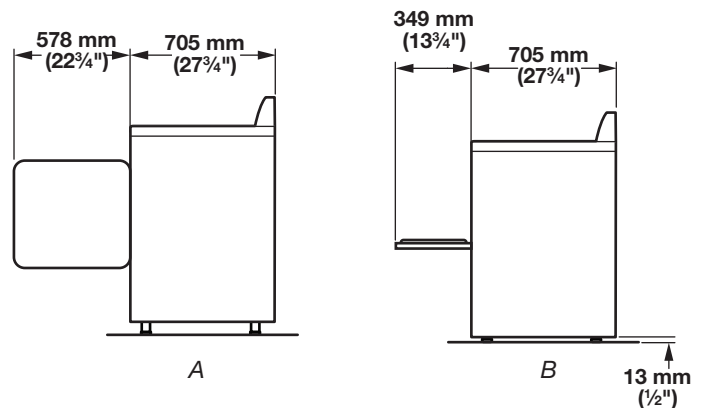
Non installare l'apparecchio dietro una porta chiudibile, una porta scorrevole o una porta incernierata sul lato opposto a quello dell'asciugatrice che possa impedire l'apertura completa dello sportello dell'apparecchio.

Nella maggior parte delle installazioni è necessario uno spazio minimo di 140 mm (5½") dietro l'asciugatrice per lo sfiato dello scarico con un gomito. Vedere "Requisiti di sfiato".

#### Dimensioni dell'asciugatrice

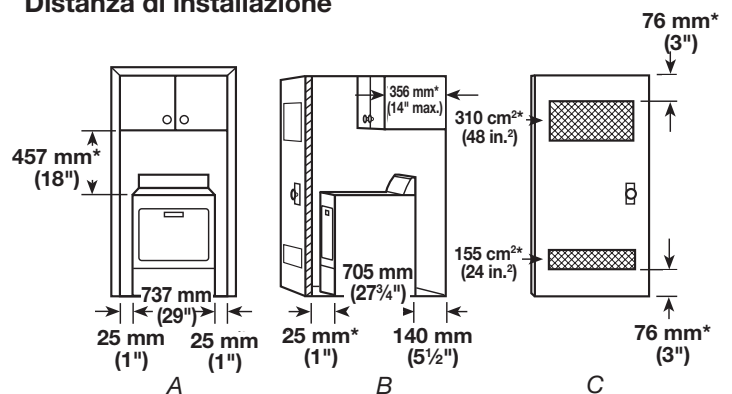


**NOTA:** i piedini di messa in piano devono essere di 13 mm (1/2") (per corrispondere all'altezza di un'asciugatrice di capacità di 0,102 m<sup>3</sup> [3.6 cu. ft.]) o di 38 mm (1½") (per corrispondere all'altezza di un'asciugatrice di capacità di 0,108 m<sup>3</sup> [3.8 cu. ft.]).



A. Porta a battente ad apertura laterale  
B. Porta a battente ad apertura verticale

#### Distanza di installazione



A. Vano a incasso  
B. Vista laterale - sgabuzzino o area chiusa  
C. Porta sgabuzzino con areazione

\*Distanze richieste

## Distanze di installazione per vani incassati o sgabuzzini

Le dimensioni illustrate si riferiscono alle distanze minime richieste.

- Calcolare spazio aggiuntivo per agevolare le operazioni di installazione e manutenzione.
- Potrebbero essere necessarie distanze maggiori per pareti, porte e battiscopa.
- Si consiglia di aggiungere un spazio di 25 mm (1") su tutti i lati dell'asciugatrice per ridurre la diffusione del rumore.
- Per l'installazione in sgabuzzini chiusi da una porta, è necessario predisporre adeguate aperture di aerazione nella parte superiore e inferiore della porta. Porte a persiana con aperture di aerazione equivalenti sono accettabili.
- Calcolare anche le distanze necessarie per un apparecchio analogo.

## Unità abitative mobili – Requisiti aggiuntivi di installazione

L'asciugatrice è idonea per l'installazione in unità abitative mobili. L'installazione deve essere conforme alle normative e ordinanze locali vigenti.

- Ferramenta per sistema di sfiato in metallo, disponibile in commercio.
- Nelle unità abitative mobili è necessario predisporre un sistema adeguato per l'introduzione dell'aria esterna nell'asciugatrice. L'apertura (ad esempio vicino a una finestra) deve essere almeno il doppio dell'apertura di scarico dell'asciugatrice.

## ALLACCIAMENTO DELL'ASCIUGATRICE ELETTRICA ALL'ALIMENTAZIONE

### Requisiti elettrici



L'asciugatrice è fornita senza cavo di alimentazione e spina. Un elettricista competente deve eseguire il collegamento a una rete di alimentazione elettrica monofase alla tensione indicata sulla targhetta dati, utilizzando un impianto di cablaggio fisso idoneo conforme alle normative locali e nazionali vigenti per i cablaggi.


- Utilizzare un cavo rotondo a 3 conduttori con sezione minima del conduttore di 4 mm<sup>2</sup>.
- Utilizzare un fusibile per l'alimentazione da 30A e un interruttore con separazione del contatto per entrambi i poli, che fornisca la disconnessione totale in condizioni di sovratensione di categoria III, incorporato nel cablaggio fisso in conformità con la normativa locale sui per i cablaggi. L'asciugatrice deve essere posizionata in modo che l'interruttore di disconnessione sia chiaramente visibile e accessibile all'utente. Tale interruttore di disconnessione deve inoltre assolvere alla funzione di comando di arresto di emergenza per l'utente.

- L'asciugatrice è dotata di una boccia di fissaggio del cavo che deve essere serrata al completamento del cablaggio. I morsetti di alimentazione elettrica di rete si trovano dietro il pannello di accesso piccolo (coperchio morsettiera), i collegamenti devono essere eseguiti rispettando la marcatura dei morsetti. Non dimenticare di riposizionare il pannello di accesso ai morsetti (coperchio morsettiera).

**NOTA:** conformemente alla Direttiva Europea sulle EMC (2004/108/EC), l'impedenza massima dichiarata dell'impianto di alimentazione a cui deve essere collegata l'asciugatrice elettrica è 0,054 Ohm + j0,034 Ohm.

**NOTA:** Norme di sicurezza elettrica: il produttore ha scelto la conformità alla Norma IEC/EN.60335 quale la più appropriata per questo prodotto.

**AVVERTENZA**



**Rischio di folgorazione**

**Questo apparecchio a tre conduttori deve essere collegato a terra.**

**Non collegare a terra a una tubazione del gas.**

**La mancata osservanza di queste istruzioni può essere causa di decesso, incendio o lesioni gravi.**

Se la normativa lo consente e si utilizza un cavo per messa a terra aggiuntiva, è necessario rivolgersi a un elettricista qualificato per determinare se il percorso della messa a terra aggiuntiva è a norma.

### Metodo di messa a terra raccomandato

È responsabilità dell'utente rivolgersi a un elettricista impiantista qualificato per assicurare che l'installazione elettrica sia idonea e a norma.



## INSTALLAZIONE DEI PIEDINI DI MESSA IN PIANO

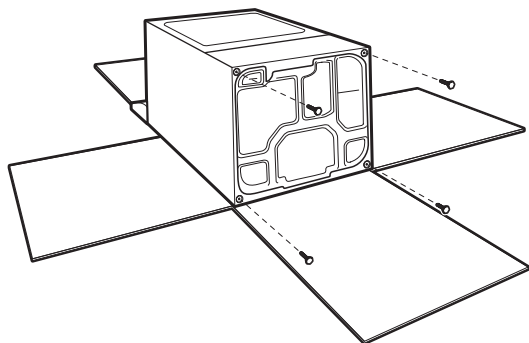
### **⚠ AVVERTENZA**

#### **Pericolo di peso eccessivo**

È necessario l'intervento di due o più persone per installare l'asciugatrice.

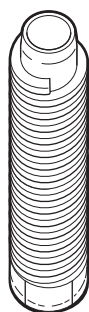
La mancata osservanza di tale procedura potrebbe causare danni alla schiena o altre lesioni fisiche.

### **1. Preparare l'asciugatrice per i piedini di messa in piano**



Per evitare di danneggiare il pavimento, utilizzare un grande cartone piatto preso dall'imballo dell'asciugatrice e collocarlo sotto tutto il lato posteriore dell'asciugatrice. Afferrare saldamente il corpo dell'asciugatrice (non il quadro comandi) e abbassare delicatamente l'asciugatrice fino a poggiarla sul cartone.

### **2. Avvitare i piedini di messa in piano**

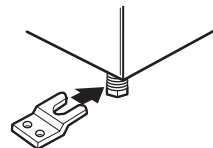


Usare una chiave e il metro a nastro per avvitare i piedini nei fori corrispondenti fino a quando il fondo del piedino di trova a circa 13 mm (1/2") (per corrispondere all'altezza di un'asciugatrice di capacità di 0,102 m<sup>3</sup> [3,6 cu. ft.]) o di 38 mm (1 1/2") (per corrispondere all'altezza di un'asciugatrice di capacità di 0,108 m<sup>3</sup> [3,8 cu. ft.]).

Sollevarla ora l'asciugatrice sui piedini. Far scivolare l'asciugatrice fino a quando è vicina alla posizione definitiva. Lasciare spazio sufficiente per i collegamenti elettrici e per collegare lo sfiato dello scarico.

### **Per l'uso in unità abitative mobili**

Le asciugatrici a gas devono essere fissate saldamente al pavimento.



Per le installazioni in unità abitative mobili si deve utilizzare il kit di fissaggio a terra per installazione in unità abitativa mobile. Per informazioni su come ordinare il kit, far riferimento alla Guida all'uso e alla manutenzione.

## ALLACCIAMENTO DELL'ASCIUGATRICE A GAS ALL'ALIMENTAZIONE

### **Requisiti per l'alimentazione del gas**

### **⚠ AVVERTENZA**



#### **Pericolo d'Esplosione**

**Utilizzare una linea di alimentazione gas nuova e a norma di legge.**

**Installare una valvola di chiusura.**

**Per collegare l'asciugatrice all'alimentazione GPL (metano o butano) personale qualificato deve accertarsi che la pressione del gas non superi di 13 mmm la colonna d'acqua.**

**Per personale qualificato si intende:**

**personale altamente specializzato, tecnici della compagnia del gas e personale adeguatamente competente.**

**La non ottemperanza a queste istruzioni potrebbe provocare la morte, un'esplosione o un incendio.**

### **Tipo di gas**

#### **Gas naturale:**

L'asciugatrice è predisposta per l'uso con gas naturale. La progettazione è certificata dalla CSA International per GPL (propano o butano) con un intervento di conversione appropriato.

- L'asciugatrice deve essere dotata del bruciatore corretto per il tipo di gas dell'utenza domestica. Le informazioni relative al bruciatore si trovano sulla targhetta dati sul pozzetto dello sportello dell'asciugatrice.

#### **Conversione a GPL:**

**La conversione deve essere effettuata da un tecnico qualificato.**

Non tentare di eseguire la conversione dell'asciugatrice dal gas specificato sulla targhetta del modello/numero di serie per utilizzarla con un gas diverso senza consultare l'ente fornitore del gas.

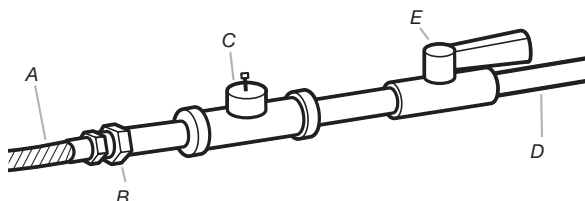
**IMPORTANTE:** l'installazione a gas deve essere conforme alle normative locali vigenti.



## Conduzione di alimentazione del gas

- Si raccomanda un tubo da 13 mm (1/2") NPT.
- È accettabile l'uso di tubi approvati da 9,5 mm (3/8") per lunghezze inferiori a 6,1 m (20 ft.) se consentito dalla normativa locale e dall'ente di fornitura del gas.
- Deve includere una valvola di presa pressione di almeno 3,2 mm (1/8") NPT, immediatamente a monte dell'attacco del gas all'asciugatrice (vedere la figura).
- Deve includere una valvola di intercettazione.

La valvola di intercettazione deve essere facilmente raggiungibile per essere aperta e chiusa.



- A. Connettore gas flessibile da 9,5 mm (3/8")
- B. Raccordo adattatore alla flangia del tubo da 9,5 mm (3/8")
- C. Presa di pressione da 3,2 mm (1/8") NPT minimo
- D. Conduzione di alimentazione del gas da 13 mm (1/2") NPT
- E. Valvola di intercettazione del gas

## Requisiti di collegamento all'alimentazione del gas

L'asciugatrice può essere collegata all'alimentazione a gas in vari modi. Di seguito sono fornite le linee guida per due diversi metodi di collegamento.

L'asciugatrice deve essere collegata alla conduzione di alimentazione del gas tramite un connettore flessibile per gas conforme alla normativa sui connettori per gli elettrodomestici a gas, CSA 6.10.

### Opzione 1 (Metodo raccomandato)

Connettore gas flessibile in acciaio inox:

- Se consentito dalle normative locali utilizzare un connettore flessibile per gas nuovo in acciaio inox (progettazione certificata da CSA International) per collegare l'asciugatrice alla conduzione rigida di alimentazione del gas. Utilizzare un gomito e una flangia da 9,5 mm (3/8") con raccordo adattatore da 9,5 mm (3/8") NPT tra l'attacco del tubo del gas in acciaio e il tubo del gas dell'asciugatrice, se necessario, per non formare pieghe.

### Opzione 2 (Metodo alternativo)

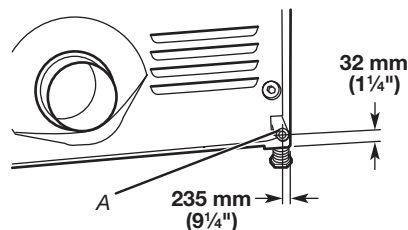
Tubazione a norma in alluminio o rame:

- Per lunghezze superiori a 6,1 m (20 ft.) si può usare tubazione a norma da 9,5 mm (3/8") (se consentito dalla normativa e dall'ente fornitore del gas).
- Se si utilizza gas naturale non usare tubazioni in rame.
- Flangia da 9,5 mm (3/8") con raccordo adattatore da 9,5 mm (3/8") NPT tra il tubo dell'asciugatrice e la tubazione approvata da 9,5 mm (3/8").
- Per lunghezze oltre 6,1 m (20 ft.) usare tubi più grandi e un raccordo adattatore di dimensione diversa.
- Se l'asciugatrice è stata convertita a GPL, si possono utilizzare tubazioni in rame da 9,5 mm (3/8") compatibili con GPL. Se la lunghezza totale della conduzione di alimentazione del gas è superiore a 6,1 m (20 ft.), usare tubi più grandi.

**NOTA:** utilizzare composti per giunzioni di tubi che siano resistenti all'azione del GPL. Non usare nastro di TEFLON<sup>†</sup>.

## Tubo del gas dell'asciugatrice

- Il tubo del gas che fuoriesce attraverso il lato posteriore dell'asciugatrice ha un filetto maschio di 9,5 mm (3/8").



A. tubo asciugatrice da 9,5 mm (3/8") NPT

## Requisiti per l'ingresso bruciatore

### Altitudini fino a 3.048 m (10.000 ft.):

- Questo modello di asciugatrice è certificato dalla CSA International per l'utilizzo ad altitudini fino a 3.048 m (10.000 ft.) sopra il livello del mare al valore di BTU indicato sulla targhetta del modello/numero di serie. Non sono richieste regolazioni dell'ingresso del bruciatore quando l'asciugatrice viene messa in funzione fino a questa altitudine.

### Altitudini superiori a 3.048 m (10.000 ft.):

- Se installata oltre 3.048 m (10.000 ft.), è necessaria una riduzione del 4% rispetto al di BTU indicato sulla targhetta del modello/numero di serie per ogni incremento di 305 m (1.000 ft.) dell'altitudine.

### Test di pressione del gas di alimentazione

- L'asciugatrice deve essere scollegata dalla tubazione di alimentazione dell'impianto del gas durante il test di pressione a pressioni maggiori di 352 kg/m<sup>2</sup> (1/2 psi).

<sup>†</sup>TEFLON è un marchio registrato di Chemours.

## Requisiti elettrici

### **AVVERTENZA**



#### Pericolo di scossa elettrica

**Collegare a una presa con messa a terra.**

**Evitare l'utilizzo di adattatori.**

**Evitare l'utilizzo di prolunghe.**

**La mancata osservanza di queste istruzioni può causare morte, incendi o scosse elettriche.**

- Alimentazione elettrica a 120 Volt, 60 Hz., solo AC, con fusibile da 15A o 20A. Si raccomanda di usare un fusibile ritardato o un interruttore di circuito. Si raccomanda inoltre di utilizzare un circuito separato che serva solo l'asciugatrice.

### **ISTRUZIONI PER LA MESSA A TERRA**

■ Asciugatrice collegata a un cavo con messa a terra  
L'asciugatrice deve essere collegata a terra. In caso di malfunzionamento o guasto, la messa a terra riduce il rischio di scossa elettrica offrendo un percorso di minore resistenza per la corrente elettrica. Questa asciugatrice è dotata di cavo con conduttore di terra e spina di messa terra. La spina deve essere inserita in una presa idonea che sia stata correttamente installata e collegare a terra, nel rispetto di tutte le normative e ordinanze locali.

**AVVERTENZA:** il collegamento errato del conduttore di messa a terra dell'apparecchiatura può causare il rischio di folgorazione. Se non si è certi che l'asciugatrice sia collegata correttamente a terra, verificare rivolgendosi a un elettricista qualificato o un rappresentante dell'assistenza. Non modificare la spina fornita con l'asciugatrice: se non si adatta alla presa, rivolgersi a un elettricista qualificato per l'installazione di una presa idonea.

### **CONSERVARE QUESTE ISTRUZIONI**

## SISTEMA DI SFIATO

### Requisiti di sfiato

### **AVVERTENZA**



#### Rischio di incendio

**Utilizzare uno scarico in metallo rigido.**

**Non utilizzare uno scarico in plastica.**

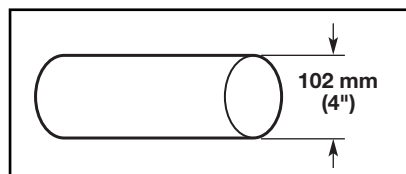
**Non utilizzare uno scarico in lamina metallica.**

**La mancata osservanza di queste istruzioni può causare morte o incendi.**

**AVVERTENZA:** per ridurre il rischio di incendio LO SCARICO DELL'ASCIUGATRICE DEVE ESSERE CONVOGLIATO ALL'ESTERNO.

**IMPORTANTE:** attenersi a tutte le normative locali vigenti in materia.

Lo scarico dell'asciugatrice non deve essere collegato a sistemi di sfiato del gas, del camino, parete, soffitto, sottotetto, intercapedini o uno spazio nascosto di un edificio. Utilizzare solo sfiati in metallo rigido o flessibile per lo scarico.



*Tubazione di sfiato da 102 mm (4")  
in metallo pesante*

- Utilizzare esclusivamente tubazioni di sfiato in metallo pesante e fascette da 102 mm (4").
- Non utilizzare tubazioni di sfiato in plastica o lamina di metallo.

#### **Tubazione di sfiato in metallo rigido:**

- raccomandata per prestazioni di asciugatura ottimali e per evitare schiacciamenti e non formare pieghe.

**Tubazione di sfiato in metallo flessibile:** (accettabile solo se è possibile accedervi per la pulizia)

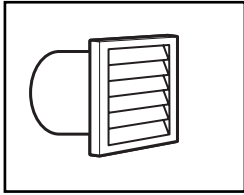
- Deve essere allungata completamente e sostenuta nella posizione definitiva dell'asciugatrice.
- Rimuovere l'eccesso per evitare insaccamenti e pieghe che potrebbero ridurre il flusso dell'aria e ridurre le prestazioni di asciugatura.
- Non installare su pareti delimitate, soffitti o pavimenti.
- La lunghezza totale non deve superare 2,4 m (7<sup>3</sup>/<sub>4</sub> ft.).

**NOTA:** se si utilizza un sistema di sfiato esistente, togliere i pelucchi da tutta la lunghezza del sistema e assicurarsi che la cappa dello sfiato non sia intasata dai pelucchi. Sostituire gli elementi dello sfiato in plastica o lamina di metallo con elementi di sfiato in metallo rigido o flessibile. Riesaminare la "Tabella del sistema di sfiato" e, se necessario, modificare il sistema di sfiato per raggiungere le migliori prestazioni di asciugatura.

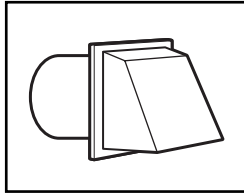
## Cappe per lo sfiato:

- Devono essere collocate ad almeno 305 mm (12") da terra o da qualsiasi oggetto che potrebbe ostruire lo scarico (ad esempio fiori, rocce, cespugli o neve).

### Tipi raccomandati:

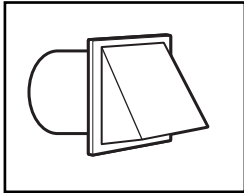


Cappa a persiana



Cappa a scatola

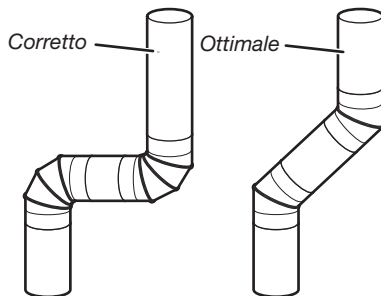
### Tipo ammesso:



Cappa angolare

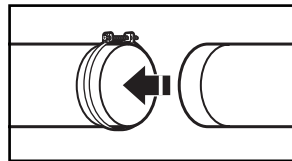
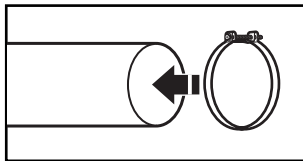
### Gomiti:

- i gomiti da 45° offrono un miglior flusso dell'aria rispetto ai gomiti a 90°.



### Fascette:

- Usare le fascette per sigillare tutte le giunzioni.
- La tubazione di sfiato non deve essere collegata o fissata mediante viti o altri elementi di fissaggio che penetrino all'interno della condotta e offrano aderenza ai pelucchi. Non usare nastro telato americano.



### Uno scarico inadeguato può generare condensa e l'accumulo di sporco all'interno che può comportare:

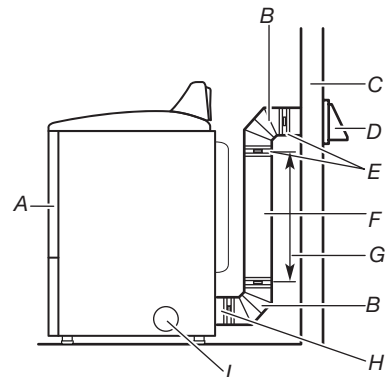
- Danni al legno, agli arredi, alla vernice, alla carta da parati, ai tappeti, ecc.
- Problemi per le pulizie domestiche e legati alla salute.

Per ulteriori informazioni vedere "Kit di sfiato".

## Pianificare il sistema di sfiato

### Installazioni raccomandate per lo sfiato

In genere l'asciugatrice viene installata in modo che lo sfiato si trovi sul retro dell'asciugatrice. Sono possibili altri tipi di installazione.



- |                        |                                                       |
|------------------------|-------------------------------------------------------|
| A. Asciugatrice        | F. Sfiato in metallo rigido o flessibile              |
| B. Gomito              | G. Lunghezza sfiato necessaria per collegare i gomiti |
| C. Parete              | H. Presa di scarico                                   |
| D. Cappa per lo sfiato | I. Presa di scarico laterale opzionale                |
| E. Fascette            |                                                       |

## ⚠ AVVERTENZA

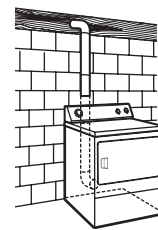


### Rischio d'incendio

Coprire i fori di scarico non utilizzati con kit di copertura dello scarico del produttore.

Contattare il rivenditore locale.

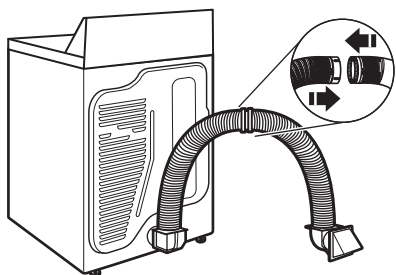
La mancata osservanza di queste istruzioni può causare morte, incendi, scosse elettriche o gravi lesioni.



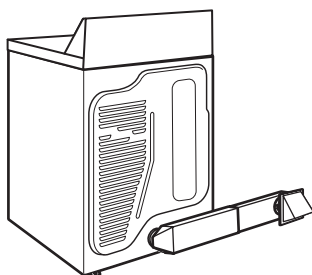
Installazione standard con sfiato posteriore decentrato

## Installazioni alternative per gli spazi stretti

I sistemi di sfiato sono disponibili in una varietà di soluzioni. Selezionare il miglior tipo per l'installazione in corso. Sono illustrate due installazioni in spazi stretti. Far riferimento alle istruzioni del produttore.



Installazione a scavalcare (disponibile anche con un gomito decentrato)



Installazione a periscopio

**NOTA:** sono disponibili per l'acquisto i seguenti kit per installazioni alternative in spazi stretti.

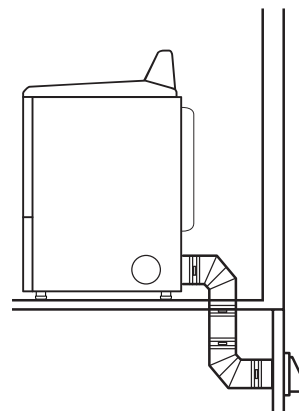
## Kit di sfiato

Per maggiori informazioni visitare il sito [www.applianceaccessories.com](http://www.applianceaccessories.com) oppure rivolgersi al concessionario presso cui è stata acquistata l'asciugatrice o a un Servizio di assistenza autorizzato.

Numero parte	Descrizioni
8171587RP	Periscopio di sfiato in metallo da 0"-5"
4396037RP	Periscopio di sfiato in metallo da 0-18"
4396011RP	Periscopio di sfiato in metallo da 18"-29"
4396014	Periscopio di sfiato in metallo da 29"-50"
4392892	Periscopio in metallo DuraVent™ per muro
4396028	Kit di sfiato Sure Connect™ (installazione a scavalcare)
4396009RP	Sfiato a connessione universale da 5', sfiato flessibile per asciugatrice
4396010RP	Sfiato SecureConnect™ da 6', sfiato flessibile per asciugatrice
4396013RB	Kit installatore sfiato asciugatrice
4396033RP	Sfiato flessibile da 5' e fascette per asciugatrice
4396727RP	Sfiato flessibile da 8' e fascette per asciugatrice
4396004	Gomito decentrato per asciugatrice
4396005	Gomito decentrato a parete
4396006RW	Gomito chiuso DuraSafe™
4396007RW	Tappo per sfiato a parete passante
4396008RP	Fascette da 4" per sfiato asciugatrice – confezione da 2
8212662	Cappa per sfiato a persiana 4" con montaggio a filo

## Provvedimenti speciali per l'installazione in unità abitative mobili:

Lo sfiato dello scarico deve essere fissato saldamente a una parte non combustibile della struttura dell'unità abitativa mobile e non deve terminare sotto la stessa. Lo sfiato dello scarico deve terminare all'esterno.



### Decidere il percorso dello sfiato:

- Selezionare la traiettoria che offre il percorso più diretto e più diretto verso l'esterno.
- Pianificare l'installazione in modo da utilizzare il minor numero possibile di gomiti e curve.
- Quando si utilizzano gomiti o si compiono curve, consentire il massimo spazio possibile.
- Piegare gradualmente lo sfiato per evitare di formare pieghe.
- Usare il minor numero possibile di curve a 90°.

### Determinare la lunghezza dello sfiato e i gomiti necessari per le migliori prestazioni di asciugatura:

- Consultare la "Tabella del sistema di sfiato" per determinare le combinazioni di tipo di materiale per lo sfiato e cappe accettabili per l'uso.

**NOTA:** non usare percorsi di sfiato più lunghi di quelli specificati nella "Tabella del sistema di sfiato". I sistemi di scarico più lunghi di quelli specificati:

- Riducono la vita utile dell'asciugatrice.
- Riducono le prestazioni causando tempi di asciugatura più lunghi e maggior consumo di energia.

La "Tabella del sistema di sfiato" illustra i requisiti di sfiato che aiutano a fornire le migliori prestazioni di asciugatura.

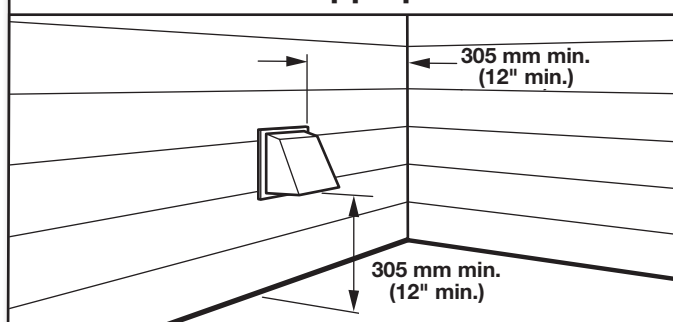
Tabella del sistema di sfiato			
Numero di curve o gomiti a 90°	Tipo di sfiato	Cappe a scatola/a persiana	Cappe angolari
0	Metallo rigido	20 m (64 ft.)	17,7 m (58 ft.)
1	Metallo rigido	16,5 m (54 ft.)	14,6 m (48 ft.)
2	Metallo rigido	13,4 m (44 ft.)	11,6 m (38 ft.)
3	Metallo rigido	10,7 m (35 ft.)	8,8 m (29 ft.)
4	Metallo rigido	8,2 m (27 ft.)	6,4 m (21 ft.)

## Tabella del sistema di sfiato (Solo modelli con sfiato lungo)

Numero di curve o gomiti a 90°	Tipo di sfiato	Cappe a scatola/a persiana o angolari
0	Metallo rigido	36,6 m (120 ft.)
1	Metallo rigido	33,5 m (110 ft.)
2	Metallo rigido	30,5 m (100 ft.)
3	Metallo rigido	27,4 m (90 ft.)
4	Metallo rigido	24,4 m (80 ft.)
5	Metallo rigido	21,3 m (70 ft.)

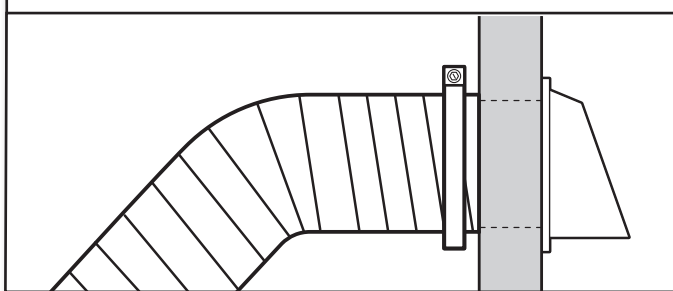
## Installare il sistema di sfiato

### 1. Installare la cappa per lo sfiato



Installare la cappa dello sfiato e utilizzare sigillante per sigillare l'apertura del muro esterno intorno alla cappa dello sfiato.

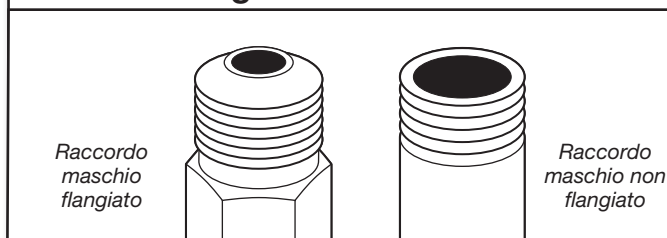
### 2. Collegare lo sfiato alla cappa di scarico



Lo sfiato deve essere infilato sopra la cappa di scarico. Fissare lo sfiato alla cappa di scarico con una fascetta da 102 mm (4"). Far arrivare lo sfiato al punto in cui si trova l'asciugatrice seguendo il percorso più diretto possibile. Evitare curve a 90°. Usare le fascette per sigillare tutte le giunzioni. Non usare nastro telato americano, viti o altri dispositivi di fissaggio che penetrano all'interno dello sfiato perché possono catturare i pelucchi.

## COLLEGAMENTO ALL'IMPIANTO A GAS

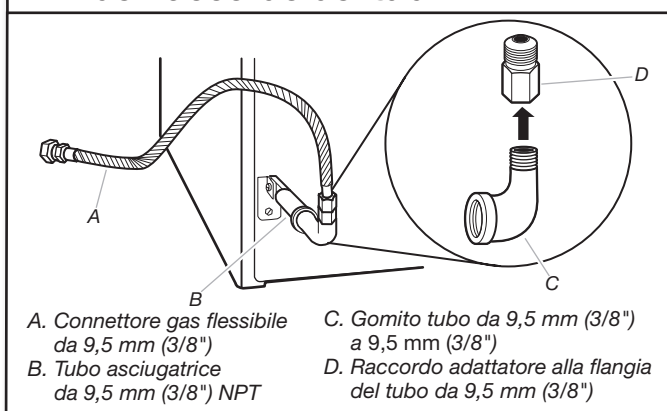
### 1. Collegare l'alimentazione del gas all'asciugatrice



Rimuovere il tappo rosso dal tubo del gas. Collegare il tubo del gas di alimentazione all'asciugatrice usando una chiave per stringere. Applicare sigillante in pasta sui filetti di tutti i raccordi maschi non flangiati. Se si usano tubi flessibili in metallo assicurarsi che non vi siano pieghe.

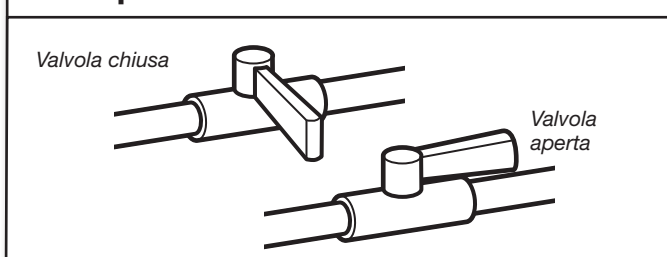
**NOTA:** per l'allacciamento a GPL si deve usare sigillante in pasta omologato per GPL. Non usare nastro di TEFLON®.

### 2. Pianificare il collegamento del raccordo dei tubi



Per collegare l'asciugatrice alla condotta di alimentazione del gas è necessario usare una combinazione di raccordi per tubi. In figura è illustrato un collegamento consigliato. Il collegamento potrebbe avere un aspetto diverso a seconda del tipo di condotta di alimentazione del gas, le sue dimensioni e dove si trova.

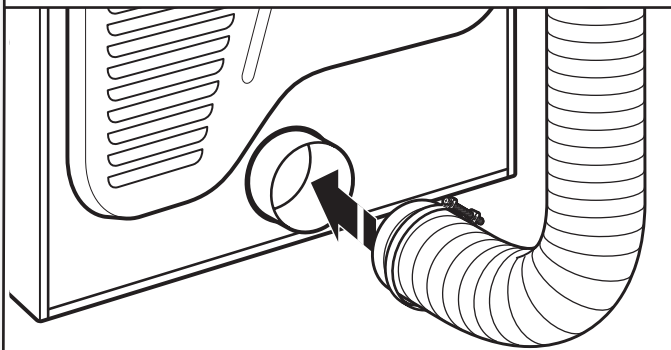
### 3. Aprire la valvola di intercettazione



Aprire la valvola di intercettazione nella condotta di alimentazione del gas; la valvola è aperta quando la maniglia è parallela al tubo del gas. Testare quindi tutte le giunzioni spennellando una soluzione per la rilevazione di perdite non corrosiva e approvata. La formazione di bolle indica la presenza di una perdita. Eliminare tutte le eventuali perdite trovate.

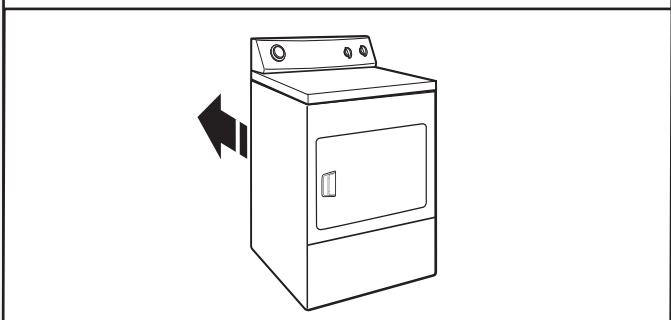
## COLLEGAMENTO ALLO SFIATO

### 1. Collegare lo sfiato alla presa di scarico



Con una fascetta da 102 mm (4"), collegare lo sfiato alla presa di scarico nell'asciugatrice. Se si esegue la connessione a uno sfiato esistente assicurarsi che lo sfiato sia pulito. Lo sfiato dell'asciugatrice deve essere infilato sopra la presa di scarico dell'asciugatrice e dentro la cappa di scarico. Controllare che lo sfiato sia fissato alla cappa di scarico con una fascetta da 102 mm (4").

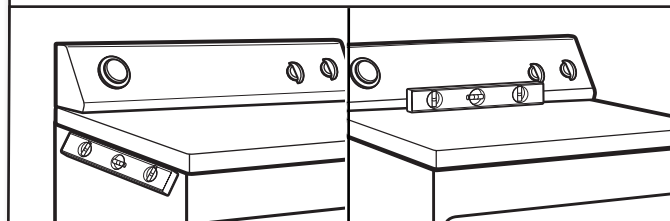
### 2. Spostare l'asciugatrice nella posizione definitiva



Spostare l'asciugatrice nella posizione definitiva. Non schiacciare o piegare il tubo di sfiato. Dopo aver posizionato l'asciugatrice, rimuovere le protezioni angolari e il cartone da sotto l'asciugatrice.

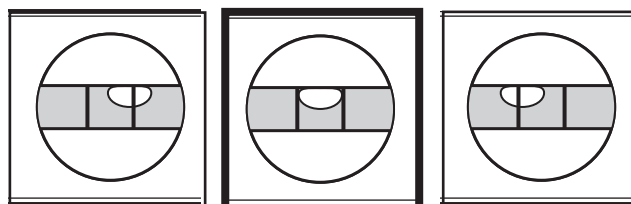
## MESSA IN PIANO DELL'ASCIUGATRICE

### 1. Messa in piano dell'asciugatrice



Controllare la messa in piano dell'asciugatrice da lato a lato. Ripetere da davanti a dietro.

**NOTA:** l'asciugatrice deve essere in piano affinché il sistema di sensori di umidità funzioni correttamente.

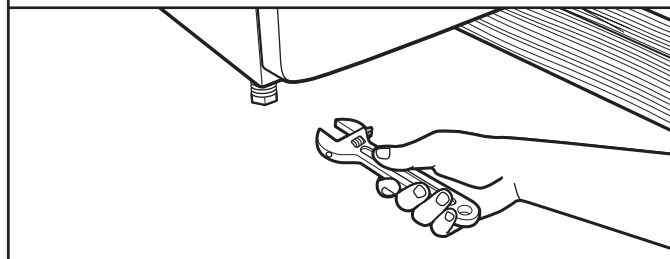


Non in piano

IN PIANO

Non in piano

### 2. Serrare e regolare i piedini di messa in piano



Se l'asciugatrice non è in piano o alla stessa altezza della lavatrice, sollevarla con un blocchetto di legno. Usare una chiave per regolare i piedini verso l'alto o verso il basso, quindi controllare di nuovo la messa in piano. Quando i piedini sono in piano, assicurarsi che poggino saldamente sul pavimento prima di stringerli.



# INSTALLAZIONE DEL CAVO DI ALIMENTAZIONE

(su alcuni modelli)

**IMPORTANTE:** questa operazione deve essere eseguita esclusivamente da personale di assistenza autorizzato da Whirlpool Corporation.

## ⚠ AVVERTENZA



### Pericolo di scossa elettrica

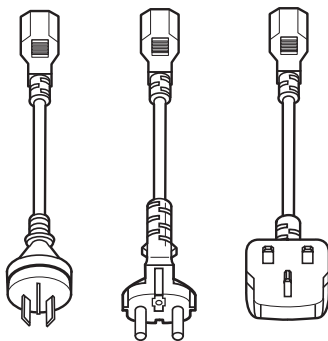
Collegare a una presa con messa a terra.

Evitare l'utilizzo di adattatori.

Evitare l'utilizzo di prolunghe.

La mancata osservanza di queste istruzioni può causare morte, incendi o scosse elettriche.

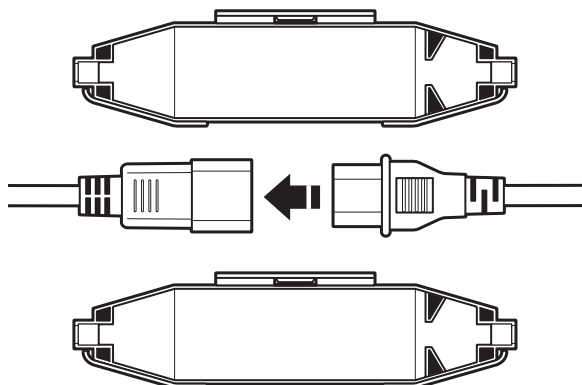
## 1. Selezionare la spina



Selezionare la spina adatta alla presa elettrica.

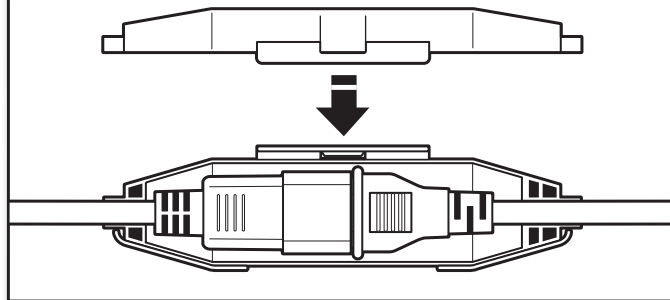
**NOTA:** il tipo e il numero di spine variano in base al modello.

## 2. Montare la spina



Montare la spina inserendola sull'estremità del cavo di alimentazione che si trova sul lato posteriore dell'asciugatrice.

## 3. Fissare il cavo di alimentazione



Fissare il cavo di alimentazione poggiando la connessione sul fissa cavo. Collocare il coperchio del fissa cavo e spingere finché scatta in sede. Assicurarsi che la connessione del cavo sia posizionata correttamente sul fissacavo e che il fissacavo si chiuda correttamente.

Collegare il cavo di alimentazione a una presa con messa a terra. Accendere l'alimentazione elettrica.

## COMPILAZIONE DELLA CHECKLIST DI INSTALLAZIONE

- Controllare che tutti gli elementi ora siano installati. Se avanza un elemento, ripercorrere la procedura eseguita per capire che cosa è stato saltato.
- Controllare di avere tutti gli attrezzi.
- Smaltire/riciclare tutti i materiali di imballo.
- Controllare la posizione definitiva dell'asciugatrice. Assicurarsi che il tubo di sfianto non sia schiacciato o piegato.
- Controllare che l'asciugatrice sia in piano. Vedere "Messa a livello dell'asciugatrice".
- Rimuovere la pellicola dal quadro comandi ed eventuale nastro adesivo rimasto sull'asciugatrice.
- Pulire accuratamente l'interno del tamburo dell'asciugatrice con un panno umido per rimuovere la polvere.
- Leggere "Uso dell'asciugatrice" nella Guida all'uso e alla manutenzione.
- Impostare un ciclo completo al calore massimo dell'asciugatrice (non un ciclo di aria) per 20 minuti e avviare l'asciugatrice.

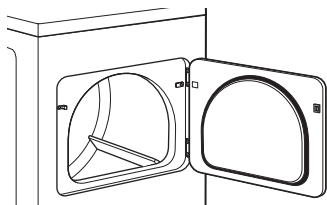
### Se l'asciugatrice non si avvia, controllare quanto segue:

- L'asciugatrice è collegata a una presa con messa a terra a tre poli.
- L'alimentazione elettrica è collegata.
- Il fusibile domestico è integro e ben saldo, oppure il salvavita non è scattato.
- Lo sportello dell'asciugatrice è chiuso.
- Dopo 5 minuti di funzionamento dell'asciugatrice, aprire lo sportello e sentire se c'è calore. Se si sente calore, annullare il ciclo e chiudere lo sportello.  
Se non si sente calore, spegnere l'asciugatrice e verificare che la valvola di intercettazione della condotta di alimentazione del gas sia aperta.
  - Se la valvola di intercettazione nella condotta di alimentazione del gas è chiusa, aprirla, quindi ripetere il test di 5 minuti come descritto sopra.
  - Se la valvola di intercettazione nella condotta di alimentazione del gas è aperta, rivolgersi a un tecnico qualificato.

**NOTA:** quando si scalda l'asciugatrice per la prima volta si può avvertire un odore caratteristico. È normale quando si utilizza l'elemento riscaldante per la prima volta. L'odore scompare con l'uso.

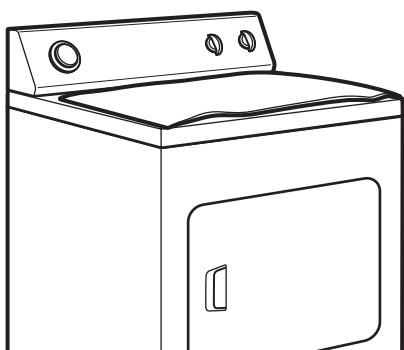


## INVERSIONE DELL'APERTURA DELLO SPORTELLLO (OPZIONALE)



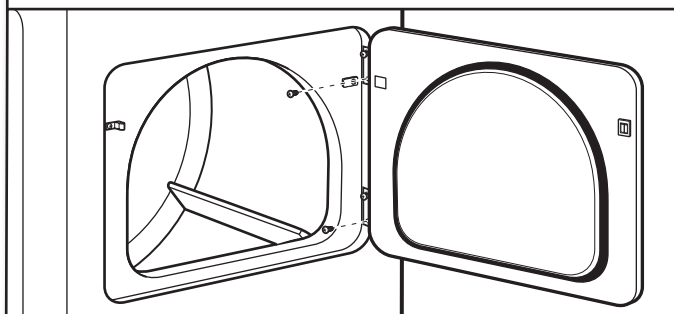
**NOTA:** è consigliabile usare un cacciavite magnetico.

### 1. Collocare un asciugamano sull'asciugatrice



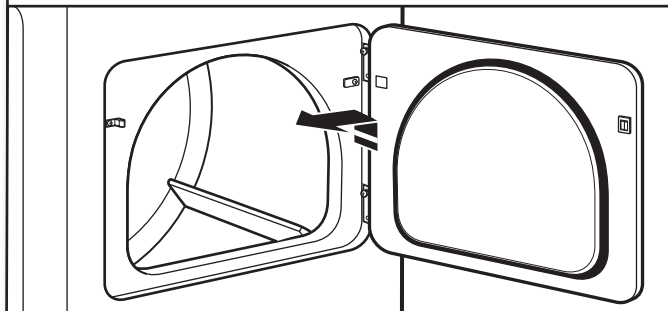
Collocare un asciugamano sul piano dell'asciugatrice per evitare di danneggiare la superficie.

### 2. Rimuovere le viti inferiori



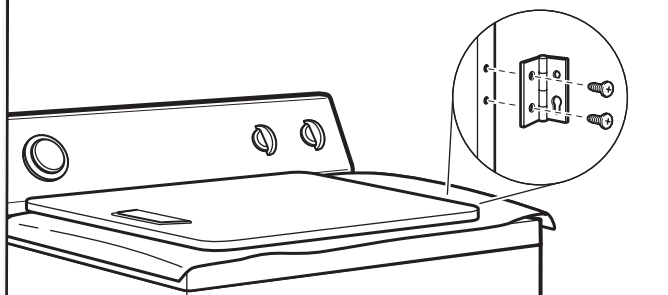
Aprire lo sportello dell'asciugatrice. Rimuovere le viti inferiori delle cerniere dal telaio dell'asciugatrice. Allentare (non rimuovere) le viti superiori inferiori delle cerniere dal telaio dell'asciugatrice.

### 3. Sollevare lo sportello dalle viti superiori



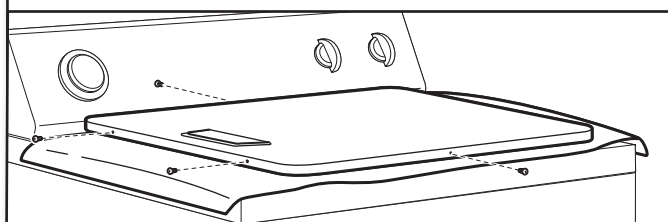
Sollevare lo sportello fino a quando le viti del telaio dell'asciugatrice sono nel foro largo dell'asola della cerniera. Tirare lo sportello in avanti per sganciarlo dalle viti. Poggiare lo sportello (con il lato della maniglia verso l'alto) sul piano dell'asciugatrice. Rimuovere le viti superiori dal telaio dell'asciugatrice.

### 4. Rimuovere le viti dalle cerniere



Rimuovere le viti che fissano le cerniere allo sportello.

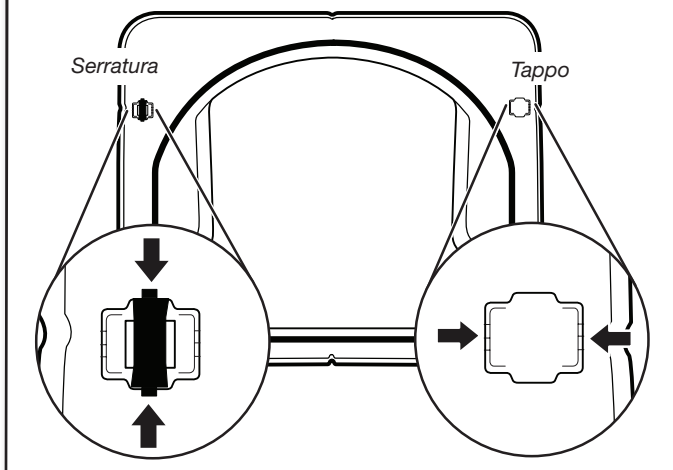
### 5. Rimuovere le viti dallo sportello



Rimuovere le viti nella parte superiore, inferiore e laterale dello sportello (4 viti) che tengono insieme lo sportello esterno e lo sportello interno. Con lo sportello su un asciugamano sopra l'asciugatrice, afferrare i lati dello sportello esterno e sollevarli per separarlo dallo sportello interno. Mettere da parte lo sportello esterno.

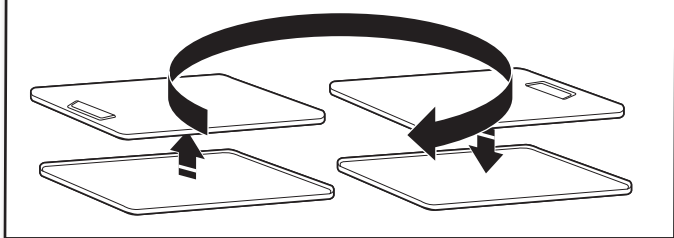
**NOTA:** non separare le parti con un cutter o un cacciavite. Non tirare la guarnizione sullo sportello o i fermi di plastica dello sportello.

## 6. Invertire la serratura e il tappo



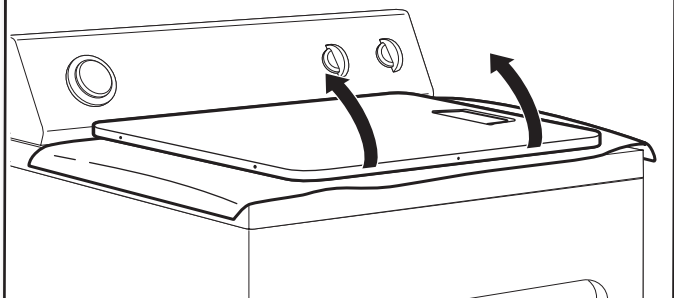
Rimuovere la serratura e il tappo dal lato interno dello sportello interno schiacciando e premendo/tirando. Posizionare la serratura e il tappo sui lati opposti corrispondenti.

## 7. Ruotare lo sportello esterno



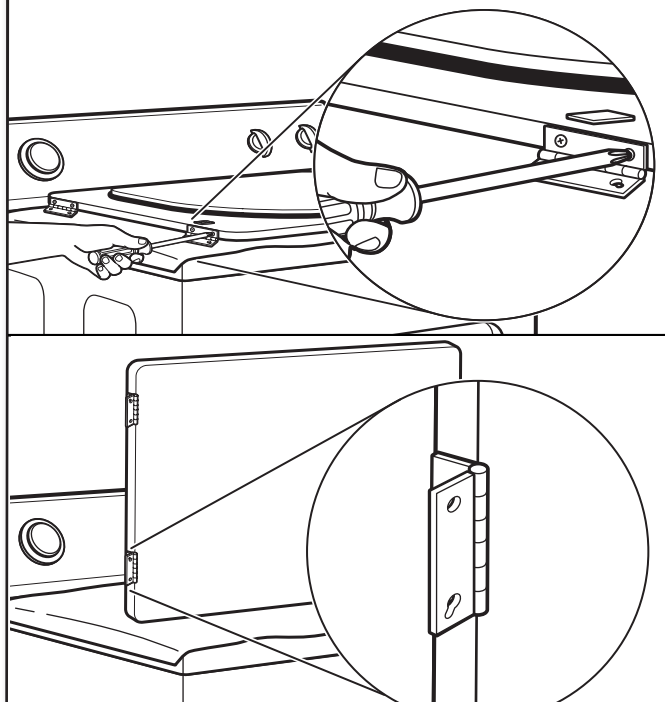
Ruotare lo sportello di 180° e poggiarlo sullo sportello interno. Ricollegare il pannello dello sportello esterno al pannello dello sportello interno in modo che la maniglia si trovi nel punto in cui sono state tolte le cerniere. Inserire le 4 viti dello sportello.

## 8. Capovolgere lo sportello



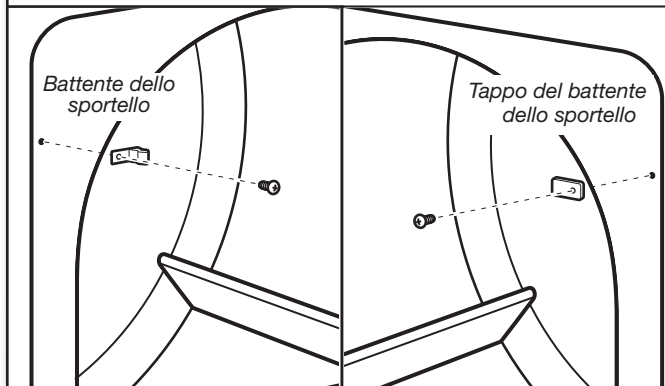
Capovolgere lo sportello in modo che il lato della maniglia sia in basso.

## 9. Applicare le cerniere dello sportello



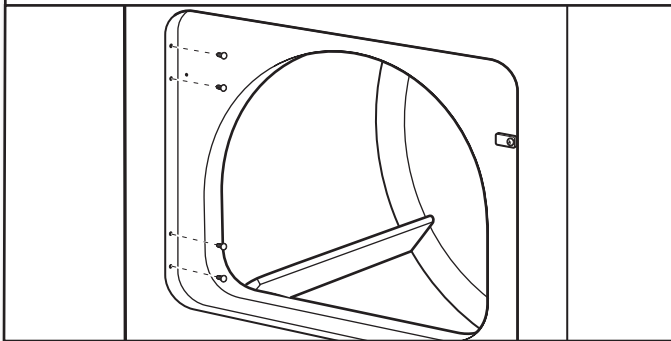
Riapplicare le cerniere dello sportello allo sportello dell'asciugatrice in modo che il foro più grande si trovi in fondo alla cerniera.

## 10. Rimuovere il battente dello sportello e il tappo del battente dello sportello



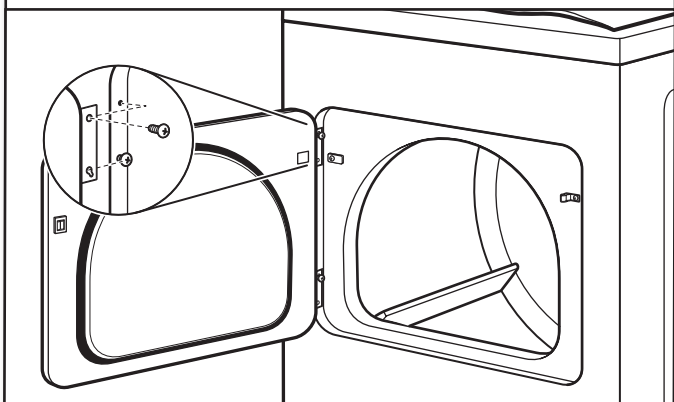
Rimuovere il battente dello sportello e il tappo del battente dello sportello dal telaio dell'asciugatrice. Inserire il battente dello sportello nel foro del battente dello sportello e fissarlo con la vite. Inserire il tappo del battente dello sportello nel foro originario del battente dello sportello e fissarlo con la vite.

## 11. Rimuovere e spostare i tappi del foro delle cerniere



Usare un piccolo cacciavite a testa piatta per rimuovere delicatamente i 4 tappi dei fori delle cerniere sul lato sinistro del telaio dell'asciugatrice. Spostare i tappi sui fori delle cerniere sul lato opposto del telaio dell'asciugatrice.

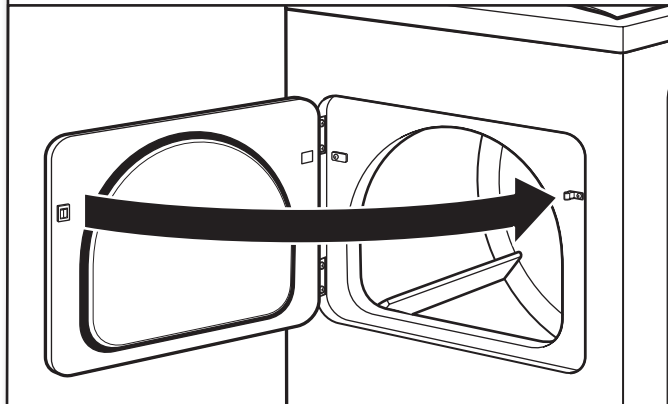
## 12. Inserire le viti nei fori delle cerniere sul telaio dell'asciugatrice



**NOTA:** per rimontare lo sportello potrebbero essere necessarie due persone.

Inserire le viti nei fori inferiori sul lato sinistro del telaio dell'asciugatrice. Serrare le viti fino a metà. Posizionare lo sportello in modo che l'estremità grande dell'asola della cerniera dello sportello si trovi sopra le viti. Far scorrere lo sportello verso l'alto in modo che le viti si trovino in fondo alle asole. Serrare le viti. Inserire e serrare le viti superiori nelle cerniere.

## 13. Controllare l'allineamento del battente dello sportello



Chiudere lo sportello e controllare che il battente della porta sia allineato con la serratura. Se necessario far scorrere la serratura a sinistra o a destra all'interno della fessura per regolare l'allineamento.

## RISOLUZIONE DEI PROBLEMI

Per evitare se possibile il costo della chiamata all'assistenza, vedere la Guida all'uso e alla manutenzione oppure visitare il sito web e far riferimento alle "Domande frequenti".

# SICHERHEIT DES TROCKNERS

## Ihre Sicherheit und die Sicherheit anderer sind von größter Bedeutung.

Daher wurden diese Anleitung und das Gerät mit wichtigen Sicherheitshinweisen versehen. Bitte lesen und beachten Sie diese Sicherheitshinweise.



Dies ist das Warnzeichen.

Es weist Sie auf mögliche Gefahren hin, durch die Sie oder andere verletzt oder getötet werden könnten.

Alle Sicherheitshinweise sind durch das Warnzeichen markiert und entweder mit dem Wort „GEFAHR“ oder „ACHTUNG“ gekennzeichnet.

Diese Begriffe bedeuten:

**! GEFAHR**

Sie könnten getötet oder ernsthaft verletzt werden, wenn Sie diese Anweisungen nicht sofort befolgen.

**! ACHTUNG**

Sie könnten getötet oder ernsthaft verletzt werden, wenn Sie diese Anweisungen nicht befolgen.

Alle Sicherheitshinweise enthalten Informationen darüber, worin die Gefahr besteht, wie Sie die Verletzungsgefahr verringern können und was geschehen kann, wenn Sie den Anweisungen zuwiderhandeln.



## **ACHTUNG - Brandgefahr**

- Die Installation des Wäschetrockners muss von einem qualifizierten Installateur ausgeführt werden.
- Installieren Sie den Wäschetrockner gemäß den Anweisungen des Herstellers und den lokalen Vorschriften.
- Installieren Sie für einen Wäschetrockner keine Abluftleitungen aus flexiblem Kunststoff oder flexibler Metallfolie. Wird ein flexibler Metallkanal installiert, muss es sich um einen speziellen Kanaltyp handeln, der vom Hersteller des Geräts als für die Verwendung mit Wäschetrocknern geeignet ausgewiesen wird. Flexible Abluftkanäle sind bekannt dafür, dass sie zusammenfallen, leicht zerdrückt werden und sich Flusen darin ansammeln. Dadurch kann die Abluft des Wäschetrockners nicht ungehindert abgeführt werden, so dass sich die Brandgefahr erhöht.
- Um die Gefahr schwerer oder tödlicher Verletzungen zu verringern, befolgen Sie alle Installationsanweisungen.
- Bewahren Sie diese Anleitung auf.



## **ACHTUNG - BRANDGEFAHR/BRENNBARE MATERIALIEN**

Dieses zusätzliche Warnsymbol weist auf Brandgefahr hin.

## **ACHTUNG**

### **Brandgefahr**

**Bitte halten Sie die Warnhinweise unbedingt ein. Andernfalls besteht die Gefahr schwerer oder tödlicher Verletzungen oder von Sachschäden.**

**Installieren Sie kein Zusatzgebläse für den Abluftkanal.**


**Installieren Sie Wäschetrockner immer gemäß den Installationsanweisungen des Trocknerherstellers.**

## **FÜR IHRE SICHERHEIT**

1. LAGERN UND VERWENDEN SIE KEIN BENZIN, GAS ODER ANDERE ENTFLAMMBARE STOFFE IN DER NÄHE DIESES GERÄTS ODER ANDERER GERÄTE.
2. VERSPRÜHEN SIE KEINE SPRAYS IN DER NÄHE DIESES GERÄTS, WENN ES IN BETRIEB IST.
3. AN DIESEM GERÄT DÜRFEN KEINE MODIFIKATIONEN VORGENOMMEN WERDEN.

## **WICHTIGE SICHERHEITSHINWEISE**

**WARNUNG:** Um das Risiko von Brand, Elektroschock oder Verletzungen von Personen beim Gebrauch des Trockners zu verringern, befolgen Sie die grundlegenden Sicherheitsvorschriften einschließlich der Folgenden:

- Lesen Sie vor dem ersten Gebrauch dieses Trockners  alle Anweisungen durch.
- Zwischen der Rückseite des Trockners und allen Wänden muss ein Mindestabstand von 100 mm (4 Zoll) eingehalten werden.
- Der Betrieb dieses Geräts kann den Betrieb anderer Gerätetypen beeinträchtigen, deren Luftversorgung für eine sichere Verbrennung aus dem gleichen Raum erfolgt. Beim Betrieb des Trockners muss eine ausreichende Raumbelüftung vorhanden sein für den Austausch der verbrauchten Luft und damit für das Vermeiden eines Rückstroms der Gase zurück in den Raum durch Geräte, die andere Treibstoffe verbrennen, einschließlich offener Feuer. Bitte wenden Sie sich bei Fragen an die Gerätehersteller.
- Die Belüftungsversorgung zum Trockner darf nicht blockiert werden (Näheres zu den Mindestabständen siehe die Installationsanweisung).
- Trocknen Sie in Ihrem Trockner keine Textilien, die mit Speiseöl in Berührung gekommen sind. Textilien mit Ölflecken können sich spontan entzünden, besonders dann, wenn sie Wärmequellen ausgesetzt sind wie in einem Trockner. Die warm gewordenen Textilien verursachen im Öl eine Oxidationsreaktion. Oxidation erzeugt Hitze. Wenn die Hitze nicht entweichen kann, können die Teile so heiß werden, dass sie Feuer fangen. Werden Textilien mit Ölflecken aufgehäuft, gestapelt oder gemeinsam gelagert, kann die Hitze nicht entweichen, und es entsteht Brandgefahr.
- Wenn es unvermeidlich ist, dass im Trockner Teile getrocknet werden müssen, die mit Substanzen wie Speiseöl, Azeton, Alkohol, Benzin, Kerosin, Fleckenentferner, Terpentin, Wachs und Wachsentsferner verschmutzt oder durch Haarpflegeprodukte verunreinigt sind, dann sollten sie vor dem Trocknen im Trockner in heißem Wasser mit einer Zusatzmenge Waschmittel gewaschen werden. Diese Substanzen können Dämpfe abgeben, die sich entzünden oder explodieren können. Dieser Waschgang reduziert die Gefahr, eliminiert sie aber nicht.
- Dieses Gerät darf von Personen (einschließlich Kindern unter 8 Jahren) mit herabgesetzten physischen, sensorischen oder geistigen Fähigkeiten und Mangel an Erfahrung und Kenntnissen nur unter Aufsicht oder nach ausreichender Einweisung durch eine für ihre Sicherheit verantwortliche Person benutzt werden.
- Die Reinigung und Pflege des Geräts darf von Kindern nicht ohne Aufsicht durchgeführt werden.
- Kinder sollten sorgsam beaufsichtigt werden, so dass sie nicht mit dem Gerät spielen können.
- Kinder unter 3 Jahren dürfen das Gerät nur unter ständiger Überwachung bedienen.
- Der Trockner darf nicht benutzt werden, wenn industrielle Chemikalien für die Reinigung benutzt wurden.
- Leeren Sie vor dem Trockengang alle Taschen und nehmen Sie alle Gegenstände heraus, besonders Feuerzeuge und Streichhölzer.
- Bevor der Trockner außer Betrieb genommen oder entsorgt wird, entfernen Sie die Türen zum Trockenraum.
- Greifen Sie nicht in den Trockner, wenn sich die Trommel bewegt. Zu Ihrer Sicherheit ist ein Türschalter verbaut.
- Der Trockner darf an keinem Ort aufgestellt werden, an dem er Witterungseinflüssen ausgesetzt ist.
- Nehmen Sie keine Veränderungen an den Bedienelementen vor.
- Benutzen Sie dieses Gerät nicht weiter, wenn es defekt zu sein scheint.
- Reparieren Sie den Trockner nicht selbst und tauschen Sie keine Teile aus, wenn dies in der Bedienungsanleitung und in der Pflegeanleitung nicht ausdrücklich angegeben ist. Reparaturen und Kundendienst dürfen nur von kompetentem Servicepersonal durchgeführt werden.

- Benutzen Sie keine Weichspüler und keine Produkte, welche die Statik eliminieren, es sei denn, es wird vom Hersteller des Weichspülers oder Produkts ausdrücklich empfohlen. Befolgen Sie deren Anweisungen.
- Reinigen Sie vor bzw. nach jedem Trockengang das Fusselsieb des Trockners. Der Trockner darf nur mit eingesetztem Fusselsieb in Betrieb genommen werden.
- Der Bereich um die Aus- und Einlassöffnungen und die umgebenden Bereiche müssen stets von Fusseln-, Staub- und Schmutzansammlungen befreit sein.
- Der Innenraum des Trockners und das Abluftsystem sollten regelmäßig durch qualifiziertes Kundendienstpersonal gereinigt werden.
- Weitere Informationen zu den Erdungsanforderungen finden Sie in den "Elektrische Anforderungen".
- Trocknen Sie in diesem Trockner keine ungewaschenen Textilien.

- Der letzte Teil des Trocknungsvorgangs erfolgt ohne Hitze (Abkühlzyklus), um sicherzustellen, dass die Teile bei einer Temperatur bleiben, die eine Beschädigung ausschließt.
- Teile aus Schaumstoff (Latex), Duschhauben, wasserdichte Textilien, gummierte Artikel und Kleider oder Kopfkissen, die Schaumstoffpads enthalten, dürfen nur auf der Wäscheleine getrocknet werden.
- Wenn das Stromkabel beschädigt ist, muss es vom Hersteller oder von einer empfohlenen Kundendienststelle bzw. von ähnlich geschultem Fachpersonal ausgetauscht werden, um Gefahren zu vermeiden.

**WARNUNG:** Halten Sie einen Trocknungsvorgang nur dann verfrüht vor dem Ende an, wenn Sie dann sofort alle Teile herausnehmen und einzeln so legen/hängen, dass die Hitze entweichen kann.

**BITTE BEWAHREN SIE DIESE BEDIENUNGSANLEITUNG AUF**



Dieses Gerät ist in Übereinstimmung mit den Anforderungen der Europäischen Richtlinie 2012/19/EU zur Entsorgung von Elektro- und Elektronik-Altgeräten (WEEE) mit einer Kennzeichnung versehen.

Durch eine vorschriftsmäßige Entsorgung tragen Sie zur Vermeidung potenzieller negativer Auswirkungen auf die Umwelt und die menschliche Gesundheit bei, die bei einer unsachgemäßen Entsorgung des Produkts entstehen können.

Das Symbol auf dem Gerät bzw. in der beiliegenden Produktdokumentation weist darauf hin, dass dieses Gerät nicht wie normaler Haushaltsabfall entsorgt werden darf. Stattdessen ist es an die zuständige Sammelstelle für die Wiederverwertung elektrischer und elektronischer Geräte zu bringen.

Die Entsorgung muss gemäß den örtlichen geltenden Umweltschutzbestimmungen zur Abfallbeseitigung erfolgen.

Bitte wenden Sie sich an die zuständigen Behörden Ihrer Gemeindeverwaltung, an den lokalen Recyclinghof für Hausmüll oder an den Händler, bei dem Sie dieses Gerät erworben haben, um weitere Informationen über die Behandlung, Verwertung und Wiederverwendung dieses Produkts zu erhalten.

### WICHTIGE SICHERHEITSHINWEISE

Wenn Sie Ihren alten Trockner entsorgen oder lagern, entfernen Sie bitte die Tür.

**BITTE BEWAHREN SIE DIESE BEDIENUNGSANLEITUNG AUF**

## SPEZIFIKATIONEN

Diese Trockner werden in verschiedenen Regionen mit verschiedenen Anforderungen für die Messleistung verkauft. Nachstehend finden Sie einige der gültigen Formen für Maßeinheiten, die auf diesem Produkt angegeben sind:

**Trocknen Leinen Kapazität:** Ein Gewichtmaß, das die maximale Beladung pro Trocknungsprogramm für den Trockner angibt.

**IEC Kapazität:** Das Kapazitätsmaß, das die maximale Füllmenge trockener Leienteile und Textilien angibt, von denen der Hersteller erklärt, dass sie in einem speziellen Programm behandelt werden können.

#### Leinen trocken Kapazität

15 kg

#### IEC Kapazität

7 kg

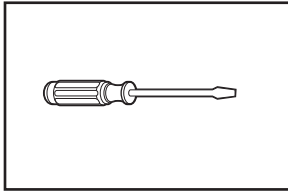


# INSTALLATIONSANFORDERUNGEN

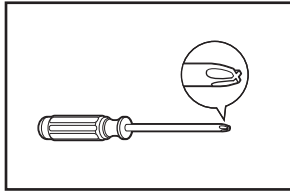
## Werkzeuge und Teile

Legen Sie vor Beginn der Installation alle erforderlichen Werkzeuge und Teile griffbereit hin.

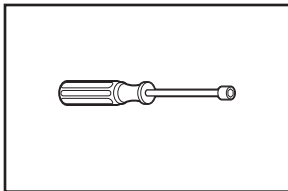
### Für alle Installation erforderliche Werkzeuge:



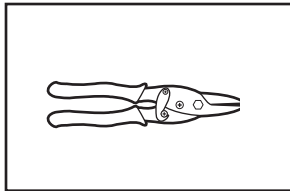
Schraubenzieher mit flacher Klinge



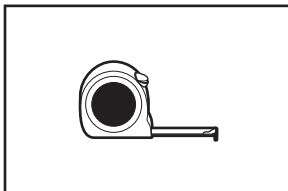
Kreuzschlitz-Schraubenzieher Nr. 2



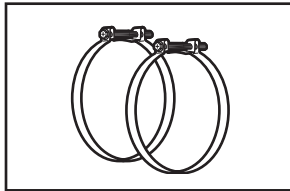
6 mm (1/4 Zoll) Mutterntreiber oder Steckschlüssel (empfohlen)



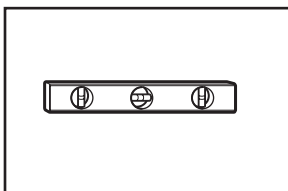
Bleischere (Installationen neuer Entlüftungssysteme)



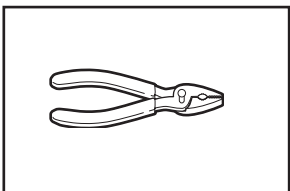
Maßband



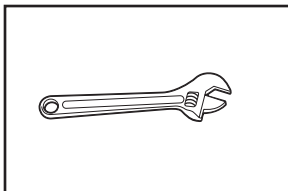
Klemmschellen für Entlüftung



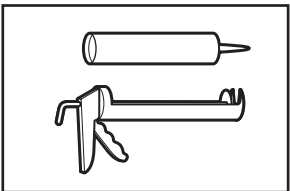
Wasserwaage



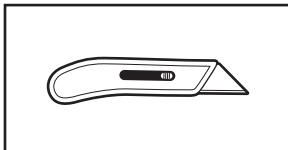
Zange



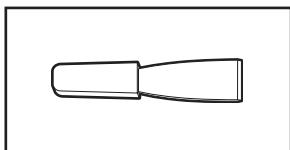
Maulschlüssel, der auf 25 mm (1 Zoll) öffnet, oder ein Sechskantkopf-Steckschlüssel



Dichtmittelspritze und Dichtmittel (für die Installation des neuen Entlüftungssystems)

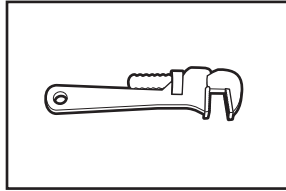


Allzweckmesser/ Tapeziermesser

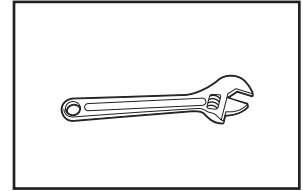


Spachtel

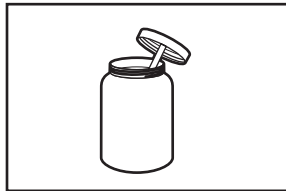
### Für die Gasinstallation erforderliche Werkzeuge:



203 mm oder 254 mm (8" oder 10") Rohrzanze

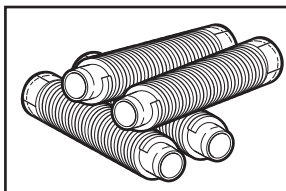


203 mm oder 254 mm (8" oder 10") einstellbarer Schraubenschlüssel (für Gasanschlüsse)

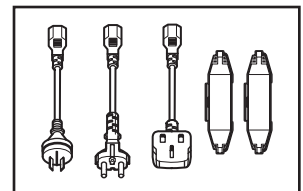


Rohrleitungsverbindungs-dichtmittel, widerstandsfähig gegen LPG-Flüssiggas

### Gelieferte Teile:



Stellfüße (4)



Stecker und Kabelverriegelungs-abdeckungen (werden nur bei einigen Modellen mitgeliefert)

Das Paket mit den Teilen befindet sich in der Trocknertrommel. Prüfen Sie bitte, ob alle Teile vollständig enthalten sind.

### Erforderliche Teile:

Prüfen Sie die lokalen Vorschriften. Prüfen Sie die bestehende elektrische Versorgung und Entlüftung. Bitte lesen Sie vor dem Kauf von Teilen die Abschnitte "Anforderungen an die Elektrik" und "Anforderungen an das Entlüftungssystem".

Prüfen Sie die Anforderungen der Vorschriften. Einige Vorschriften begrenzen bzw. untersagen die Installation eines Trockners in Garagen, Abstellkammern, Wohnmobilen sowie in Schlafquartieren. Kontaktieren Sie Ihren lokalen Gebäudeinspektor.

### Optionale Ausrüstung: (Wird nicht mit dem Trockner mitgeliefert)

Näheres zu Zubehörteilen für Ihren Trockner finden Sie in der Bedienungsanleitung und in der Pflegeanleitung.



## Anforderungen an den Aufstellraum

### ⚠ ACHTUNG



#### Explosionsgefahr

Halten Sie brennbare Materialien und Dämpfe wie Benzin vom Trockner fern.

Stellen Sie das Gerät nicht in einer Garage auf.

Andernfalls besteht die Gefahr tödlicher Verletzungen, Explosions- oder Brandgefahr.

#### Sie benötigen:

- Einen Aufstellort, der eine korrekte Abluftinstallation ermöglicht. Siehe hierzu "Anforderungen an das Entlüftungssystem".
- Ein separater 30-A-Stromkreis für Elektrotrockner.
- Ein separater 15-A- oder 20-A-Stromkreis für Gastrockner.
- Bei Verwendung eines Netzkabels muss sich eine geerdete Steckdose innerhalb von 610 mm auf einer Seite des Trockners befinden. Siehe hierzu "Anforderungen an die Elektrik".
- Damit der Boden den Trockner gut aushalten und das Gesamtgewicht (Trockner und Beladung) von 90,7 kg tragen kann, muss der Boden massiv ausgelegt sein. (200 lbs). Außerdem sollte dazu noch das Gewicht eines zweiten Geräts berücksichtigt werden.
- Der Boden muss eben mit einer maximalen Neigung von 25 mm (1 Zoll) unter dem gesamten Trockner sein. Ist die Neigung größer als 25 mm (1 Zoll), muss der Bausatz "Trocknererweiterung-Stellfüße", Teilenummer 279810, bestellt werden. Wenn der Boden nicht eben ist, drehen sich die Teile nicht richtig im Trockner, und es ist möglich, dass die Automatiksensor-Trocknungsprogramme nicht korrekt funktionieren.

Betreiben Sie Ihren Trockner nicht bei Temperaturen unter 7 °C (45 °F). Bei niedrigeren Temperaturen kann es vorkommen, dass sich der Trockner am Ende des Automatikprogramms nicht stoppt. Die Trocknungszeiten können verlängert werden.

Der Trockner darf nicht in einem Bereich aufgestellt oder gelagert werden, in dem er Wasser und/oder Wetterbedingungen ausgesetzt ist.

Prüfen Sie die Anforderungen der Vorschriften. Einige Vorschriften begrenzen bzw. untersagen die Installation eines Trockners in Garagen, Abstellkammern, Wohnmobilen sowie in Schlafquartieren. Kontaktieren Sie Ihren lokalen Gebäudeinspektor.

**HINWEIS:** In der gleichen Abstellkammer, in der sich ein Trockner befindet, darf sich kein weiteres Gerät befinden, das Brennstoff-betrieben ist.

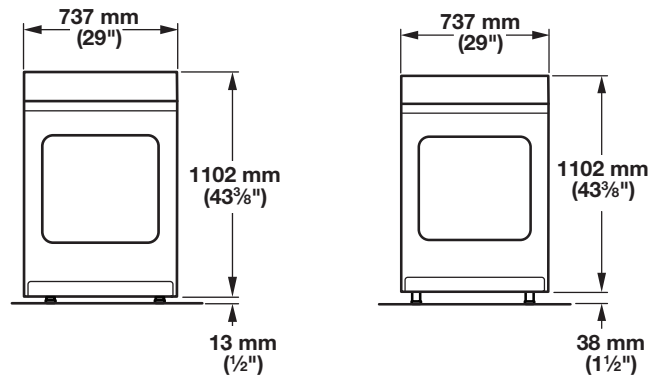
#### Installations-Mindestabstände:

Der Aufstellort muss so groß bemessen sein, dass sich die Trocknertür vollständig öffnen lässt.

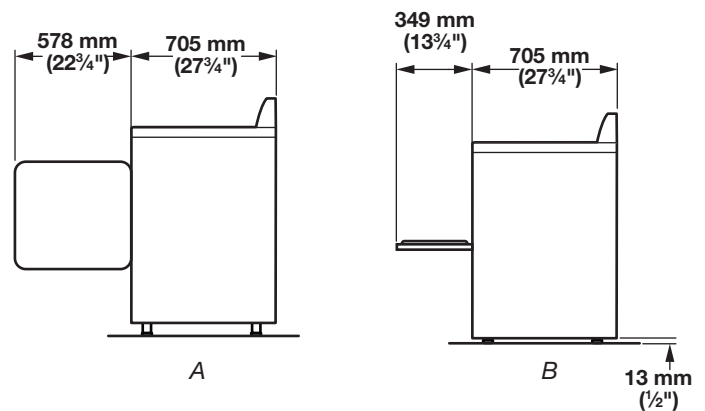
Der Trockner darf nicht hinter einer abschließbaren Tür, einer Schiebetür oder einer Tür mit einem Scharnier aufgestellt werden, das sich auf der gegenüber liegenden Seite zu der des Trockners befindet und auf diese Weise die volle Öffnung der Trocknertür einschränkt.

Die meisten Installationen erfordern hinter dem Trockner einen Mindestabstand von 140 mm (5½ Zoll) für das Abluftsystem mit dem Krümmer. Siehe hierzu "Anforderungen an das Entlüftungssystem".

## Trockner-Abmessungen

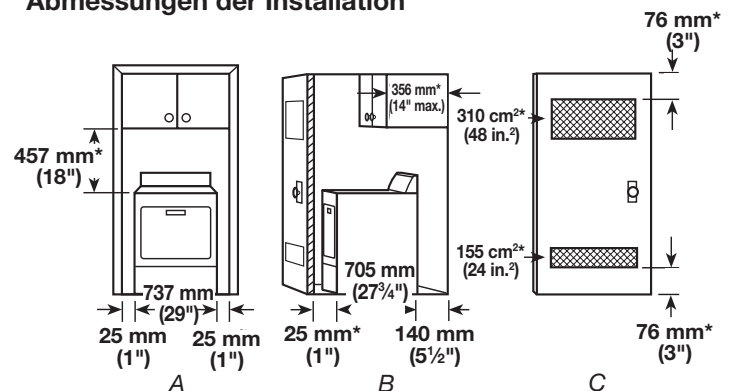


**HINWEIS:** Die Stellfüße müssen 13 mm (1/2 Zoll) (zur Anpassung an eine Höhe von 0,102 m<sup>3</sup> Kapazität Unterlegscheibe) oder 38 mm (1½ Zoll) lang sein (zur Anpassung an eine Höhe von 0,108 m<sup>3</sup> Kapazität Unterlegscheibe).



A. Seitlicher Türanschlag mit großer Öffnung  
B. Klappe mit großer Öffnung

## Abmessungen der Installation



A. Nische  
B. Seitenansicht – Abstellkammer oder enger Raum  
C. Tür der Abstellkammer mit Be-/Entlüftungsöffnungen

\*Erforderliche Abmessungen

## Installationsplatz für Nische oder Abstellkammer

Die angegebenen Abmessungen gelten für die zulässigen Mindestmaße.

- Zur Erleichterung der Installation und des Kundendienstes sollte zusätzlicher Platz berücksichtigt werden.
- Unter Umständen wird zusätzlicher freier Platz für Wände, Tür und Fußraumleisten benötigt.
- Um eine Geräuschübertragung zu vermeiden, wird ein zusätzlicher freier Platz von 25 mm (1 Zoll) auf allen Seiten des Trockners empfohlen.
- Bei einer Installation in einer Abstellkammer mit einer Tür sind Mindestentlüftungsöffnungen oben und unten in der Tür der Kammer erforderlich. Mit Be-/Entlüftungsöffnungen ausgestattete Türöffnungen sind zulässig.
- Es sollte auch der Platzbedarf für ein zweites Gerät einkalkuliert werden.

## Wohnmobil – Anforderungen an Zusatzinstallation

Dieser Trockner ist für die Installation in Wohnmobilen geeignet. Die Installation muss mit den örtlichen Vorschriften und Verordnungen übereinstimmen.

- Abluftsystem aus Metall, zum Kauf erhältlich.
- In Wohnmobilen müssen spezielle Vorkehrungen getroffen werden, damit die Außenluft in den Trockner eingeleitet wird. Die Öffnung (wie ein nahe gelegenes Fenster) muss mindestens doppelt so groß sein wie die Abluftöffnung des Trockners.

# ELEKTROTROCKNER – ELEKTRISCHER ANSCHLUSS

## Elektrische Anforderungen

**⚠ ACHTUNG**



**Spannungsgefahr**

Dieser Trockner ist mit einem Netzkabel mit Stecker ausgestattet. Der Anschluss muss von einem kompetenten Elektriker an eine einphasige Stromversorgung vorgenommen werden, welche die Spannung besitzt, die auf dem Typenschild des Geräts angegeben ist; dazu ist eine geeignete Festverdrahtungsinstallation gemäß den geltenden lokalen und nationalen Vorschriften für Verdrahtungen zu nutzen.

- Es muss ein 3-adriges Rundkabel mit einem Mindestleiterquerschnitt von 4 mm<sup>2</sup> verwendet werden.
- Es muss eine 30-A-Sicherung der Versorgung verwendet werden. Es muss ein Schalter mit einer Kontakttrennung in beiden Polen, der die vollständige elektrische Trennung gemäß den Bedingungen von Überspannungskategorie III in die Festverdrahtung gemäß den geltenden lokalen Vorschriften eingesetzt werden. Der Trockner muss so aufgestellt werden, dass der Trennschalter deutlich sichtbar und für den Benutzer leicht zugänglich ist. Dieser Trennschalter hat für den Benutzer auch die Funktion eines Notausschalters.

- Eine Kabelklemme wird mit dem Trockner mitgeliefert und muss nach Beendigung der Verdrahtung festgezogen werden. Die Stromnetzklappen befinden sich hinter der kleinen Zugangsklappe auf der Rückseite (Abdeckung des Klemmenblocks); alle Anschlüsse müssen in Übereinstimmung mit den Klemmenmarkierungen erfolgen. Bitte setzen Sie danach die Zugangsklappe zu den Klemmen (die Abdeckung des Klemmenblocks) wieder auf.

**HINWEIS:** Gemäß der europäischen EMV-Richtlinie (2004/108/EC) beträgt die maximale Impedanz des Stromversorgungssystems, an das der Elektrotrockner angeschlossen wird, 0,054 Ohm + 0,034 Ohm.

**HINWEIS:** Elektrische Sicherheitsstandards: Der Hersteller hat die Erfüllung der Normen IEC/EN.60335 als beste Eignung für dieses Produkt gewählt.

**⚠ ACHTUNG**



**Stromschlaggefahr**

**Dieses Gerät ist 3-adrig und muss geerdet werden.  
Die Erdung nicht an eine Gasleitung legen.  
Werden diese Anweisungen nicht beachtet, können sie zu Tod, Brand oder schweren Verletzungen führen.**

Falls es die geltenden Vorschriften zulassen und ein zusätzlicher Erdleiter verwendet wird, dann wird empfohlen, einen qualifizierten Elektriker bestimmen zu lassen, dass der Erdleitungs Pfad adäquat ist.

## Empfohlene Erdungsmethode

Es ist Ihre Verantwortung, einen qualifizierten Elektroinstallateur zu kontaktieren, um sicherzustellen, dass die elektrische Installation adäquat und in Übereinstimmung mit allen geltenden Vorschriften und Verordnungen ist.

# STELLFÜSSE INSTALLIEREN

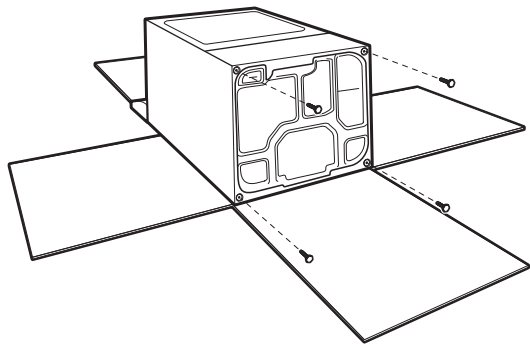
## ⚠ ACHTUNG

### Hohes Gewicht

Zum Transport und Installieren des Trockners sind zwei oder mehr Personen erforderlich.

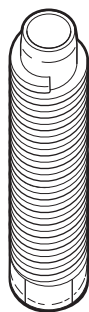
Andernfalls besteht die Gefahr von Rückenverletzungen oder anderen Verletzungen.

## 1. Bereiten Sie den Trockner für die Stellfüße vor



Um Schäden des Fußbodens zu vermeiden, nehmen Sie bitte ein großes, flaches Stück Karton vom Karton des Trockners und legen Sie es unter die gesamte Rückkante des Trockners. Fassen Sie dann das Gehäuse des Trockners (nicht die Blende der Konsole) und legen Sie den Trockner vorsichtig um auf den Karton.

## 2. Schrauben Sie die Stellfüße ein

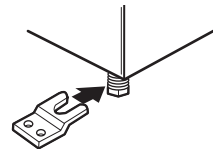


Schrauben Sie mit dem Schraubenschlüssel und mit Hilfe des Maßbands die Stellfüße in die Öffnungen, bis die Unterseite der Füße etwa 13 mm (1/2 Zoll) beträgt (zur Anpassung an eine Höhe von 0,102 m<sup>3</sup> Kapazität Unterlegscheibe) oder 38 mm (1 1/2 Zoll) beträgt (zur Anpassung an eine Höhe von 0,108 m<sup>3</sup> Kapazität Unterlegscheibe).

Stellen Sie den Trockner jetzt auf seine Füße. Schieben Sie den Trockner an die für die Installation vorgesehene Stelle. Lassen Sie ausreichend Platz für den Anschluss der Elektrik und des Abluftsystems.

## Für Benutzer von Wohnmobilen

Gastrockner müssen sicher am Boden befestigt werden.



Für Wohnmobil-Installationen ist ein spezieller Halterungssatz für Wohnmobil-Installationen erforderlich. Nähere Informationen für Bestellungen finden Sie in der Bedienungsanleitung und in der Pflegeanleitung.

# GASTROCKNER – ELEKTRISCHER ANSCHLUSS

## Anforderungen an die Gasversorgung

## ⚠ ACHTUNG



### Explosionsgefahr

Benutzen Sie eine neue, von CSA International zugelassene Gasversorgungsleitung.

Installieren Sie ein Absperrventil.

Ziehen Sie alle Gasanschlüsse gut fest.

Bei einem Anschluss an Flüssiggas (LP) muss eine qualifizierte Person sicherstellen, dass der Gasdruck eine Wassersäule von 330 mm (13 Zoll) nicht überschreitet.

Beispiele für qualifizierte Personen sind:

lizenzierte Fachkräfte für Heizungen, autorisierte Mitarbeiter der Gasgesellschaft, und autorisiertes Kundendienstpersonal.

Andernfalls besteht die Gefahr tödlicher Verletzungen, Explosions- oder Brandgefahr.

## Gastyp

### Erdgas:

Dieser Trockner ist für den Betrieb mit Erdgas ausgestattet. Er ist von der CSA International für LPG (Propan oder Butan) mit entsprechendem Umbau Konstruktions-zertifiziert.

- Ihr Trockner muss den korrekten Brenner für den Gastyp in Ihrem Haushalt aufweisen. Die Brennerinformationen befinden sich auf dem Typenschild in der Türmulde Ihres Trockners.

### Umrüstung auf LPG (Flüssiggas):

Die Umrüstung darf nur von einem qualifizierten Fachmann durchgeführt werden.

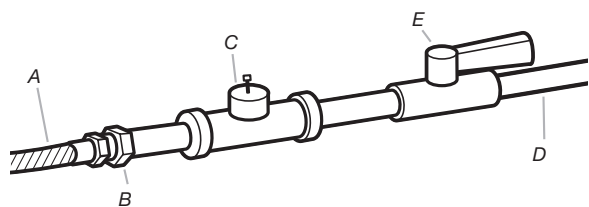
Ohne vorherige Rücksprache mit dem Gaslieferanten darf kein Versuch eines Umbaus von dem auf dem Typenschild/Modell angegebenen Gastyp auf einen anderen Gastyp unternommen werden.

**WICHTIG:** Die Gasinstallation muss mit den örtlichen Vorschriften übereinstimmen.

## Gasversorgungsleitung

- Es wird ein 13 mm (1/2 Zoll) NPT-Rohr empfohlen.
- Eine zugelassene Rohrleitung von 9,5 mm (3/8 Zoll) ist für Längen unter 6,1 m zulässig, wenn es die örtlichen Vorschriften und der Gaslieferant zulassen.
- Es muss ein 3,2 mm (1/8 Zoll) NPT Mindestabgriff, verstopft, vorhanden sein, der für den Anschluss eines Prüfgeräts zugänglich sein muss. Seine Installation muss unmittelbar vor dem Gasanschluss des Trockners erfolgen (siehe hierzu die Abbildung).
- Es muss ein Absperrventil vorhanden sein.

Die Lage des Absperrventils muss so gewählt werden, dass es problemlos geöffnet und geschlossen werden kann.



- A. 9,5 mm (3/8 Zoll) flexibler Gasanschluss
- B. 9,5 mm (3/8 Zoll) Rohr für konischen Adapteranschluss
- C. 3,2 mm (1/8 Zoll) NPT Mindestabgriff, verstopft
- D. 13 mm (1/2 Zoll) NPT Gasversorgungsleitung
- E. Gas-Absperrventil

## Anforderungen an den Gasversorgungsanschluss

Es gibt viele Methoden für den Anschluss Ihres Gastrockners an die Gasversorgung. Im Folgenden sind einige Richtlinien für zwei verschiedene Anschlussmethoden aufgelistet.

Dieser Trockner muss an eine Gasversorgungsleitung mit einem gelisteten flexiblen Gasanschluss angeschlossen werden, der dem Standard für Anschlüsse für gasbetriebene Geräte, CSA 6.10, entspricht.

### Option 1 (Empfohlene Methode)

Flexibler Gasanschluss aus Edelstahl:

- Wenn es die örtlichen Vorschriften zulassen, verwenden Sie einen neuen flexiblen Gasanschluss aus Edelstahl (Konstruktion von CSA International zertifiziert), um Ihren Trockner an eine starre Gasversorgungsleitung anzuschließen. Damit ein Abknicken verhindert wird, verwenden Sie bei Bedarf einen 9,5 mm (3/8 Zoll), konisch x 9,5 mm (3/8 Zoll) NPT-Adapteranschluss zwischen dem Edelstahl-Gasanschluss und der Gasrohrleitung des Trockners.

### Option 2 (Alternative Methode)

Zugelassene Aluminium- oder Kupferrohrleitung:

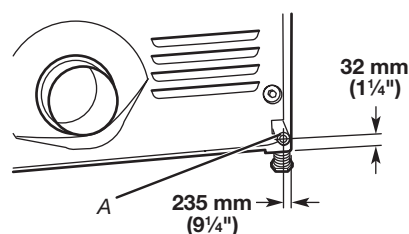
- Bei Längen über 6,1 m kann eine zugelassene Leitung von 9,5 mm (3/8 Zoll) verwendet werden (wenn es die geltenden Vorschriften und der Gaslieferant zulassen).
- Wenn Sie Erdgas benutzen, dürfen Sie keine Kupferleitung verwenden.

- Es muss eine 9,5 mm (3/8 Zoll), konisch, x 9,5 mm (3/8 Zoll) NPT Adapteranschluss zwischen der Trocknerrohrleitung und der zugelassenen Leitung von 9,5 mm (3/8 Zoll) vorhanden sein.
- Bei Längen über 6,1 m sollte eine größere Leitung und ein Adapteranschluss anderer Größe verwendet werden.
- Falls Ihr Trockner auf LPG-Flüssiggas umgestellt wurde, kann eine 9,5 mm (3/8 Zoll) LPG-Flüssiggas-kompatible Kupferleitung verwendet werden. Falls die Gesamtlänge der Versorgungsleitung mehr als 6,1 m beträgt, muss eine größere Rohrleitung verwendet werden.

**HINWEIS:** Es muss ein Rohrleitungsverbindungs-dichtmittel verwendet werden, das widerstandsfähig gegen LPG-Flüssiggas ist. Verwenden Sie kein TEFLON<sup>†</sup>-Band.

## Trockner-Gasrohr

- Das Gasrohr, das auf der Rückseite Ihres Trockners heraus kommt, hat ein 9,5 mm (3/8 Zoll) Rohraußengewinde.



A. 9,5 mm (3/8 Zoll) NPT-Trockner-Rohrleitung

## Anforderungen an den Brenneingang

### Standorte bis zu 3.048 m Höhe über Meer:

- Die Konstruktion dieses Trockners ist von CSA International für die Verwendung auf Standorten bis zu 3.048 m Höhe über Meer gemäß der auf dem Typenschild/Modell angegebenen BTU-Kapazität zulässig. Die Anforderungen an den Brenneingang entfallen, wenn der Trockner unterhalb dieser Meereshöhe eingesetzt wird.

### Standorte über 3.048 m Höhe über Meer:

- Bei einer Installation des Trockners über 3.048 m über Meer ist eine 4%-ige Reduzierung der auf dem Typenschild/Modell angegebenen BTU-Kapazität pro 305 m zusätzliche Höhe über Meer erforderlich.

### Prüfung des Gasversorgungsdrucks

- Der Trockner muss von dem Gasversorgungs-Rohrleitungssystem während Druckprüfungen mit Drücken über 352 kg/m<sup>2</sup> (1/2 psi) abgetrennt werden.

<sup>†</sup>TEFLON ist ein eingetragenes Warenzeichen von Chemours.

## Elektrische Anforderungen

### ⚠ ACHTUNG



#### Stromschlaggefahr

- Stecken Sie das Kabel in eine geerdete Steckdose.
- Entfernen Sie den Erdungspin nicht.
- Verwenden Sie keinen Adapter.
- Verwenden Sie kein Verlängerungskabel.
- Werden diese Anweisungen nicht beachtet, können sie zum Tod, Brand oder Elektroschock führen.

- Es ist eine abgesicherte Stromversorgung 120 Volt, 60 Hz, nur Wechselspannung (AC), mit einer 15-A- oder 20-A-Sicherung erforderlich. Es wird empfohlen, eine Sicherung mit Zeitverzögerung oder einen Überlastschalter (Schütz) zu verwenden. Es wird auch empfohlen, einen eigenen Stromkreis zu verwenden, an dem nur der Trockner angeschlossen ist.

### ANWEISUNGEN ZUR ERDUNG

- Für einen geerdeten, mit Netzkabel angeschlossenen Trockner:  
Dieser Trockner muss geerdet werden. Im Falle eines fehlerhaften Funktionierens oder einer Störung verringert die Erdung das Stromschlagrisiko, weil es für den elektrischen Strom einen Weg des geringsten Widerstands gibt. Dieser Trockner ist mit einem Netzkabel mit einem Erdleiter und einer Erdungsbuchse ausgestattet. Das Netzkabel muss in eine entsprechende Steckdose eingeführt werden, die in Übereinstimmung mit den geltenden Vorschriften und Gesetzen des Landes korrekt installiert und geerdet ist.

**ACHTUNG:** Ein unsachgemäßer Anschluss des Erdleiters des Geräts kann zum Risiko eines Elektroschocks führen. Fragen Sie einen qualifizierten Elektriker oder Kundendienstvertreter oder -mitarbeiter um Rat, wenn Sie Zweifel an der korrekten Erdung des Trockners haben. Veränderungen am Netzstecker des Trockners sind nicht zulässig - wenn der Stecker nicht in die Steckdose passt, muss von einem qualifizierten Elektriker eine passende Steckdose installiert werden.

**BITTE BEWAHREN SIE DIESE  
BEDIENUNGSANLEITUNG AUF**

## ENTLÜFTUNGSSYSTEM

### Anforderungen an das Entlüftungssystem

### ⚠ ACHTUNG



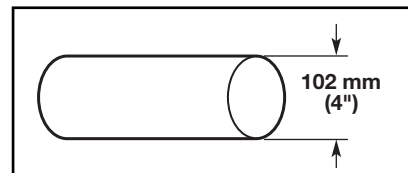
#### Brandgefahr

- Verwenden Sie einen Abluftkanal aus stabilem Metall.
- Verwenden Sie keinen Abluftkanal aus Kunststoff.
- Verwenden Sie keinen Abluftkanal aus Metallfolie.
- Befolgen Sie unbedingt diese Anweisungen.
- Andernfalls besteht die Gefahr tödlicher Verletzungen oder Brandgefahr.

**WARNUNG:** Um das Risiko eines Brandes zu reduzieren, MUSS dieser Trockner INS FREIE ABLÜFTEN.

**WICHTIG:** Alle geltenden gesetzlichen Vorschriften und Verordnungen müssen beachtet werden.

Der Trockner-Abluftausgang darf keinesfalls an eine Gasentlüftungsleitung, einen Kaminabzug, eine Wand, Decke, abgehängte Decke, an einen Schacht oder einen verborgenen Raum eines Gebäudes angeschlossen werden. Für das Abluftsystem dürfen nur starre oder flexible Leitungen aus Metall verwendet werden.



102 mm (4 Zoll) starke Abluftleitung aus Metall

- Es dürfen ausschließlich eine 102 mm (4 Zoll) starke Abluftleitung aus Metall und entsprechende Klemmschellen verwendet werden.
- Es dürfen keine Leitungen aus Kunststoff oder Metallfolie verwendet werden.

#### Starre Metallabluftleitungen:

- Diese werden für die beste Trockenleistung und zur Vermeidung von Leitungsschäden und Knicken empfohlen.

**Flexible Metallabluftleitungen:** (diese sind nur dann zulässig, wenn sie für die Reinigung zugänglich sind)

- Sie müssen am endgültigen Aufstellstandort des Trockners voll ausgebreitet und abgestützt sein.
- Entfernen Sie überschüssiges Material, um ein Durchsacken und Abknicken zu verhindern, das zu einem reduzierten Luftstrom und niedriger Leistung führen kann.
- Die Aufstellung darf nicht in geschlossenen Wänden, Decken oder Böden erfolgen.
- Die Gesamtlänge darf 2,4 m (7<sup>3</sup>/<sub>4</sub> ft.) nicht überschreiten.

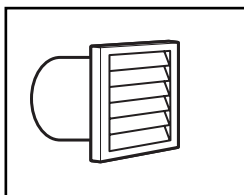
**HINWEIS:** Wird ein bestehendes Entlüftungssystem genutzt, entfernen Sie jegliche Fusseln aus dem System über die gesamte Länge, und stellen Sie sicher, dass die Ablufthaube nicht mit Fusseln zugesetzt ist. Entfernen Sie Entlüftungselemente aus Kunststoff oder Metallfolie durch starre oder flexible Entlüftungselemente aus Metall. Lesen Sie in der "Entlüftungssystem - Tabelle" nach, und ändern Sie ggf. das bestehende Entlüftungssystem so, dass es die beste Trocknungsleistung bringt.



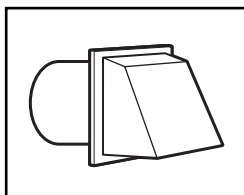
## Ablufthauben:

- Sie müssen sich mindestens 305 mm (12 Zoll) vom Boden bzw. von allen Objekten entfernt befinden, welche den Luftaustritt blockieren können (wie beispielsweise Blumen, Steine, Büsche oder Schnee).

## Empfohlene Konstruktionen:

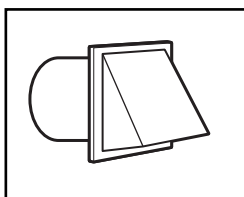


Ablufthaube mit Be-/Entlüftungsschlitzen



Kastenförmige Ablufthaube

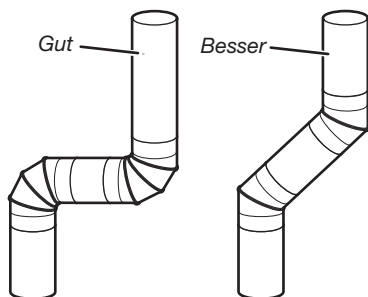
## Zulässige Konstruktionen:



Ablufthaube, gewinkelt

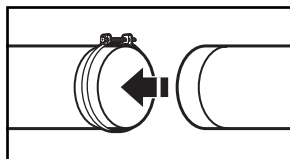
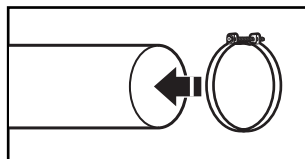
## Krümmer:

- 45° Krümmen sorgen für einen besseren Luftstrom als 90° Krümmen.



## Klemmschellen:

- Verwenden Sie Klemmschellen zum Abdichten aller Verbindungsstellen.
- Die Abluftleitung darf nicht mit Schrauben oder anderen Befestigungselementen angeschlossen oder gesichert werden, die sich bis ins Innere des Schachts/Kanals erstrecken und dort zu Fusselbildungen führen können. Verwenden Sie kein Klebeband für den Schacht/Kanal.



**Eine unsachgemäße Be-/Entlüftung kann Ansammlungen von Feuchtigkeit und Fusseln im Haushalt zur Folge haben, die zu Folgendem führen können:**

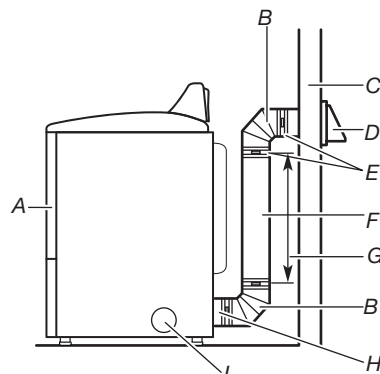
- Zu Schäden durch Feuchtigkeit in den Innenräumen an Holzpaneelen, Holzmöbeln, Wandfarben, Wandtapeten, Teppichen usw.
- Zu Problemen bei der Reinigung des Haushalts und zu gesundheitlichen Problemen.

Nähere Informationen siehe "Entlüftungs-Bausätze".

## Ebenes Entlüftungssystem

### Empfohlene Abluftinstallationen

Typische Entlüftungsinstallation, die den Trockner von der Rückseite entlüftet. Andere Installationen sind möglich.



- |                |                                                                             |
|----------------|-----------------------------------------------------------------------------|
| A. Trockner    | F. Starres oder flexibles Entlüftungselement aus Metall                     |
| B. Krümmer     | G. Erforderliche Länge der Entlüftungsleitung für den Anschluss der Krümmer |
| C. Wand        | H. Abluftauslass                                                            |
| D. Ablufthaube | I. Optionaler seitlicher Luftauslass                                        |
| E. Klemmen     |                                                                             |

## ⚠ ACHTUNG

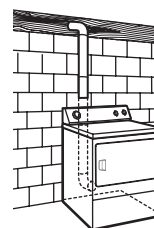


### Brandgefahr

Decken Sie nicht benutzte Auslassöffnungen mit einem Abdecksatz für Auslassöffnungen vom Hersteller ab.

Kontaktieren Sie Ihren lokalen Händler.

Werden diese Anweisungen nicht beachtet, können sie zu Tod, Brand, elektrischem Schlag oder schweren Verletzungen führen.

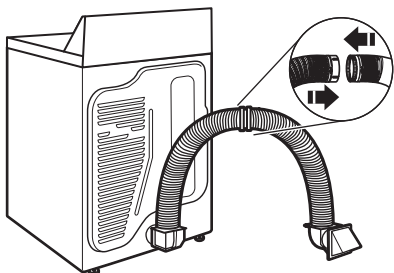


Serienmäßige Abluftinstallation auf der Rückseite, versetzt

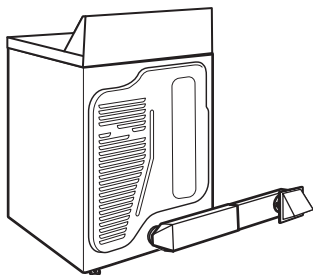


## Alternative Installationen für geringe Freiräume um das Gerät

Abluftsysteme gibt es in vielen Varianten. Wählen Sie den Typ, der für Ihre Installation am besten geeignet ist. Es sind zwei Installationen mit geringen Freiräumen um das Gerät abgebildet. Näheres siehe die Herstelleranweisungen.



Installation Über-Kopf (sie ist auch mit einem Versatz-Krümmern erhältlich)



Periskop-Installation

**HINWEIS:** Die folgenden Bausätze für geringe Freiräume um das Gerät sind zum Kauf erhältlich.

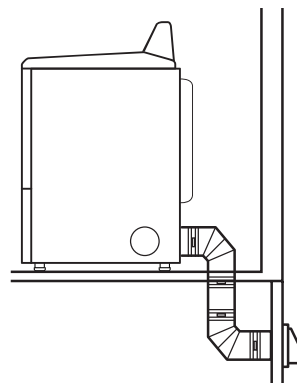
## Entlüftungs-Bausätze

Für weitere Informationen besuchen Sie uns bitte unter [www.applianceaccessories.com](http://www.applianceaccessories.com) oder kontaktieren Sie den Händler, bei dem Sie den Trockner gekauft haben, oder eine autorisierte Kundendienstfirma.

Teilenummer	Beschreibungen
8171587RP	0-5 Zoll Entlüftungsperskop aus Metall
4396037RP	0-18 Zoll Entlüftungsperskop aus Metall
4396011RP	18-29 Zoll Entlüftungsperskop aus Metall
4396014	29-50 Zoll Entlüftungsperskop aus Metall
4392892	DuraVent™ Periskop aus Metall, für Einbau in die Wand
4396028	Sure Connect™ Entlüftungs-Bausatz (Installation "Über-Kopf")
4396009RP	1,5 m universelle Anschlusslüftungsleitung, flexible Trocknerlüftungsleitung
4396010RP	1,8 m SecureConnect™ Entlüftungsleitung, flexible Trocknerlüftungsleitung
4396013RB	Installations-Bausatz für Entlüftung des Trockners
4396033RP	1,5 m flexible Entlüftungsleitung mit Klemmschellen für Trockner
4396727RP	1,8 m flexible Entlüftungsleitung mit Klemmschellen für Trockner
4396004	Trockner, versetztes Winkelstück
4396005	Wand, versetztes Winkelstück
4396006RW	DuraSafe™ enges Winkelstück
4396007RW	Entlüftungskappe, durch die Wand
4396008RP	Klemmschellen (2er Packung) für 4 Zoll Entlüftungsöffnung für Trockner
8212662	Bündig montierte Ablufthaube mit Be-/Entlüftungsschlitz, 4 Zoll

## Sondervorkehrungen für Installationen in Wohnmobilen:

Die Entlüftungsöffnung muss sicher an einem nicht brennbaren Strukturteil des Wohnmobils befestigt werden und darf nicht unter dem Wohnmobil enden. Die Entlüftungsöffnung muss ins Freie führen.



### Legen Sie den Pfad des Entlüftungssystem fest:

- Wählen Sie einen Verlauf, der so gerade und direkt wie möglich ins Freie führt.
- Planen Sie für die Installation so wenig Krümmerelemente und Biegungen ein.
- Wenn Sie Krümmerelemente verwenden oder Biegungen herstellen, lassen Sie dabei so viel Platz wie nur möglich.
- Biegen Sie die Entlüftungsleitung graduell über einen längeren Verlauf, um Knicke zu vermeiden.
- Bitte verlegen Sie so wenige 90°-Biegungen wie möglich.

### Legen Sie die Länge der Entlüftungsleitung und die Anzahl der Krümmerelemente fest, die für eine optimale Trocknerleistung erforderlich sind:

- Bitte beachten Sie die Angaben in der "Entlüftungssystem – Tabelle" zur Festlegung des Materialtyps für das Entlüftungssystem und die entsprechenden zulässigen Ablufthaubenkombinationen.

**HINWEIS:** Verwenden Sie keine Entlüftungselemente, die länger sind als die in der "Entlüftungssystem – Tabelle" aufgeführten. Längere Abluftsysteme als die aufgeführten werden:

- Die Lebensdauer des Trockners beeinträchtigen.
- Die Leistung beeinträchtigen und damit zu längeren Trocknungszeiten und zu einem erhöhten Energieverbrauch führen.

In der "Entlüftungssystem – Tabelle" sind die Anforderungen für das Abluftsystem genannt, mit dem Sie die beste Trocknungsleistung erzielen.

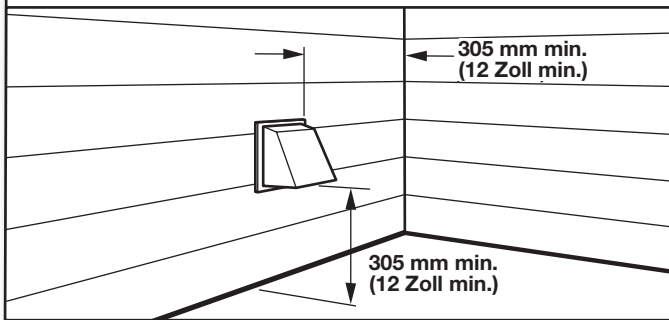
Entlüftungssystem – Tabelle			
Anzahl von 90° Krümmern oder Winkelementen	Entlüftungselement, Typ	Ablufthauben, kastenförmig/ mit Be-/Entlüftungsschlitz	Ablufthauben, gewinkelt
0	Starres Metall	20 m	17,7 m
1	Starres Metall	16,5 m	14,6 m
2	Starres Metall	13,4 m	11,6 m
3	Starres Metall	10,7 m	8,8 m
4	Starres Metall	8,2 m	6,4 m

## Entlüftungssystem – Tabelle (Nur Modelle mit langem Entlüftungssystem)

Anzahl von 90° Krümmern oder Winkelelementen	Entlüftungsele- ment, Typ	Ablufthauben, kastenförmig/ mit Be-/ Entlüftungsschlitz oder gewinkelt
0	Starres Metall	36,6 m
1	Starres Metall	33,5 m
2	Starres Metall	30,5 m
3	Starres Metall	27,4 m
4	Starres Metall	24,4 m
5	Starres Metall	21,3 m

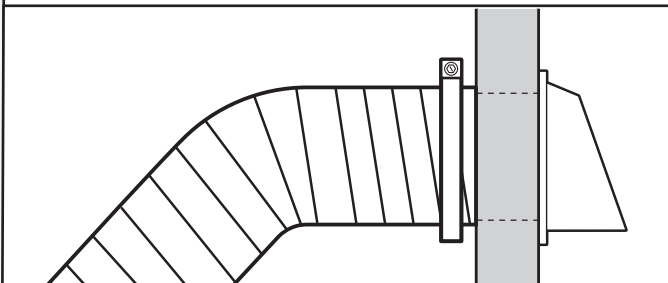
## Installieren Sie das Entlüftungssystem

### 1. Installieren Sie die Ablufthaube



Installieren Sie die Ablufthaube und verwenden Sie Dichtmittel, um die Außenwandöffnung um die Ablufthaube herum abzudichten.

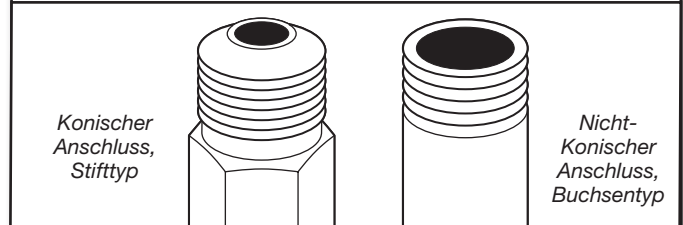
### 2. Schließen Sie die Entlüftung an die Ablufthaube an



Die Entlüftung muss über die Ablufthaube passen. Sichern Sie die Entlüftungsleitung an der Ablufthaube mit der Klemmschelle von 102 mm (4 Zoll). Lassen Sie die Entlüftungsleitung so gerade wie möglich zum Aufstellort des Trockners verlaufen. Vermeiden Sie 90° Winkel. Verwenden Sie Klemmschellen zum Abdichten aller Verbindungsstellen. Die Abluftleitung darf nicht mit Klebeband, Schrauben oder anderen Befestigungselementen angeschlossen oder gesichert werden, die sich bis ins Innere des Schachts/Kanals erstrecken, da diese dort zu Fusselbildungen führen können.

## GASANSCHLUSS HERSTELLEN

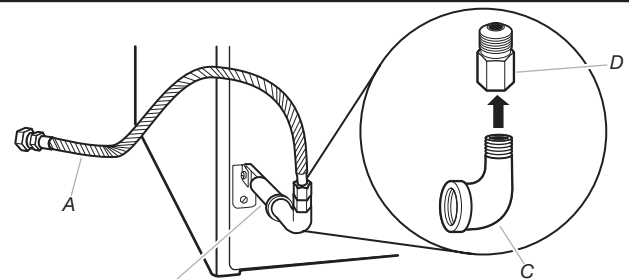
### 1. Schließen Sie die Gasversorgung am Trockner an



Nehmen Sie die rote Kappe von der Gasrohrleitung. Schließen Sie die Gasversorgung an den Trockner an und ziehen Sie die Leitung mit einem Schraubenschlüssel fest. Tragen Sie auf alle Gewinde aller nicht-konischen Anschlüsse Rohrverbindungs-dichtmittel auf. Wenn eine flexible Metallleitung verwendet wird, dürfen keinerlei scharfe Biegungen/Knicke vorhanden sein.

**HINWEIS:** Bei LPG-Flüssiggasanschlüssen muss ein Rohrleitungsverbindungs-dichtmittel verwendet werden, das widerstandsfähig gegen LPG-Flüssiggas ist. Verwenden Sie kein TEFLON®-Band.

### 2. Ebener Rohrleitungsanschluss



A. 9,5 mm (3/8 Zoll) flexibler Gasanschluss

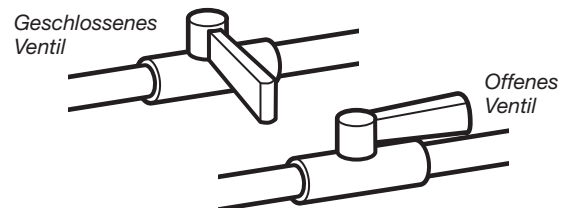
B. 9,5 mm (3/8 Zoll) NPT-Trockner-Rohrleitung

C. 9,5 mm (3/8 Zoll) bis 9,5 mm (3/8 Zoll) Leitungskrümmter

D. 9,5 mm (3/8 Zoll) Rohr für konischen Adapteranschluss

Für den Anschluss des Trockners an die bestehende Gasleitung muss eine Kombination von Leitungsanschlüssen verwendet werden. Ein empfohlener Anschluss ist abgebildet. Ihr Anschluss kann je nach Art, Größe und Lage der Versorgungsleitung anders sein.

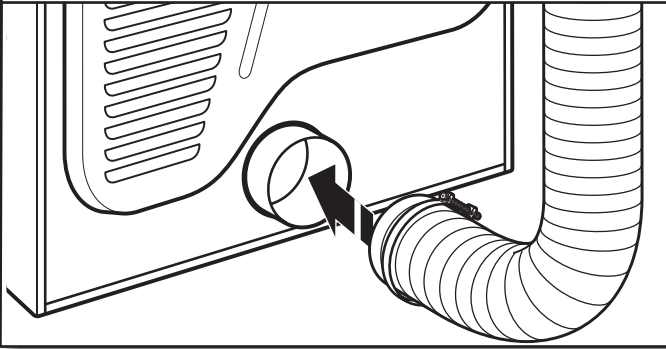
### 3. Absperrventil öffnen



Öffnen Sie das Absperrventil in der Versorgungsleitung; das Ventil ist offen, wenn sich der Griff parallel zur Gasleitung befindet. Prüfen Sie dann alle Anschlüsse durch Aufpinseln einer zugelassenen nicht-korrosiven Lecksuchlösung. Bläschen zeigen ein Leck an. Reparieren Sie alle Lecks.

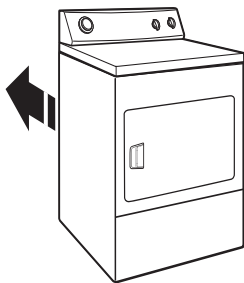
## ENTLÜFTUNG ANSCHLIESSEN

### 1. Schließen Sie die Entlüftung am Abluftauslass an



Verwenden Sie eine Klemmschelle von 102 mm (4 Zoll) und schließen Sie die Entlüftungsleitung an den Abluftauslass in Ihrem Trockner an. Wenn Sie den Trockner an eine bestehende Entlüftungsleitung anschließen, muss diese ganz sauber sein. Die Entlüftungsleitung des Trockners muss auf den Abluftausgang des Trockners und auf die Innenseite der Ablufthaube passen. Stellen Sie sicher, dass die Entlüftungsleitung an der Ablufthaube mit der Klemmschelle von 102 mm (4 Zoll) gesichert ist.

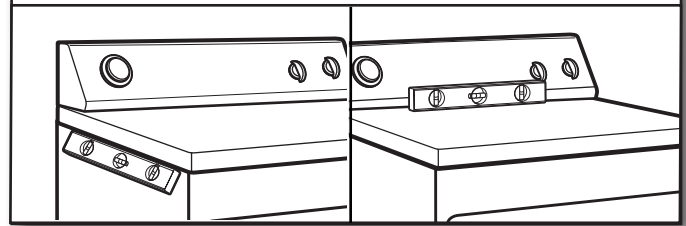
### 2. Transportieren Sie den Trockner zum endgültigen Aufstellungsort



Transportieren Sie den Trockner zum endgültigen Aufstellungsort. Vermeiden Sie es dabei, das Entlüftungssystem zu knicken oder einzuklemmen. Nach der Aufstellung des Trockners an seinem Aufstellungsort entfernen Sie bitte die Eckenschützer und den Karton unter dem Trockner.

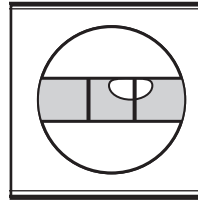
## TROCKNER NIVELLIEREN

### 1. Trockner nivellieren

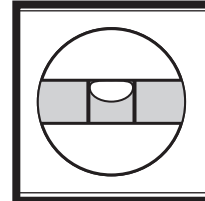


Prüfen Sie die korrekte Nivellierung des Trockners von Seite zu Seite. Vorn vorn nach hinten wiederholen.

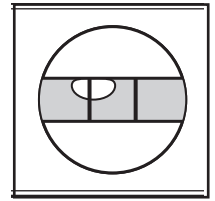
**HINWEIS:** Der Trockner muss ganz gerade stehen, damit das System zur Erfassung der Feuchtigkeit korrekt funktioniert.



Nicht waagrecht

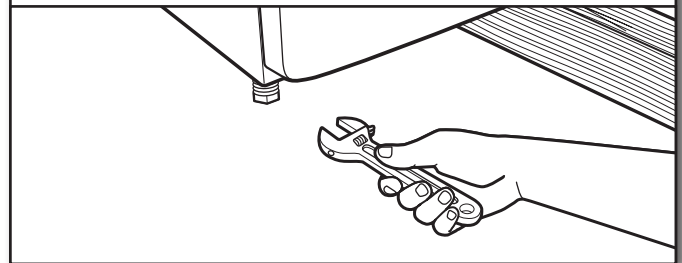


**WAAGERECHT**



Nicht waagrecht

### 2. Stellen Sie die Stellfüße korrekt ein und ziehen Sie diese fest.



Wenn der Trockner nicht auf der gleichen Höhe wie die Waschmaschine steht, unterlegen Sie ihn kurzfristig mit einem entsprechenden Holzklötz. Stellen Sie dann die korrekte Trocknerhöhe durch Höherstellen oder Absenken der Stellfüße mit dem Schraubenschlüssel ein und prüfen Sie abschließend wieder mit der Wasserwaage, ob der Trockner waagrecht ist. Wenn der Trockner waagrecht steht, stellen Sie vor dem Festziehen der Stellfüße zuerst sicher, dass alle vier Füße gut auf dem Boden stellen.

# INSTALLATION DES NETZKABELS (bei einigen Modellen)

**WICHTIG:** Diese Arbeiten dürfen nur von einem autorisierten Kundendienst der Whirlpool Corporation ausgeführt werden.

## ⚠️ ACHTUNG



### Stromschlaggefahr

**Stecken Sie das Kabel in eine geerdete Steckdose.**

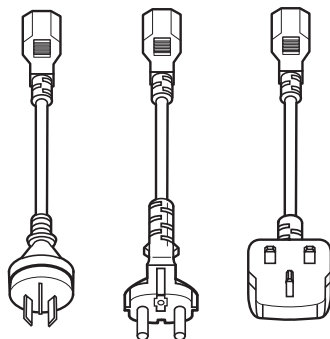
**Entfernen Sie den Erdungspin nicht.**

**Verwenden Sie keinen Adapter.**

**Verwenden Sie kein Verlängerungskabel.**

**Werden diese Anweisungen nicht beachtet, können sie zum Tod, Brand oder Elektroschock führen.**

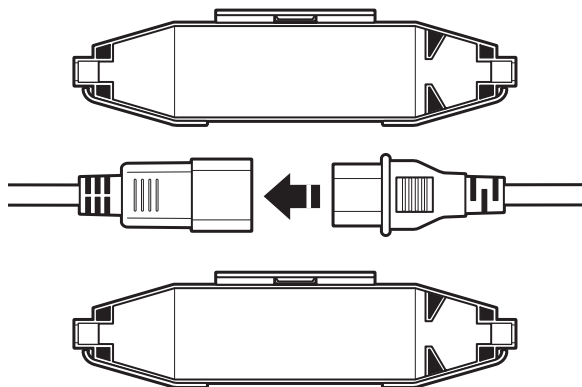
## 1. Wählen Sie den Stecker



Wählen Sie den Stecker, der zur Steckdose passt.

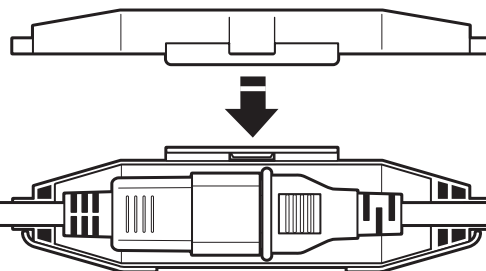
**HINWEIS:** Die Steckertypen und -mengen sind von Modell zu Modell verschieden.

## 2. Montieren Sie den Stecker



Montieren Sie den Stecker in das Netzkabelende, das sich auf der Rückseite des Trockners befindet.

## 3. Netzkabel sichern



Sichern Sie das Netzkabel, indem Sie es in den Anschluss an der Kabelverriegelung einsetzen. Setzen Sie die Abdeckung der Kabelverriegelung auf und drücken Sie darauf, bis sie einrastet. Stellen Sie sicher, dass der Netzkabelanschluss sicher in der Kabelverriegelung sitzt und die Klemmen der Kabelverriegelung korrekt sitzen.

Stecken Sie den Netzkabelstecker in eine geerdete Steckdose. Schalten Sie die Stromversorgung ein.

## KOMPLETTE INSTALLATIONS-CHECKLISTE

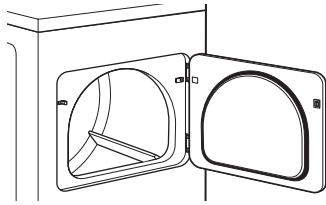
- Prüfen Sie, ob alle Teile vollständig enthalten sind. Wenn Sie ein Teil übrig haben, gehen Sie bitte die Schritte zurück, um zu finden, was Sie versehentlich übersprungen haben.
- Prüfen Sie, dass das gesamte erforderliche Werkzeug bereit liegt.
- Entsorgen/recyceln Sie das gesamte Verpackungsmaterial.
- Prüfen Sie den endgültigen Aufstellort des Trockners. Die Entlüftungsleitung darf keinesfalls eingeklemmt oder geknickt sein.
- Prüfen Sie, dass der Trockner waagrecht steht. Siehe "Nivellierung des Trockners".
- Entfernen Sie die Folie von der Konsole und alle Klebebandreste vom Trockner.
- Wischen Sie das Innere der Trocknertrommel gründlich mit einem leicht feuchten Tuch ab, um jeglichen Staub zu entfernen.
- Lesen Sie in der Bedienungsanleitung und in der Pflegeanleitung den Abschnitt "Benutzung des Trockners".
- Stellen Sie den Trockner auf ein volles Heizprogramm (nicht auf ein Belüftungsprogramm) für die Dauer von 20 Minuten ein und starten Sie den Trockner.

### Falls der Trockner nicht startet, prüfen Sie Folgendes:

- Der Netzstecker des Trockners muss in einer geerdeten 3-adrigen Steckdose stecken.
- Die Stromversorgung muss angeschlossen sein.
- Die Sicherung des Haushalts ist intakt und dicht, und der Schütz hat nicht ausgelöst.
- Die Trocknertür ist richtig geschlossen.
- Wenn das Heizprogramm des Trockners 5 Minuten lang gelaufen ist, öffnen Sie die Trocknertür und prüfen Sie auf Wärme im Inneren. Wenn Sie Wärme spüren können, brechen Sie das Programm ab und schließen Sie die Tür. Wenn Sie keine Wärme spüren können, schalten Sie den Trockner aus und prüfen Sie, ob das Absperrventil der Gasversorgungsleitung offen ist.
  - Wenn das Absperrventil der Gasversorgungsleitung geschlossen ist, wiederholen Sie den 5-Minuten-Test wie oben beschrieben.
  - Wenn das Absperrventil der Gasversorgungsleitung offen ist, kontaktieren Sie bitte einen qualifizierten Techniker.

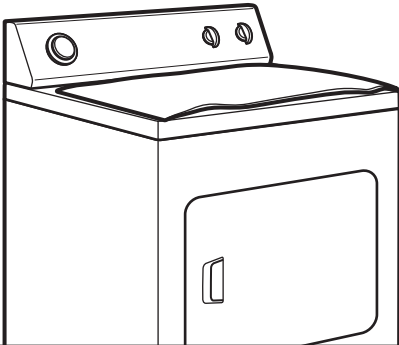
**HINWEIS:** Beim ersten Heizvorgang des Trockners können Gerüche entstehen. Diese Gerüche sind normal für den ersten Gebrauch der Heizelemente. Diese Gerüche verschwinden im Laufe der Zeit von selbst.

## TÜRANSCHLAG WECHSELN (OPTIONAL)



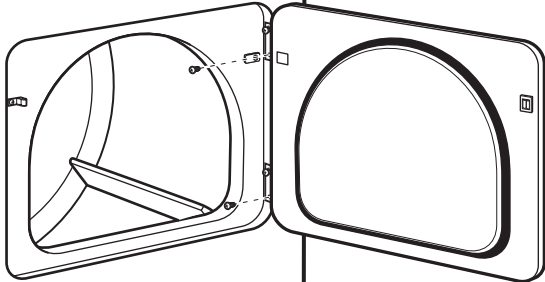
**HINWEIS:** Ein magnetisierter Schraubenzieher ist hilfreich.

### 1. Legen Sie ein Handtuch auf den Trockner



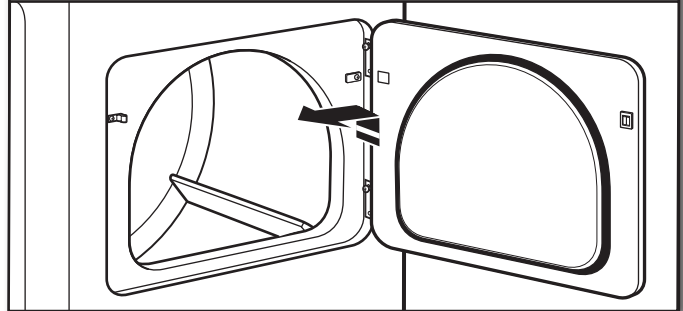
Legen Sie auf die Oberseite des Trockners ein Handtuch, um die Oberfläche nicht zu beschädigen.

### 2. Lösen Sie die unteren Schrauben



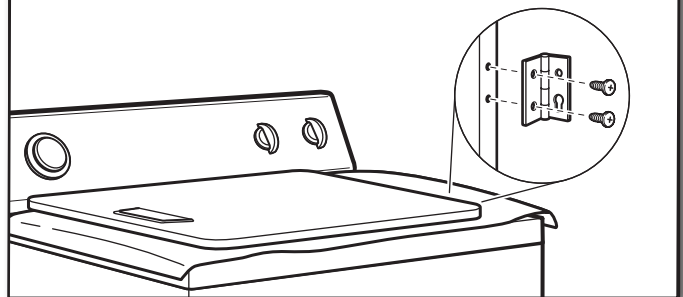
Öffnen Sie die Trocknertür. Lösen Sie die unteren Schrauben aus der Trocknergehäuseseite der Scharniere. Lösen Sie (aber entfernen Sie nicht) die oberen Schrauben aus der Trocknergehäuseseite der Scharniere.

### 3. Heben Sie die Tür von den oberen Schrauben ab



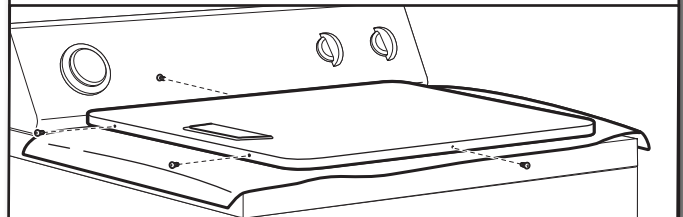
Heben Sie die Tür an, bis sich die oberen Schrauben im Trocknergehäuse im größeren Abschnitt der Scharnieraussparung befinden. Ziehen Sie die Tür nach vorn von den Schrauben weg. Legen Sie die Tür (mit dem Griff nach oben) auf den Trockner. Lösen Sie die oberen Schrauben aus dem Trocknergehäuse.

### 4. Lösen Sie die Schrauben aus den Scharnieren



Lösen Sie die Schrauben, mit denen die Scharniere an der Tür befestigt sind.

### 5. Lösen Sie die Schrauben aus der Tür

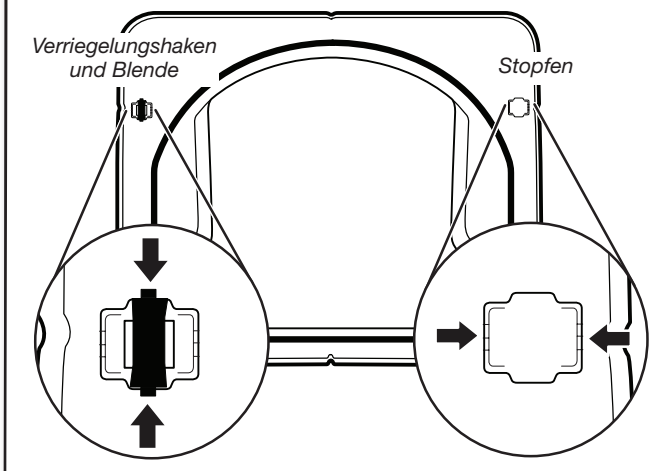


Lösen Sie die (4 Schrauben) oben, unten und seitlich an der Tür, mit denen die Innen- und Außentür zusammen gehalten werden. Halten Sie die Tür über das auf dem Trockner befindliche Handtuch, fassen Sie die Seiten der Außentür und heben Sie diese von der Innentür ab. Legen Sie die Außentür beiseite.

**HINWEIS:** Hebeln Sie die Innen- und Außentür keinesfalls mit einem Tapeziermesser oder Schraubendreher auseinander. Ziehen Sie nicht an der Türdichtung oder an den Türverriegelungshaken aus Kunststoff.

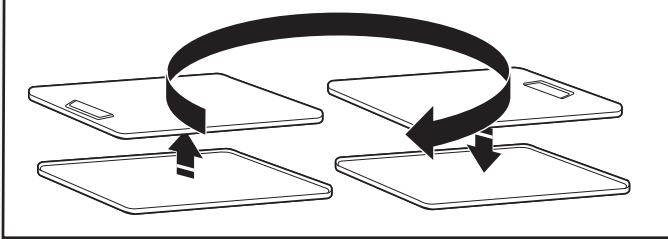


## 6. Setzen Sie die Türverriegelung, die Blende und den Stopfen um



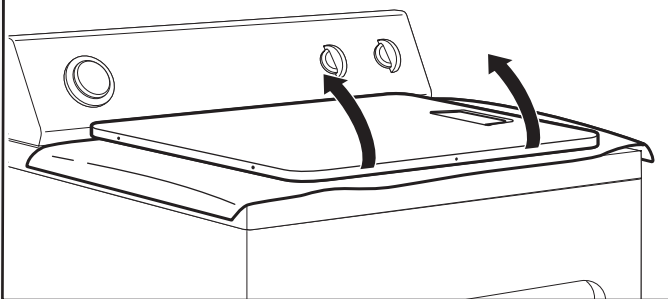
Entfernen Sie den Türverriegelungshaken, die Blende und den Stopfen von der Innenseite der Innentür, indem Sie darauf drücken und sie herausziehen bzw. herausschieben. Setzen Sie den Türverriegelungshaken, die Blende und den Stopfen auf den entsprechenden gegenüber liegenden Seiten ein.

## 7. Drehen Sie die Außentür um



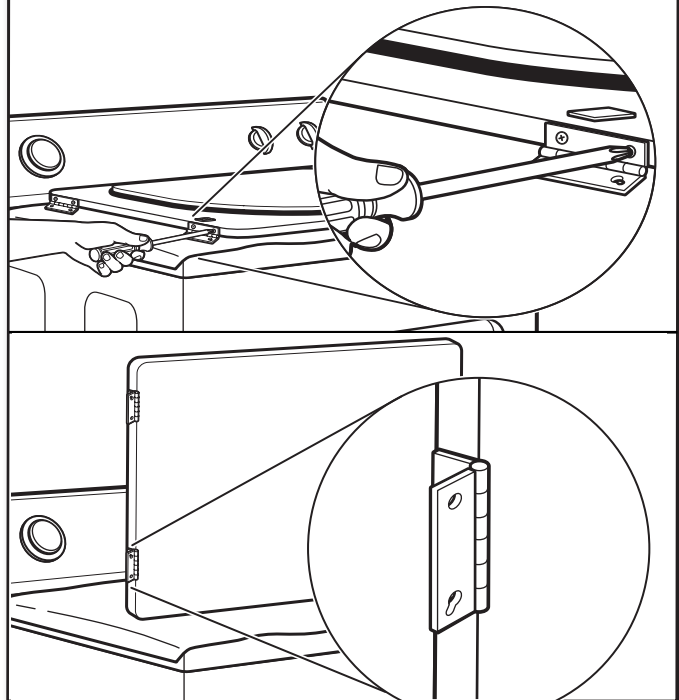
Drehen Sie die Außentür um 180° und setzen Sie diese dann auf der Innentür ab. Bringen Sie die Außentürblende so an der Innentürblende an, dass sich der Griff auf der Seite befindet, auf der die Scharniere gerade entfernt wurden. Setzen Sie die 4 Türschrauben ein

## 8. Drehen Sie die Tür um



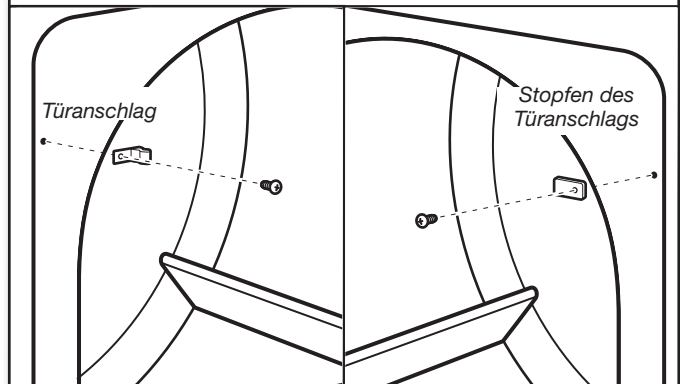
Drehen Sie die Tür so um, dass die Griffseite nach unten zeigt.

## 9. Bringen Sie die Türscharniere an



Befestigen Sie die Türscharniere jetzt so an der Trocknertür, dass sich die größere Öffnung unten am Scharnier befindet.

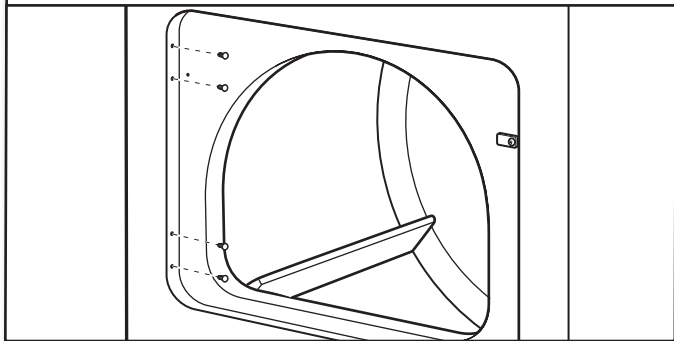
## 10. Lösen Sie den Stopfen des Türanschlags und den Türanschlag



Lösen Sie den Stopfen des Türanschlags und den Türanschlag vom Trocknergehäuse. Setzen Sie den Türanschlag in die Öffnung des Türanschlagstopfens und sichern Sie ihn mit der Schraube. Setzen Sie den Stopfen des Türanschlags in die ursprüngliche Türanschlagöffnung und sichern Sie ihn mit der Schraube.

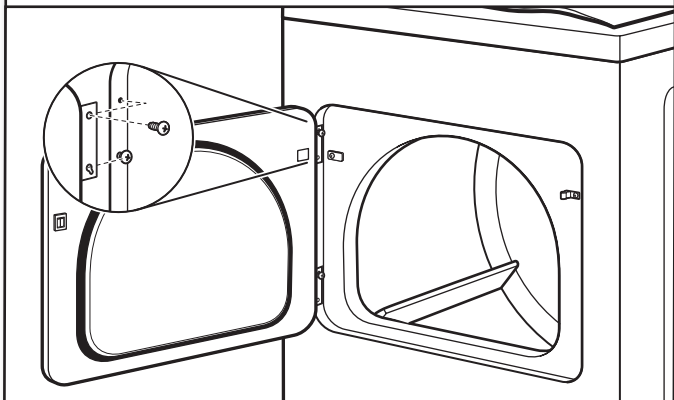


## 11. Entfernen Sie die Stopfen aus den Scharnieröffnungen



Entfernen Sie vorsichtig mit einem kleinen Schraubenzieher mit flacher Klinge die 4 Stopfen aus den Scharnieröffnungen auf der linken Seite des Trocknergehäuses. Versetzen Sie die Stopfen in die Scharnieröffnungen auf der gegenüber liegenden Seite des Trocknergehäuses.

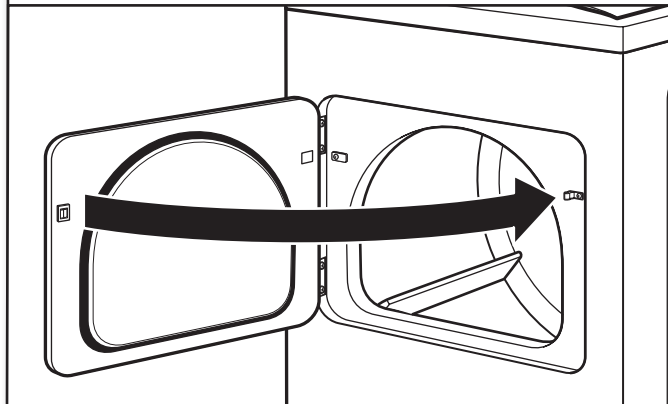
## 12. Setzen Sie die Schrauben in den Scharnieröffnungen am Trocknergehäuse ein



**HINWEIS:** Für das Einsetzen der Tür können zwei Personen erforderlich sein.

Setzen Sie die Schrauben in die unteren Öffnungen auf der linken Seite des Trocknergehäuses ein. Ziehen Sie die Schrauben erst nur halb an. Setzen Sie die Tür so auf, dass sich das große Ende der Türscharnierausparung über den Schrauben befindet. Schieben Sie die Tür so weit nach oben, dass sich die Schrauben im unteren Teil der Ausparungen befinden. Ziehen Sie die Schrauben jetzt fest. Setzen Sie die oberen Schrauben in den Scharnieren ein und ziehen Sie diese fest.

## 13. Prüfen Sie die Ausrichtung des Türanschlags



Schließen Sie die Tür und prüfen Sie, dass der Türanschlag korrekt auf den Türverriegelungshaken ausgerichtet ist. Bei Bedarf verschieben Sie den Türverriegelungshaken in der Ausparung für eine optimale Ausrichtung nach rechts oder nach links.

---

## FEHLERBEHEBUNG

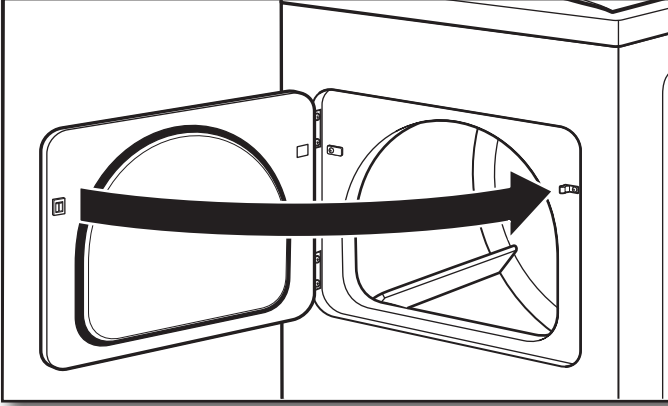
Um zunächst die Kosten für einen Kundendienstbesuch zu vermeiden, lesen Sie die Bedienungsanleitung und die Pflegeanleitung oder besuchen Sie unsere Webseite und lesen Sie unter "Häufig gestellte Fragen" nach.







### 13. افحص محاذاة ترباس الباب

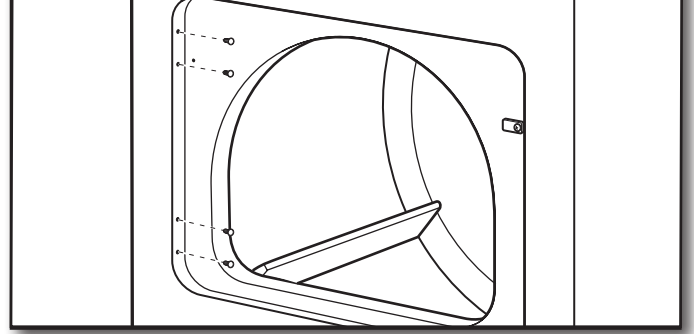


أغلق الباب، وتأكد أن الترباس محاذا لفتحته. إذا تطلب الأمر، أزلق الترباس لليسار أو اليمين داخل الفتحة لضبط المحاذاة.

### استكشاف الأخطاء وإصلاحها

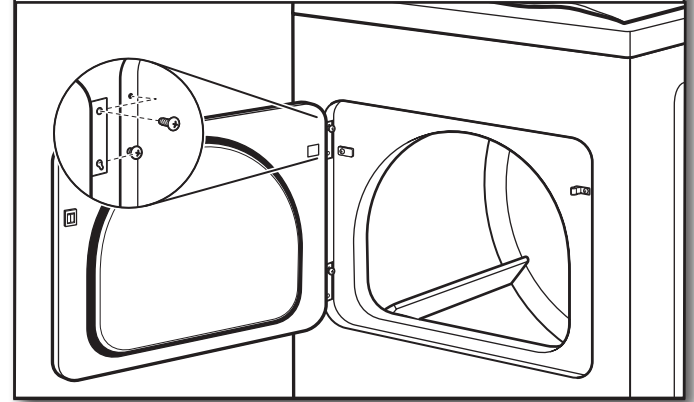
انظر دليل الاستخدام والصيانة أو زر موقعنا الإلكتروني والمرجع "الأسئلة الشائعة" للتعجب بقدر الإمكان تكلفة الاتصال بالصيانة.

### 11. فك سدادات فتحات المفصلات وانقلها



استخدم مفكا صغيرا مسطح النصل لإزالة 4 سدادات لفتحة المفصلات برفق من على الجانب الأيسر من خزانة المجفف. انقل السدادات إلى فتحات المفصلات على الجانب المعاكس لخزانة المجفف.

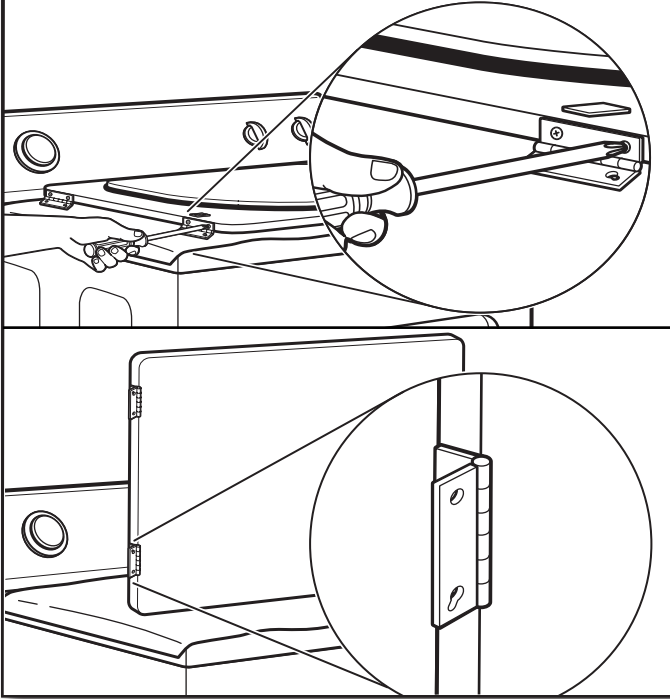
### 12. أدخل البرغي في فتحات المفصلات على خزانة المجفف



**ملاحظة:** قد تحتاج إعادة تركيب الباب إلى شخصين.

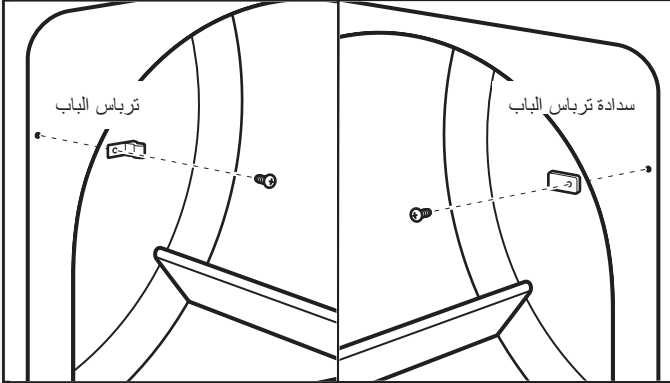
أدخل البرغي في الفتحات السفلية على الجانب الأيسر لخزانة المجفف. اربط البرغي للمنتصف. ضع الباب بحيث يكون الطرف الكبير من فتحة مفصلته فوق البرغي. أزلج الباب بحيث تكون البرغي في أسفل الفتحات. قم بتشديد البرغي. أدخل البرغي في المفصلات وأحكم ربطها.

## 9. ركب مفصلات الباب



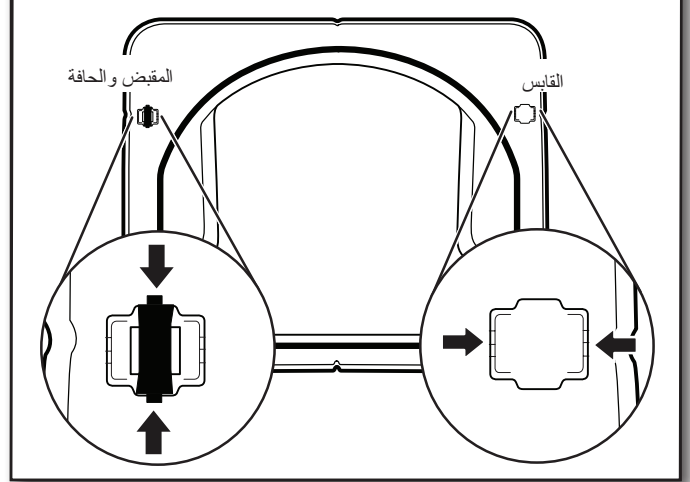
أعد تركيب مفصلات الباب على باب المجفف بحيث يصبح الجزء الأكبر من الفتحة في أسفل المفصلة.

## 10. أزل تريباس الباب وسدادة التريباس



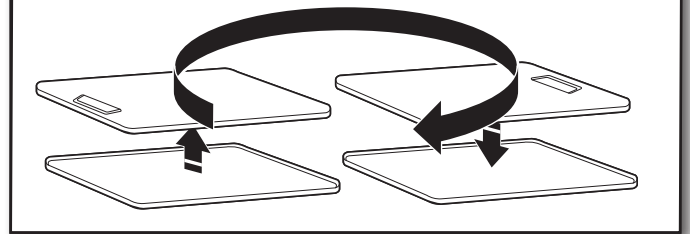
أزل تريباس الباب وسدادة التريباس من خزانة المجفف. أدخل تريباس الباب في فتحة سدادة التريباس، ثم اربط البراغي. أدخل سدادة التريباس في الفتحة الأصلية لها، ثم اربط البراغي.

## 6. حوّل مقبض الباب/الحواف والقابض



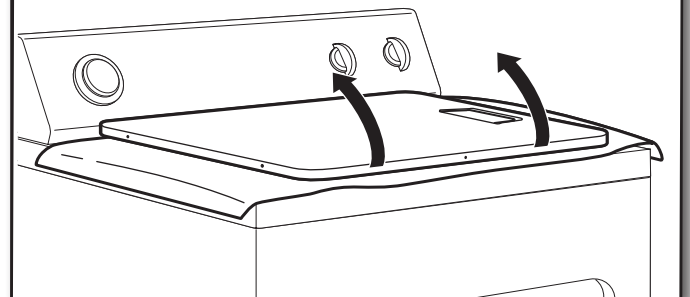
فك تريباس الباب والحاافة والسدادة من الجزء الداخلي للباب بالضغط والسحب/الدفع. ضع تريباس الباب والحاافة والسدادة على الجانب المعاكس الذي كان موجودا فيه.

## 7. أدر الباب الخارجي



لف الباب الخارجي بمقدار 180 درجة ثم اركنه على الباب الداخلي. أعد تركيب لوحة الباب الخارجي على لوحة الباب الداخلي بحيث تكون اليد على الجانب الذي تم منه فك المفصلات. أدخل 4 براغي للباب.

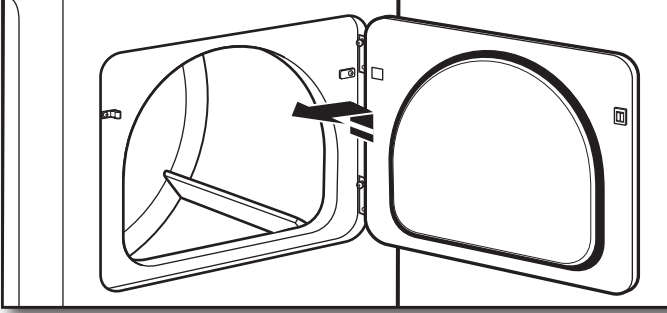
## 8. اعكس الباب



اعكس الباب بحيث يكون المقبض الجاني لأسفل.

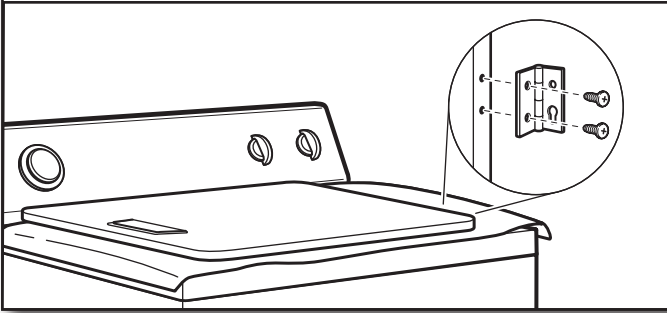


### 3. فك البراغي العلوية للباب



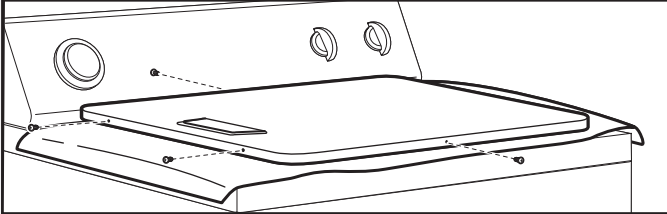
ارفع الباب حتى تصبح البراغي العلوية لخزانة المجفف في الجزء الأكبر من فتحة المفصلة. اسحب الباب للأمام بعيدا عن البراغي. اضبط الباب (المقبض الجانبي أعلى) على أعلى المجفف. فك البراغي العلوية من خزانة المجفف.

### 4. فك البراغي من المفصلات



أزل البراغي التي تربط المفصلات على الباب.

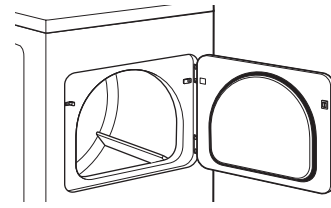
### 5. فك البراغي من الباب



فك البراغي في الأعلى، وجانب الباب (4 براغي) التي تحجز الباب الداخلي والخارجي سويا. امسك الباب بالفوطة على المجفف، اقبض على جوانب الباب الخارجي، ثم فصله عن الباب الداخلي. ضع الباب الخارجي جانبا.

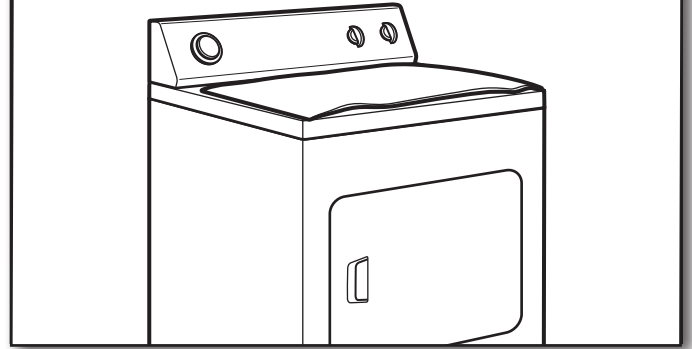
**ملاحظة:** لا ترفع جزئيا باستخدام سكين المعجون أو مفك. لا تسحب حشوة الباب أو الترياس المطاطي للباب.

### عكس تأرجح الباب (اختياري)



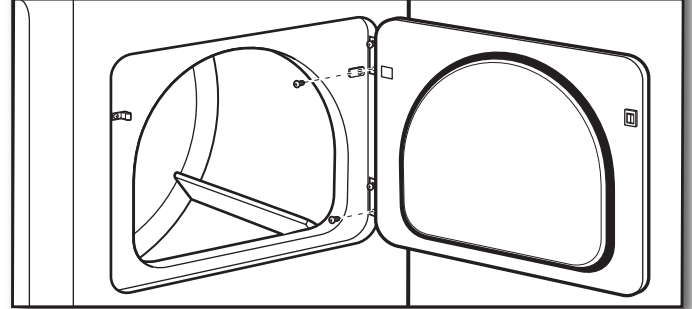
**ملاحظة:** سيكون استخدام مفك ممغنط مفيدا.

### 1. ضع فوطة على المجفف



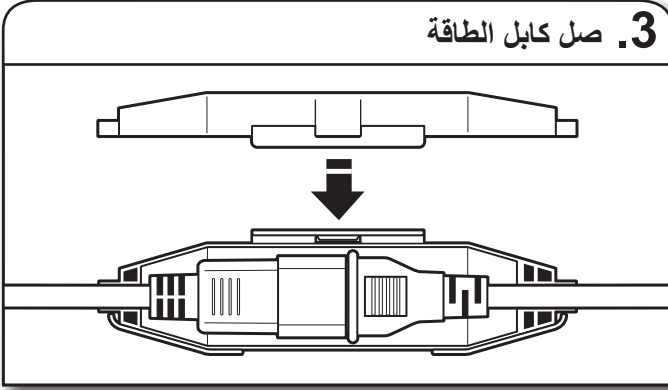
ضع فوطة على أعلى المجفف لتجنب إتلاف السطح.

### 2. فك البراغي السفلية



افتح باب المجفف. فك البراغي السفلية من جانب خزانة المجفف من المفصلات. أرخ البراغي العلوية (لا تفكها) من جانب خزانة المجفف من المفصلات.

### 3. صل كابل الطاقة



اربط كابل الطاقة بوضع التوصيل على قفل كابل الطاقة. ضع غطاء قفل كابل الطاقة، وادفعه حتى ينشك. تأكد أن وصلة كابل الطاقة موضوعة على قفل الكابل، وأن قفل الكابل ينشك بطريقة صحيحة.

صل كابل الإمداد بالطاقة في المأخذ المورض. صل إمداد الطاقة.

### أكمل القائمة المرجعية للتركيب

- تأكد أن جميع الأجزاء مثبتة الآن. إذا كان هناك جزء إضافي، راجع الخطوات لمعرفة الخطوات المتجاوزة.
  - تأكد أنك لديك جميع الأدوات.
  - تخلص من/أعد تدوير جميع مواد التعبئة والتغليف.
  - افحص الموقع النهائي للمجفف. وتأكد من عدم سحق المأخذ أو التوائه.
  - تأكد أن المجفف مستوي. انظر فقرة "تسوية المجفف".
  - أزل الغلاف من فوق لوحة التحكم وأي شريط متيق على المجفف.
  - امسح برميل المجفف تماما باستخدام قطعة قماش رطبة لإزالة أي غبار.
  - اقرأ فقرة "استخدام المجفف" في دليل الاستخدام والصيانة.
  - اضبط المجفف على دورة حرارة كاملة (وليس على دورة هواء) لمدة 20 دقيقة ثم ابدأ تشغيل المجفف.
- إذا لم يبدأ تشغيل المجفف، تأكد من الآتي:
- المجفف موصول بمأخذ تيار بـ 3 شوكات.
  - الإمداد الكهربائي موصول.
  - منصهر المنزل سليم ومحكم التوصيل أو قاطع الدائرة لم ينطلق.
  - باب المجفف مغلق.
  - عندما يكون المجفف في وضع التشغيل لمدة 5 دقائق، افتح باب المجفف، و استشرع الحرارة. إذا شعرت بسخونة، ألق الدورة، ثم أغلق باب المجفف.
  - إذا لم تشعر بسخونة، أطفئ المجفف، وافحص صمام غلق خط إمداد الغاز لمعرفة ما إذا كان الصمام مفتوحاً أم لا.
  - إذا كان صمام غلق خط إمداد الغاز مغلقاً، افتح ثم كرر الاختبار بعد 5 دقائق كما هو موضح أعلاه.
  - إذا كان صمام غلق خط إمداد الغاز مفتوحاً، اتصل بفني مؤهل.
- ملاحظة:** قد تلاحظ وجود رائحة عندما يسخن المجفف للمرة الأولى. هذا الرائحة أمر شائع عندما يتم تسخين عنصر الحرارة لأول مرة. سوف تختفي الرائحة بعد ذلك.

### تركيب كابل الطاقة

#### (في بعض الموديلات)

هام: يجب تنفيذ هذا الإجراء فقط بالاستعانة بفني الخدمة المعتمد من Whirlpool Corporation.

### تحذير



#### خطر الصدمة الكهربائية

أدخل القابس في مأخذ التيار.

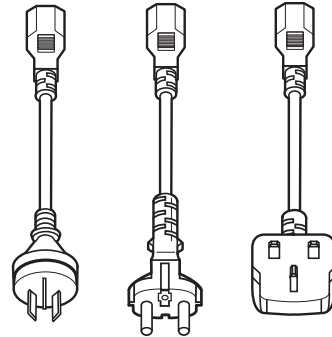
لا تقم بإزالة شوكة التيار.

تجنب استخدام مهايئ.

لا تستخدم سلك إطالة.

يمكن أن يؤدي عدم اتباع هذه التعليمات إلى الموت أو الحرق، أو الصدمة الكهربائية.

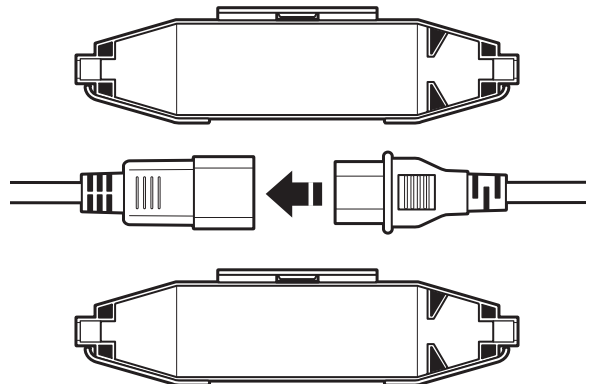
### 1. اختر القابس



اختر القابس المناسب لمأخذ التيار.

**ملاحظة:** سوف تختلف أنواع القوايس وعددها اعتماداً على الموديل.

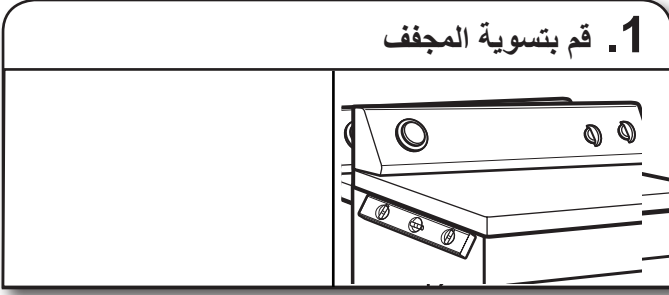
### 2. قم بتجميع القابس



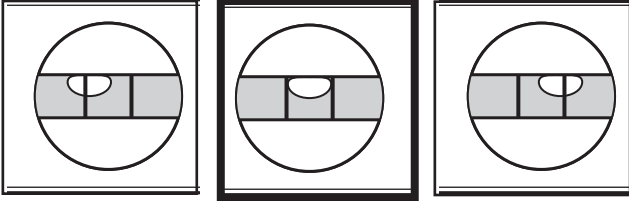
جمع القابس على طرف كابل الطاقة الموجود على ظهر المجفف.

## قم بتسوية المجفف

### 1. قم بتسوية المجفف



اضبط مستوى المجفف من جانب إلى جانب. كرر الإجراء من الأمام إلى الخلف.  
ملاحظة: يجب أن يكون المجفف مستويا لكي يعمل نظام حساس الرطوبة بطريقة صحيحة.

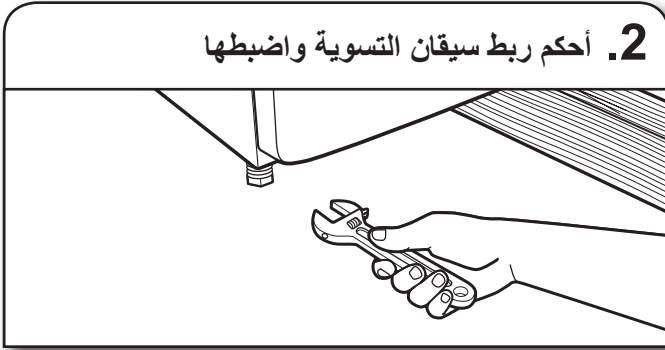


غير مستو

مستو

غير مستو

### 2. أحكم ربط سيقان التسوية واضبطها



إذا لم يكن المجفف مستويا أو بنفس ارتفاع الغسالة، ارفعه باستخدام كتلة خشبية. استخدم مفتاحا لتعديل السيقان أو خفضها، ثم افحص تسويتها مجددا. بمجرد تصبح السيقان مستوية، تأكد أن جميع السيقان مستقرة على الأرضية قبل إحكام ربطها.

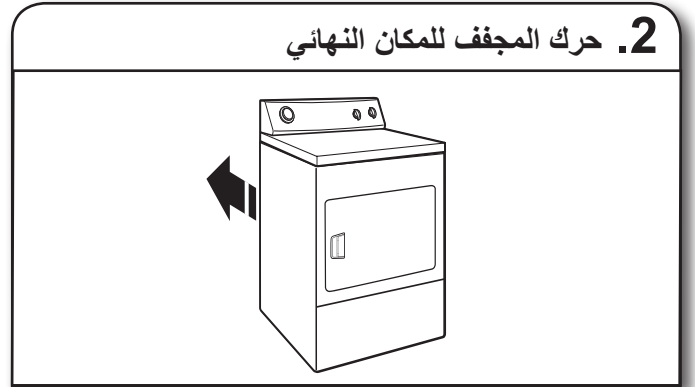
## صل المآخذ

### 1. صل المآخذ على مخرج التصريف



باستخدام مشبك 102 ملم ("4)، صل المآخذ بمخرج التصريف في المجفف. في حالة التوصيل بمآخذ موجود، تأكد أن المآخذ نظيف. يجب أن يستقر مآخذ المجفف فوق مخرج تصريف المجفف وداخل غطاء التصريف. تأكد أن المآخذ مربوط على غطاء التصريف بمشبك مقاس 102 ملم ("4).

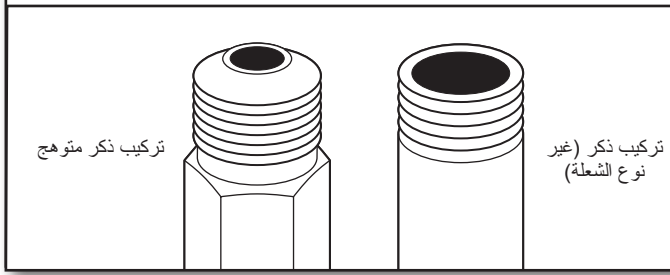
### 2. حرك المجفف للمكان النهائي



حرك المجفف للمكان النهائي. تجنب سحق أو لي المآخذ. عندما يكون المجفف في مكانه، أزل الدعامات الجانبية والورق المقوى من تحته.

## تنفيذ وصلة الغاز

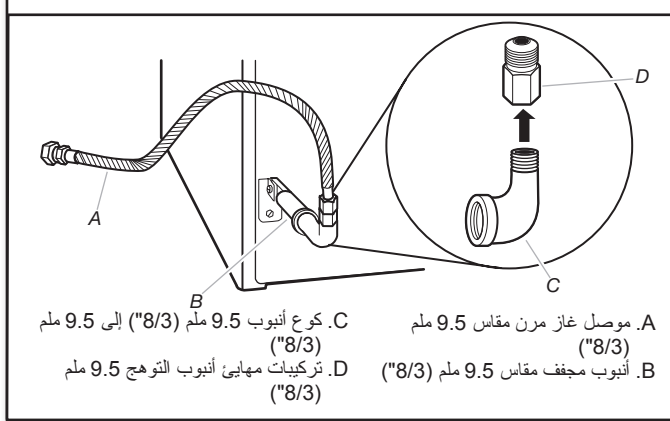
### 1. صل إمداد الغاز بالمجفف



أزل السدادة الحمراء من أنبوب الغاز. باستخدام مفتاح الربط، صل إمداد الغاز بالمجفف. استخدم مركب توصيل الوصلات على أسنان جميع التركيبات الذكر من غير نوع الشعلة. في حالة استخدام أنبوب معدني، تأكد أنه لا توجد أية التواءات.

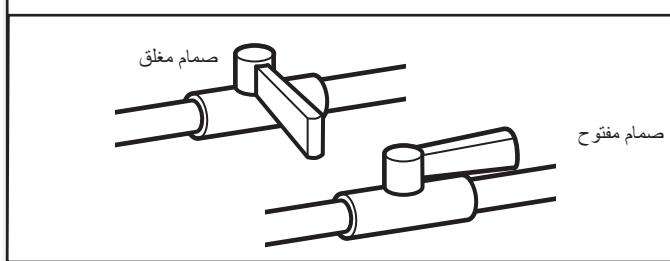
**ملاحظة:** بالنسبة لتوصيلات الغاز البترولي المسال، يجب عليك استخدام مركب توصيل وصلات الأنابيب المقاوم لتأثير الغاز البترولي المسال. لا تستخدم شريط التفلون®.

### 2. خطط توصيل تركيبات الأنابيب



يجب استخدام مجموعة من تركيبات الأنابيب لتوصيل المجفف على خط الغاز الموجود. إن التوصيل الموصى به معروض. قد يكون توصيلك مختلفا طبقا لنوع خط الإمداد والمقاس والموقع.

### 3. افتح صمام الغلق



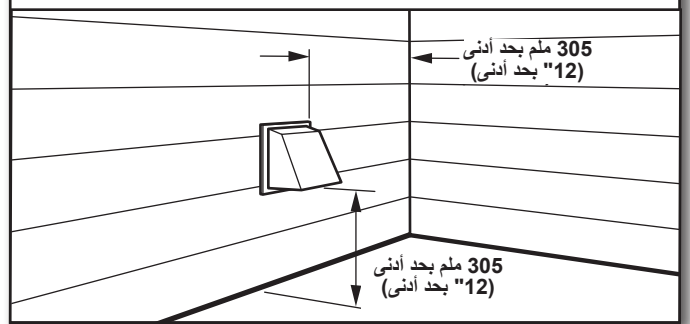
افتح صمام الغلق في خط الإمداد، الصمام مفتوح عندما تكون اليد موازية لأنبوب الغاز. ثم افحص جميع التوصيلات باستخدام محلول الكشف عن التسرب، ويجب أن يكون هذا المحلول معتمدا وغير مسببا للتآكل. الفقاعات سوف تظهر التسرب. أصلح أي تسرب موجود.

## مخطط نظام المأخذ (فقط الموديلات ذات المأخذ الطويل)

عدد الانحناءات بـ 90 درجة أو الكيعان	نوع المأخذ	أغطية صندوق/أفقية أو بزواوية
0	معدني صلب	36.6 م (120 قدم)
1	معدني صلب	33.5 م (110 قدم)
2	معدني صلب	30.5 م (100 قدم)
3	معدني صلب	27.4 م (90 قدم)
4	معدني صلب	24.4 م (80 قدم)
5	معدني صلب	21.3 م (70 قدم)

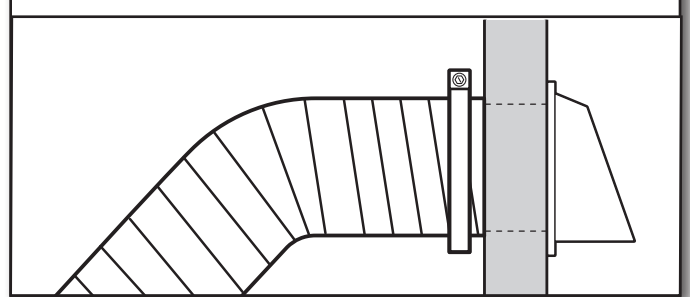
## ركب نظام المأخذ

### 1. ركب غطاء التصريف



ركب غطاء التصريف، واستخدم مركب منع التسرب لختم فتحة الجدار الخارجية حول غطاء التصريف.

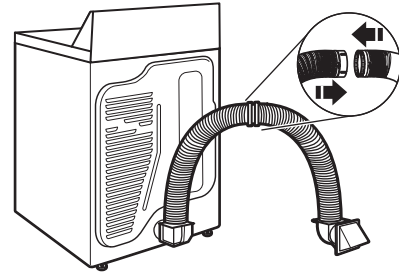
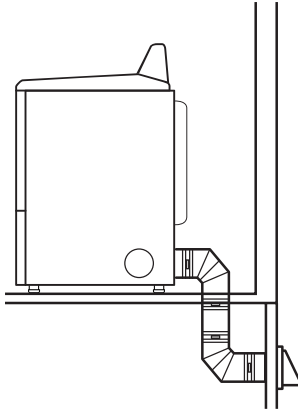
### 2. صل المأخذ على غطاء التصريف



المأخذ يجب أن يناسب غطاء التصريف. قم بربط المأخذ على غطاء التصريف بمشبك مقياس 102 ملم (4"). نفذ المأخذ إلى موقع المجفف باستخدام المسار الأكثر استقامة بقدر الإمكان. تجنب الانحناءات بزواوية 90 درجة. استخدم المشابك لمنع التسرب في جميع الوصلات. لا تستخدم شريط العزل المقوى أو البراغي أو أجهزة الربط الأخرى التي تمتد إلى داخل المأخذ لتأمينه حيث أنها هذه المواد قد تلتقط النسالة.

## انقل التركيبات بالتناوب في حالة الخلوص القريب.

إن أنظمة المآخذ متنوعة. اختر الفئة المناسبة للتركيب الملائم لك. يُعرض تركيبان بخلوص قريب. راجع إرشادات جهة التصنيع.



التركيب الفوقي (متاح أيضا بكوع واحد موازن)

### حدد مسار المآخذ:

- اختر الطريق الذي يوفر المسار المباشر الأكثر استقامة.
- خطط التركيب لاستخدام العدد الأقل من الكيكان والانحناءات.
- عند استخدام الكيكان أو عمل الانحناءات، اترك أكبر مسافة ممكنة.
- اثن المآخذ بالتدرج لتجنب الالتواء.
- استخدم بضع انحناءات بـ 90 درجة بقدر الإمكان.

### قرر طول المآخذ والكيكان المطلوبة للحصول على أفضل أداء للمجفف:

- استخدم "مخطط نظام المآخذ" لتقرير نوع مادة المآخذ ومجموعات الغطاء المقابلة للاستخدام.

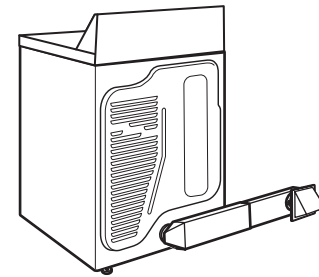
ملاحظة: لا تستخدم مجاري المآخذ الأطول من تلك المحددة في "مخطط نظام المآخذ". إن أنظمة التصريف الأطول من تلك المحددة سوف تؤدي إلى:

- تقصير عمر المجفف.
- خفض الأداء مما ينتج عنه أوقات تجفيف أطول واستخدام متزايد للطاقة.

يوفر "مخطط نظام المآخذ" متطلبات المآخذ التي سوف تساعد على تحقيق أفضل أداء للمجفف.

### مخطط نظام المآخذ

عدد الانحناءات بـ 90 درجة أو الكيكان	نوع المآخذ	أغطية صندوق/أفقية	شفاطات على شكل زاوية
0	معدني صلب	20 م (64 قدم)	17.7 م (58 قدم)
1	معدني صلب	16.5 م (54 قدم)	14.6 م (48 قدم)
2	معدني صلب	13.4 م (44 قدم)	11.6 م (38 قدم)
3	معدني صلب	10.7 م (35 قدم)	8.8 م (29 قدم)
4	معدني صلب	8.2 م (27 قدم)	6.4 م (21 قدم)



تركيب البيروسكوب

ملاحظة: إن المجموعات التالية للتركيبات المتناوبة ذات الخلوص القريب متاحة للشراء.

### مجموعات المآخذ

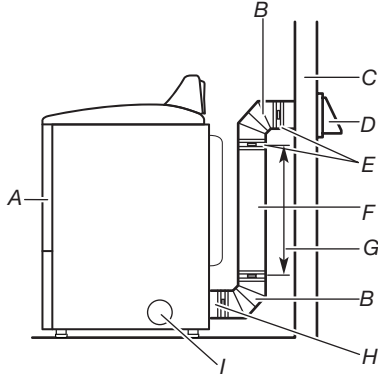
لمزيد من المعلومات، يُرجى زيارة [www.applianceaccessories.com](http://www.applianceaccessories.com) أو الاتصال بالتاجر الذي اشترىته منه المجفف أو الشركة المعتمدة للخدمة.

رقم القطعة	الوصف
8171587RP	0-5" مآخذ بيروسكوب معدني
4396037RP	0-18" مآخذ بيروسكوب معدني
4396011RP	18-29" مآخذ بيروسكوب معدني
4396014	29-50" مآخذ بيروسكوب معدني
4392892	بيروسكوب DuraVent™ معدني داخل الجدار
4396028	مجموعة مآخذ Sure Connect™ (التركيب الفوقي)
4396009RP	مآخذ 5' Universal connect، مآخذ مرن للمجفف
4396010RP	مآخذ 6' SecureConnect™، مآخذ مرن للمجفف
4396013RB	مجموعة جهة تركيب مآخذ المجفف
4396033RP	مآخذ مرن للمجفف 5' بمشابك
4396727RP	مآخذ مرن للمجفف 8' بمشابك
4396004	كوع موازن للمجفف
4396005	كوع موازن جداري
4396006RW	كوع غلق DuraSafe™
4396007RW	غطاء مآخذ عبر الجدار
4396008RP	مشابك مآخذ للمجفف فولاذي 4" - 2 حزمة
8212662	غطاء مآخذ أفقي للتركيب بنظام "Flush" 4"

## نظام فتحات المآخذ المخططة

### التركيبات الموصى بها للتصريف

تقوم التركيبات النمطية بتهوية المجفف من الخلف. هناك تركيبات أخرى محتملة.

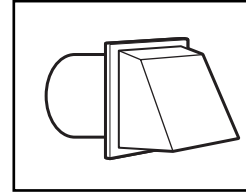


- A. المجفف  
B. كوع  
C. الجدار  
D. غطاء التصريف  
E. المشابك  
F. فتحات معدنية مرنة أو صلبة  
G. طول الفتحات الضروري لتوصيل الكيعان  
H. مخرج التصريف  
I. المنفذ الاختياري للتصريف

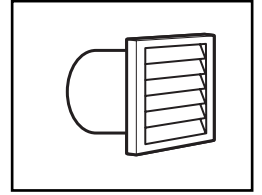
### أغطية التصريف:

- يجب أن تكون على الأقل بمسافة 305 ملم (12") من الأرض أو أي شيء آخر قد يسد التصريف (مثل الزهور أو الصخور أو الشجيرات أو الثلج).

### الأنماط الموصى بها:

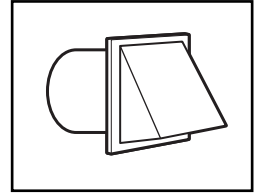


الشفاط على شكل صندوق



الشفاط الأفقي

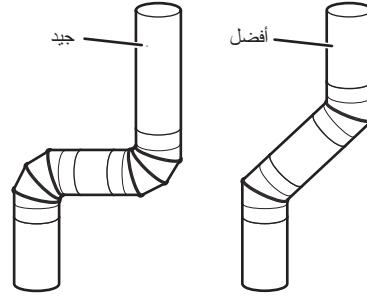
### النمط المقبول:



شفاط على شكل زاوية

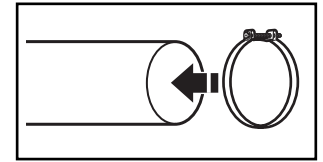
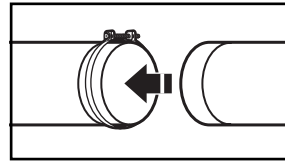
### الكيعان:

- توفر الكيعان مقاس 45 درجة تدفق أفضل للهواء من الكيعان مقاس 90 درجة.



### مشابك التثبيت:

- استخدم المشابك لمنع التسرب في جميع الوصلات.
- لا يجب توصيل فتحة التصريف أو ربطها ببراعي أو وسائل ربط أخرى يمكن أن تمتد إلى داخل الأنبوب وتلتقط النسالة. لا تستخدم شريط العزل المقوى.



## تحذير

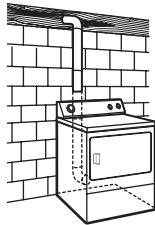


### خطر الحريق

غط فتحات العادم غير المستخدمة باستخدام طقم تغطية فتحات العادم الخاص بالشركة المصنعة.

اتصل بالوكيل المحلي.

يمكن أن يؤدي عدم اتباع هذه التعليمات إلى الموت أو نشوب الحريق، أو التعرض لصدمة كهربائية أو إصابة خطيرة.



تركيب التصريف الموازن الخلفي القياسي

يمكن أن تسبب التهوية غير المناسبة وجود الرطوبة، وتجمع النسالة في الأماكن الداخلية، وقد يؤدي ذلك إلى:

- إتلاف الرطوبة للأعمال الخشبية والأثاث والطلاء وورق الحائط والسجاد، إلخ.
- مشكلات في تنظيف المنزل ومشكلات صحية.

انظر فقرة "مجموعات فتحات المآخذ" لمعرفة المزيد من المعلومات.



## فتحات المآخذ

### متطلبات فتحات المآخذ

#### تحذير !

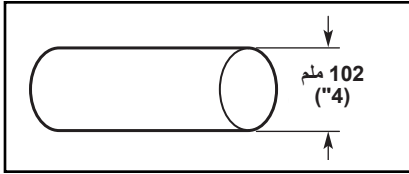


#### خطر الحريق

- استخدم مخرج عادم معدني ثقيل.
- لا تستخدم مخرج عادم بلاستيكي.
- لا تستخدم مخرج عادم رفائق معدنية.
- يمكن أن يؤدي عدم اتباع هذه التعليمات إلى الموت أو الحريق.

**تحذير:** لخفض خطر نشوب حريق، يجب أن يتجه تصريف هذا المجفف إلى الخارج.  
**هام:** راع جميع القواعد واللوائح السارية.

لا يجب توصيل تصريف المجفف إلى أي مأخذ للغاز أو مدخنة أو جدار أو سقف أو الغرفة العليا، أو مساحة الصيانة أو مساحة مخفية من المبنى. سوف يُستخدم فقط مأخذ معدني مرن أو صلب للتصريف.



مأخذ تصريف معدني ثقيل 102 ملم (4")

- يجوز فقط استخدام مأخذ تصريف معدني ثقيل بمقاس 102 ملم (4") ومشابك.
- لا تستخدم المآخذ البلاستيكي أو المغطى برفائق من المعدن.

#### مأخذ معدني صلب:

- موصى به للحصول على أفضل أداء في التجفيف ولتجنب السحق والالتواء.

#### مأخذ معدني مرن: (مقبول فقط إذا كان من السهل الوصول إليه لتنظيفه)

- يجب تمديده تماما وتدعيمه في الموقع النهائي للمجفف.
- أزل الكمية الزائدة لتجنب التسييل والالتواء الذي قد يؤدي إلى خفض تدفق الهواء وضعف الأداء.
- لا تركبه في جدران مغلقة أو على الأسقف أو على الأرضيات.
- لا يجب أن يتجاوز الطول الإجمالي 2.4 م (7<sup>3</sup>/<sub>4</sub> قدم).

**ملاحظة:** في حالة استخدام نظام فتحات موجود، نظف التسلالة في كامل طول النظام، وتأكد أن شفاط التصريف غير مسدود بالتسلالة. استبدل الفتحات البلاستيكية أو المعدنية بفتحات معدنية مرنة أو صلبة. راجع فقرة "مخطط نظام فتحات المآخذ"، وإذا تطلب الأمر، عدل النظام الموجود للفتحات لتحقيق أفضل أداء للجفاف.

## المتطلبات الكهربائية

### تحذير !



#### خطر الصدمة الكهربائية

- ادخل القابس في مأخذ التأسيس.
- لا تقم بإزالة شوكة التأسيس.
- تجنب استخدام مُهايئ.
- لا تستخدم سلك إطالة.
- يمكن أن يؤدي عدم اتباع هذه التعليمات إلى الموت أو الحريق، أو الصدمة الكهربائية.

مطلوب تيار متردد فقط 120 فولت، 60 هرتز، إمداد كهربائي مزود بمنصهر 15 أو 20 أمبير. ننصح باستخدام منصهر لتأخير الوقت أو قاطع دائرة لتأخير الوقت. يُنصح أيضا بتوفير دائرة منفصلة لتزويد المجفف فقط بالتيار.

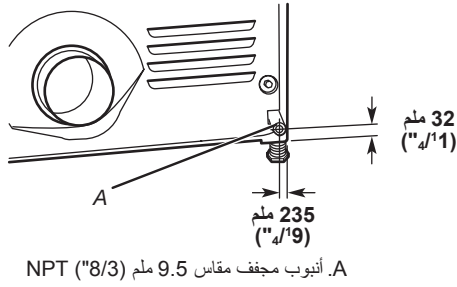
### تعليمات التأسيس

■ بالنسبة إلى المجفف المتصل بسلك تأسيس:  
يجب تأسيس هذا المجفف في حالة العطل أو الخلل، فإن التأسيس سوف يقلل خطر التعرض لصدمة كهربائية بتوفير مسار بمقاومة أقل للتيار الكهربائي. إن المجفف مجهز بسلك له موصل تأسيس للأجهزة وقابس تأسيس. يجب توصيل القابس بمأخذ التيار المناسب المثبت بطريقة مناسبة والمؤرض طبقاً للقواعد المحلية.

**تحذير:** إن التوصيل غير المناسب لموصل تأسيس الجهاز يمكن أن يسبب التعرض لصدمة كهربائية. راجع الفني المؤهل أو مقدم الخدمة أو فني الخدمة إذا ساورك الشك بشأن تأسيس المجفف أو عدمه. لا تعدل القابس المورد مع الجهاز: إذا لم يكن القابس ملائماً لمأخذ التيار، استعن بفني كهربائي مؤهل لتركيب مأخذ تيار مناسب.

#### احفظ هذه التعليمات

- إن أنبوب الغاز الذي يخرج من مؤخره المجفف له أنبوب بأسان ذكر مقاس 9.5 ملم ("8/3").



A. أنبوب مجفف مقاس 9.5 ملم ("8/3") NPT

### متطلبات دخل المشعل

الارتفاعات إلى 3,048 م (10,000 قدم):

- إن تصميم هذا المجفف معتمد من CSA International للاستخدام في ارتفاعات تصل إلى 3,048 م (10,000 قدم) فوق مستوى سطح البحر عند تقنين وحدة حرارية بريطانية على لوحة بيانات الموديل/الرقم التسلسلي. تعديلات مدخل المشعل غير مطلوبة عند تشغيل المجفف طبقاً لهذا الارتفاع.

الارتفاعات فوق 3,048 م (10,000 قدم):

- عند التركيب على ارتفاعات فوق 3,048 م (10,000 قدم)، يكون هناك خفض موضح في تقنين الوحدة البريطانية الحرارية بما يعادل 4% على لوحة بيانات الموديل/الرقم التسلسلي لكل زيادة ارتفاع تبلغ 305 م (1,000 قدم).

### اختبار ضغط إمداد الغاز

- يجب فصل المجفف عن نظام أنابيب إمداد الغاز أثناء اختبار الضغط في قيم ضغط أكبر من 352 كجم/م<sup>2</sup> (2/1 رطل لكل بوصة مربعة).

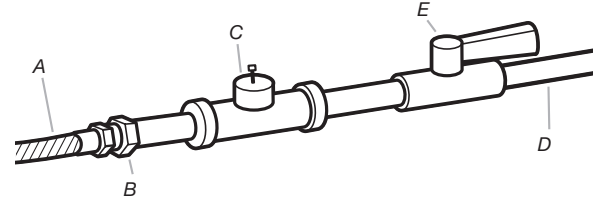
- نوصى باستخدام أنبوب NPT مقاس 13 ملم ("2/1").

- أنابيب بمقاس 9.5 ملم ("8/3") مقبولة للأطوال الأقل من 6.1 متر (20 قدم) إذا سمحت القوانين المحلية ومورد الغاز بذلك.

- يجب أن يشمل أنابيب توصيل بالحد الأدنى من المقاسات 3.2 ملم ("8/1") NPT التي يسهل الوصول إليها لتوصيل مقياس الاختبار مباشرة في منبع وصلة الغاز إلى المجفف (انظر الشكل).

- يجب أن تشمل صمام غلق.

- يجب أن يكون صمام الغلق في مكان يسهل الوصول إليه للفتح والغلق.



A. موصل غاز مرن مقاس 9.5 ملم ("8/3")  
B. أنبوب مقاس 9.5 ملم ("8/3") لتركيب مهائى توهج  
C. توصيل الحد الأدنى من الأنابيب مقاس 3.2 ملم ("8/1") NPT  
D. 13 خط إمداد الغاز مقاس 13 ملم ("2/1") NPT  
E. صمام غلق الغاز

### متطلبات توصيل إمداد الغاز

هناك طرق عديدة يمكن بها توصيل المجفف الذي يعمل بالغاز بمورد إمداد الغاز. فيما يلي نسرده بعض المبادئ التوجيهية لطريقتي توصيل مختلفتين.

يجب توصيل هذا المجفف بخط إمداد الغاز بموصل الغاز المرن المدرج الذي يمثل لمعيار الموصلات الخاصة بالأجهزة التي تعمل بالغاز CSA 6.10.

### الخيار 1 (الطريقة الموصى بها)

موصل غاز مرن من الفولاذ المقاوم للصدأ:

- إذا سمحت القوانين المحلية، استخدم موصل غاز جديد ومرن من الفولاذ المقاوم للصدأ (تصميم معتمد من CSA International) لتوصيل المجفف بخط صلب لإمداد الغاز. استخدم كوع وتركيب مهائى مقاس 9.5 ملم ("8/3") توهج 9.5 x 9.5 ملم ("8/3") NPT بين موصل الغاز المصنوع من الفولاذ المقاوم للصدأ وأنبوب الغاز في المجفف إذا تطلب الأمر لمنع الانواء.

### الخيار 2 (الطريقة البديلة)

أنبوب معتمد مصنوع من الألمنيوم أو النحاس:

- تستطيع الأطوال التي تزيد عن 6.1 م (20 قدم) استخدام أنبوب معتمد مقاس 9.5 ملم ("8/3") (إذا سمحت القوانين المحلية ومورد الغاز بذلك).
- إذا كنت تستخدم الغاز الطبيعي، لا تستخدم أنبوب النحاس.
- تركيب مهائى توهج مقاس 9.5 ملم ("8/3") x 9.5 ملم ("8/3") NPT بين أنبوب المجفف والأنبوب المعتمد مقاس 9.5 ملم ("8/3").
- يجب أن تستخدم الأطوال التي تزيد عن 6.1 م (20 قدم) أنابيب أكبر وتركيب مهائى بمقاس مختلف.
- إذا تم تحويل المجفف لاستخدام غاز البترول المسال، فيمكن استخدام أنبوب نحاسي متوافق مع البترول المسال مقاس 9.5 ملم ("8/3"). إذا كان الطول الإجمالي لخط التوريد أكثر من 6.1 م (20 قدم)، استخدم أنبوباً أكبر.

**ملاحظة:** يجب استخدام مركبات وصل الأنابيب التي تقاوم غاز البترول المسال. لا تستخدم شريط التفلون®.

## التوصيلات الكهربائية للمجفف الذي يعمل بالغاز

### متطلبات إمدادات الغاز

#### تحذير



#### خطر الانفجار

استخدم خط جديد لإمداد الغاز معتمد من CSA الدولية.

ركب صمام غلق.

اربط جميع وصلات الغاز بإحكام.

في حالة توصيل الجهاز بالغاز المسال يجب أن يتأكد فني مؤهل من عدم تجاوز ضغط الغاز 330 مم (13") عمود ماء.

تشمل أمثلة الفني المؤهل:

فني التدفئة المعتمد

فني الغاز المعتمد من شركة،

وفني الخدمة المعتمد.

يمكن أن يؤدي عدم القيام بذلك إلى الموت أو إلى الانفجار أو الحريق.

### نوع الغاز

#### الغاز الطبيعي:

هذا المجفف مصمم للعمل بالغاز الطبيعي. إنه مصمم ومعتمد من CSA International للغاز المسال (البروبان أو البيوتان) بتحويل مناسب.

■ يجب أن يحتوي المجفف على المشعل الصحيح لنوع الغاز في منزلك. توجد معلومات عن المشعل على لوحة البيانات على جدار باب المجفف.

#### تحويل غاز البترول المسال:

يجب أن يقوم بالتحويل فني مؤهل.

لا يجب القيام بأية محاولة لتحويل المجفف من الغاز المحدد على لوحة بيانات الموديل/الرقم التسلسلي للاستخدام مع غاز مختلف بدون استشارة مورد خدمة الغاز.

هام: تركيبات الغاز يجب أن تتطابق اللوائح والأنظمة المحلية.

## ركب سيقان التثبيت

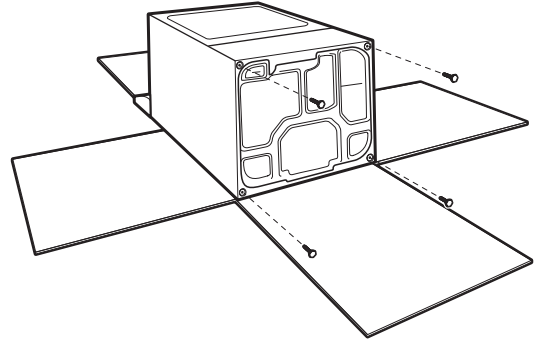
### تحذير

وزن زائد خطير

استخدم شخصين أو أكثر لتحريك وتثبيت المجفف.

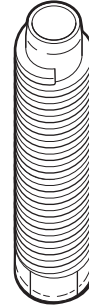
يمكن أن يؤدي عدم القيام بذلك إلى إصابة في الظهر أو أية إصابة أخرى.

### 1. جهاز المجفف بسيقان التسوية



لتجنب إتلاف الأرضية استخدم قطع كبيرة ومستوية من الورق المقوى من صندوق المجفف؛ ضعها تحت كامل الحافة الخلفية للمجفف. اقبض بإحكام على جسم المجفف (وليس على لوحة التحكم)، ثم ضع برفق المجفف على الورق المقوى.

### 2. اربط سيقان التسوية

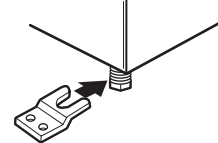


باستخدام مفتاح ومقياس شريطي، اربط السيقان في فتحات الساق حتى أسفل القدم بما يقرب من 13 مم (2/1") (لتناسب مع ارتفاع 0.102 م [3.6 قدم مكعبة]. سعة الغسالة) أو 38 مم (1 1/2") (لتناسب مع ارتفاع 0.108 م [3.8 قدم مكعبة]. سعة الورد) من أسفل المجفف.

والآن أوقف المجفف على سيقانه. أزلح المجفف حتى يصبح قريبا من مكانه النهائي. اترك مساحة كافية للتوصيلات الكهربائية ولتوصيل فتحة التصريف.

#### بالنسبة إلى الاستخدام في المنازل المتحركة

يجب ربط المجفف الذي يعمل بالغاز ربطا آمنا في الأرضية.



تتطلب التركيبات في المنزل المتقل طقم التثبيت للتركيبات في المنازل المتحركة. لمعرفة معلومات الطلب، فضلا راجع دليل الاستخدام والصيانة.

## خلوص التركيب لمنطقة الوصول أو الغرفة

الأبعاد المبينة هي المسافات الدنيا المسموح بها.

- يجب وضع المسافات الإضافية في الاعتبار لتسهيل التركيب والصيانة.
- قد يكون الخلوص الإضافي مطلوباً للجدار والباب وقواب الأرضيات.
- نوصي بتوفير مسافات إضافية تبلغ 25 ملم (1") على جميع جوانب المجفف لخفض انتقال الضجيج.
- بالنسبة إلى التركيب القريب من الباب تكون فتحات التهوية الدنيا في أعلى الباب وفي أسفله مطلوبة. إن الأبواب الأفقية بفتحات تهوية مكافئة مقبولة.
- يجب أيضاً وضع خلوص الجهاز المرافق في الاعتبار.

## المنزل المتنقل - متطلبات تركيب إضافية

- هذا المجفف مناسب للتركيب في المنازل المتنقلة. يجب أن يطابق التركيب اللوائح والأنظمة المحلية.
- عتاد نظام معدني للتصريف متوفر للشراء.
  - يجب عمل ترتيبات خاصة في المنازل المتنقلة لإدخال الهواء الخارجي في المجفف. يجب أن تكون الفتحة (مثل نافذة مجاورة) على الأقل ضعف حجم فتحة تصريف المجفف.

## توصيل المجفف بالكهرباء

### المتطلبات الكهربائية

## تحذير



فلطية خطيرة

هذا المجفف مورد بدون سلك كهربائي وبدون قابس. يجب أن يقوم فني كهرباء مؤهل بتوصيله بمصدر كهرباء أحادي المرحلة بالفلطية الموضحة على لوحة البيانات، باستخدام أسلاك مثبتة بطريقة مناسبة طبقاً للقواعد واللوائح المحلية والوطنية.

- يجب استخدام كابل بـ 3 أسلاك بحجم موصل أدنى يبلغ مقطعه 4 مم<sup>2</sup>.
- يجب استخدام منصهر إمداد بقدرة 30 أمبير، ومفتاح له فصل للتلامس على كلا القطبين والذي يوفر الفصل الكامل عند الفلطية الزائدة من الفئة الثالثة ويجب دمجها في توصيلات الأسلاك الثابتة طبقاً للوائح المحلية لتوصيل الأسلاك. يجب وضع المجفف بحيث يكون مفتاح الفصل مرئياً بوضوح، ويستطيع المستخدم الوصول إليه بسهولة. يوفر مفتاح الفصل هذا أيضاً للمستخدم وظيفة التحكم من أجل التوقف عند الطوارئ.
- توفر جلبة شبك للسلك على المجفف، ويجب إحكام ربطها عند إكمال توصيل الأسلاك. توجد أطراف توصيل التيار الكهربائي تحت لوحة الوصول السفلية الصغيرة (غطاء كتلة الطرف)، ويجب عمل التوصيلات طبقاً لعلامات أطراف التوصيل. تذكر استبدال لوحة الوصول الطرفية (غطاء كتلة الأطراف).

**ملاحظة:** طبقاً لتوجيه EMC الأوروبي (EC/2004/108)، من المقرر أن تكون معاوقة نظام إمداد الكهرباء القصوى الذي سوف يتم توصيل المجفف به بقيمة 0.054 أوم + 0.034 أوم.

**ملاحظة:** معايير السلامة من الكهرباء: لقد اختارت الشركة المصنعة الامتثال للمعايير IEC/EN.60335 على أنها المعايير الأكثر ملاءمة لهذا المنتج.

## تحذير



### خطر حدوث صدمة كهربائية

هذا جهاز يعمل بـ 3 أسلاك ويجب أن يُورض.

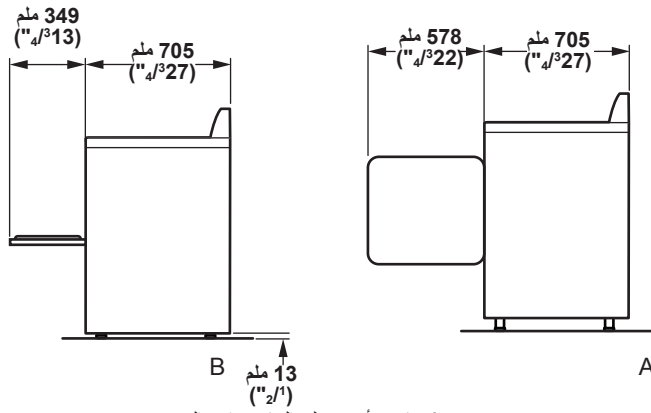
لا تُورض الجهاز باستخدام أنبوب الغاز.

يمكن أن يؤدي عدم اتباع هذه التعليمات إلى الموت أو الحرق، أو إصابة خطيرة.

إذا سمحت القوانين وفي حالة استخدام وصلة تأريض إضافية، يُنصح بأن يقرر فني الكهرباء المؤهل ما إذا كان مسار توصيل التأريض كافياً.

### طريقة التأريض الموصى بها

أنت تتحمل مسؤولية الاتصال بجهة تركيب مؤهلة لتوصيلات الكهرباء لضمان تركيبات كهربائية كافية وطبقاً للقواعد واللوائح المحلية.



A. باب متأرجح على الجانب واسع الفتح  
B. باب مائل واسع الفتح

- دائرة منفصلة بقدرة 30 أمبير للمجففات التي تعمل بالكهرباء.
- دائرة منفصلة بقدرة 15 أو 20 أمبير للمجففات التي تعمل بالغاز.
- إذا كنت تستخدم سلك إمداد الطاقة استخدم مأخذ كهربائي مؤرض موجود على بعد 610 ملم (2 قدم) من جانب المجفف. انظر "المتطلبات الكهربائية".
- أرضية ثابتة لتدعيم المجفف ووزن إجمالي يبلغ 90.7 كجم (المجفف + الحمولة). (200 رطل). يجب وضع الوزن المشترك للجهاز المرافق أيضا.
- مستوى الأرضية بميل أقصى يبلغ 25 ملم (1") تحت المجفف. إذا كان الميل أعلى من 25 ملم (1")، ركب طقم أقدام المجفف الممتدة، رقم القطعة 279810. إذا كان المجفف غير مستو، فإن الملابس قد لا تدور جيدا، وقد لا تعمل دورات المستشعر الأوتوماتيكي بطريقة صحيحة.

لا تشغل المجفف في درجات حرارة تقل عن 7 درجات مئوية (45 فهرنهايت). في درجات الحرارة الأكثر انخفاضا، قد لا ينطفئ المجفف في نهاية الدورة الأوتوماتيكية. يمكن تمديد أوقات التجفيف.

يجب أن لا يتم تركيب المجفف أو تخزينه في منطقة معرضة للماء أو العوامل الجوية.

افحص متطلبات الرمز. بعض القوانين تحد أو لا تسمح بتركيب المجفف في الكراجات أو دورات المياه أو المنازل المتقلة أو عنابر النوم. اتصل بجهة الفحص المحلية في المبنى.

ملاحظة: لا يمكن تركيب جهاز آخر يعمل بالوقود في نفس المكان كمجفف.

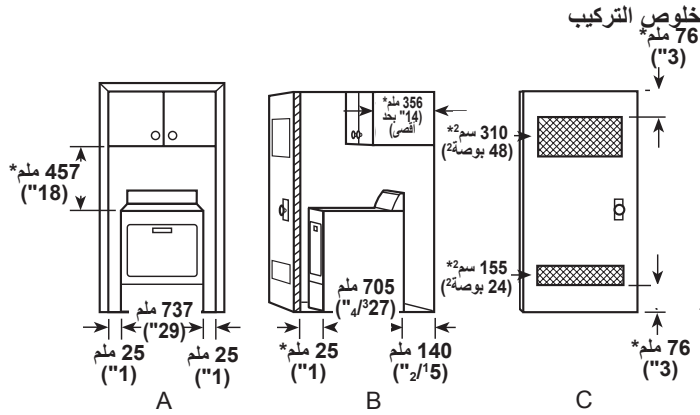
### خلوص التركيب:

يجب أن يكون المكان كبيرا بما يكفي للسماح لباب المجفف بأن يفتح بالكامل.

لا يجب تركيب الجهاز خلف باب قابل للقفل أو باب منزلق أو باب مفصلي في الجانب المقابل للتجفيف بحيث يمكن فتح باب الجهاز عن أخره بحرية دون أن يعوقه أي شيء.

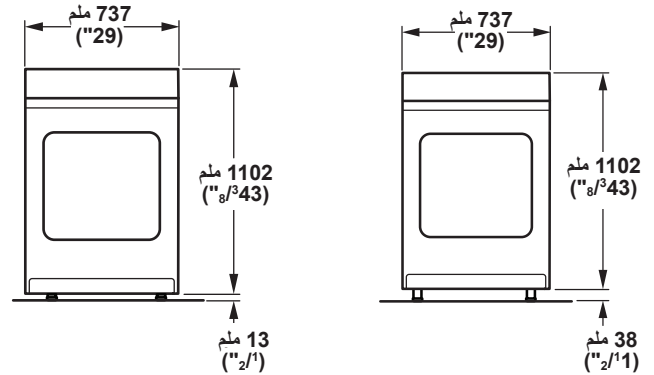
تتطلب معظم التركيبات الحد الأدنى من الخلوص البالغ 140 ملم (15/2"). انظر "متطلبات المآخذ".

### أبعاد المجفف



A. منطقة الوصول  
B. منظر جانبي - منطقة حبيسة أو حجرة  
C. باب حجرة بفتحات

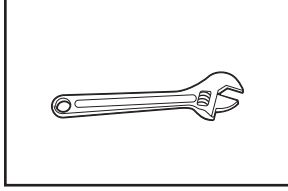
\*الخلوص المطلوب



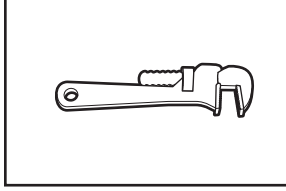
ملاحظة: يجب أن تكون سيقان التسوية بمقاس 13 ملم (2/1") (لتناسب مع ارتفاع يبلغ 0.102 م [3.6 قدم مكعبة] ساعة الغسالة) أو 38 ملم (2/1") (لتناسب مع ارتفاع يبلغ 0.108 م [3.8 قدم مكعبة] ساعة الغسالة).

## متطلبات التركيب

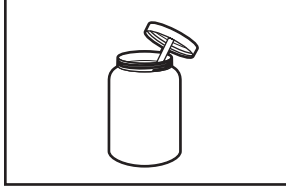
### الأدوات المطلوبة لتركيبات الغاز:



مفتاح قابل للتعديل 203 ملم أو 254 ملم ("8" أو "10") (لتوصيلات الغاز)

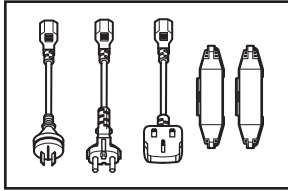


مفتاح أنابيب 203 ملم أو 254 ملم ("8" أو "10")

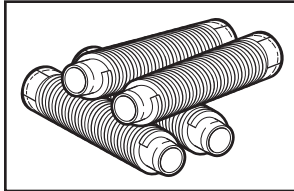


مركب وصلات الأنابيب مقاوم لغاز البترول المسال

### الأجزاء المرفقة مع الجهاز:



قوابس وغطاء مزود بقلل للحبل (مورد مع بعض الموديلات فقط)



أقدام تنسوية (4)

حزمة القطع موجودة في برميل المجفف. افحص جميع الأجزاء المشمولة في الحزمة.

### الأجزاء المطلوبة:

راجع القوانين المحلية. افحص إمدادات التيار الكهربائي الموجود والفتحات. راجع فقرتي "المتطلبات الكهربائية" و"المآخذ" قبل شراء الأجزاء.

افحص متطلبات الرمز. بعض القوانين تحد أو لا تسمح بتركيب المجفف في الكراجات أو دورات المياه أو المنازل المتقلة أو عابري النوم. اتصل بجهة الفحص المحلية في المبنى.

### معدة اختيارية: (غير موردة مع المجفف)

راجع دليل الاستخدام والصيانة لمعرفة معلومات عن الملحقات المتوفرة مع المجفف.

## متطلبات الموقع

### تحذير



### خطر الانفجار

حافظ على المواد والأبخرة القابلة للاشتعال مثل البنزين بعيدة عن المجفف.

لا تقم بتركيب المنتج في الكراج.

يمكن أن يؤدي عدم القيام بذلك إلى الموت أو إلى الانفجار أو الحريق.

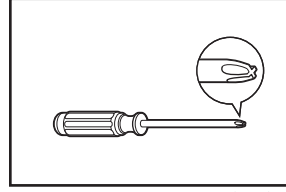
سوف تحتاج إلى:

■ مكان يسمح بالتركيب بحيث يتوفر تصريف مناسب. انظر "متطلبات المآخذ".

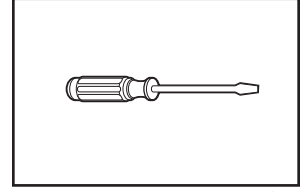
## الأدوات والأجزاء

اجمع الأدوات والأجزاء المطلوبة قبل بدء التركيب.

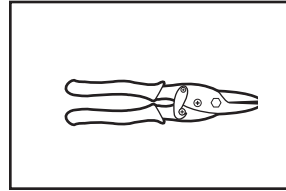
### الأدوات المطلوبة لجميع التركيبات:



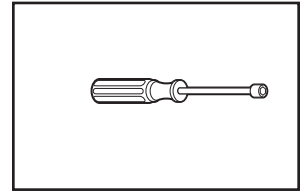
مفك فيليبس #2



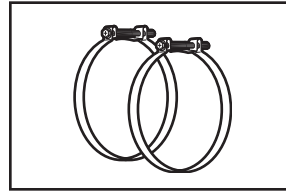
مفك عادي



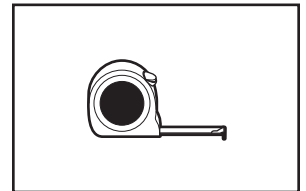
مقص الصفيح (لتركيبات الجديدة للفتحات)



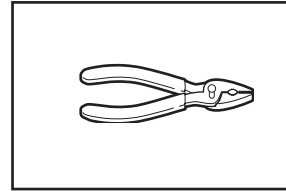
مفك صامولة 6 ملم (4/1") أو مفتاح شقاعة (موصى به)



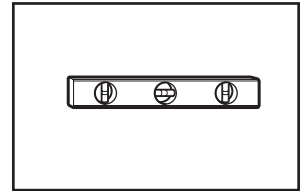
مشابك الفتحات



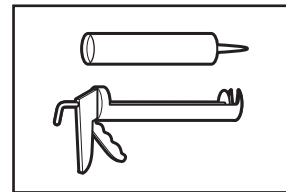
شريط قياس



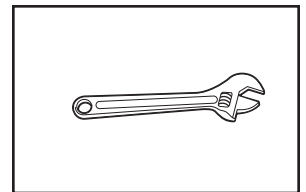
زرادية



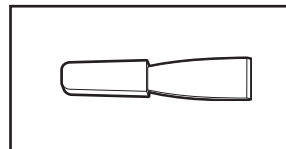
المستوى



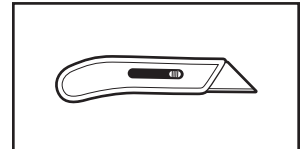
مسدس منع التسرب أو مركب (لتركيب فتحة تصريف جديدة)



مفتاح قابل للتعديل يفتح على 25 ملم ("1" أو مفتاح شقاعة مسدس الرأس)



سكين معجون



قاطع



تم رسم هذا الجهاز وفق التوجيه الأوروبي EU/2012/19، والتوجيه الخاص بنفايات المعدات الكهربائية والإلكترونية (WEEE). إن حرصك على التخلص من هذا المنتج بشكل صحيح يساهم في تجنب التبعات السلبية الممكنة على البيئة وصحة الإنسان، والتي قد تتجم مع هذا المنتج بصورة غير صحيحة عند التخلص منه ضمن النفايات. يشير الرمز الموجود على المنتج إلى عدم إمكانية التخلص من هذا الجهاز كنفاية منزلية. وبدلاً من ذلك، يمكن تسليمه إلى نقطة تجميع الأجهزة لإعادة تدوير الأجهزة الكهربائية والإلكترونية. يجب التخلص من المنتج طبقاً للوائح البيئية المحلية الخاصة بالتخلص من النفايات. للحصول على المزيد من المعلومات حول معالجة المنتج واستعادته وإعادة تدويره، الرجاء الاتصال بمكتب المدينة المحلي أو خدمة التخلص من النفايات المنزلية أو المتجر الذي قمت بشراء هذا المنتج منه.

#### إرشادات هامة للسلامة

عند تكهين مجفف الملابس القديمة أو تخزينه فضلاً عن إزالة الباب.

احفظ هذه التعليمات

## المواصفات

استطاعة الكتان الجاف:
15 كغ (33 ليبرة)
سعة IEC
7 كغ (15 ليبرة)

تُباع هذه الوحدات في مناطق متعددة ذات متطلبات مختلفة من حيث استطاعة القياس. وفيما يلي بعض من أشكال القياس الصالحة المبينة على هذا المنتج:

استطاعة الكتان الجاف: وهو مقياس الوزن الذي يبين حجم الحمولة الأقصى الذي يمكن تحميله في المجفف.

سعة IEC: إجراءات السعة التي تمثل السعة القصوى للكتان الجاف والمنسوجات التي تعلنها الشركة المصنعة يمكن التعامل معها بدورة خاصة.



## حفاظا على سلامتك

1. لا تستخدم البنزين أو المواد سريعة الاشتعال أو تخزينها في هذا الجهاز أو بالقرب منه.
2. لا ترش الرذاذ (الأيروسول) بالقرب من هذا الجهاز أثناء تشغيله.
3. لا تعدل هذا الجهاز.

## إرشادات هامة للسلامة

**تحذير:** للحد من خطر نشوب حريق أو وقوع صدمات كهربائية أو إصابة الأفراد عند استعمال المجفف، اتبع هذه الاحتياطات الأساسية التي تتضمن ما يلي:

- احرص على قراءة جميع الإرشادات قبل استعمال المجفف.
  - اترك الحد الأدنى من الخلوص البالغ 100 ملم (4 بوصات) بين مؤخرة المجفف وأي جدار.
  - قد يؤثر تشغيل هذا المجفف على تشغيل الأنواع الأخرى من الأجهزة والتي تأخذ إمداد هوائها للتشغيل الآمن من نفس الغرفة. يجب أن تكون هناك تهوية كافية لتحل محل الهواء المستنفذ، وبالتالي تجنب التدفق الراجع للغازات إلى الغرفة من الأجهزة التي تحرق أنواع الوقود الأخرى، بما في ذلك السلة للهب المكشوف، عند تشغيل المجفف الدوار. إذا ساورك الشك، تشاور مع الشركة المصنعة للجهاز.
  - لا تسد امدادات الهواء إلى المجفف (انظر تعليمات التركيب بالحد الأدنى من الخلوص).
  - لا تضع الأشياء المعرضة لزيوت الطبخ في المجفف. إن الأشياء التي تتضرر بفعل الزيت يمكن أن تشتعل تلقائياً، خاصة عند التعرض لمصادر الحرارة كما هو الحال في المجفف الدوار. حيث تصبح العناصر دافئة مما يتسبب في حدوث تفاعل أكسدة للزيت. ومن شأن ذلك توليد حرارة. وفي حالة عدم تصريف هذه الحرارة والتخلص منها، فربما تصبح العناصر ساخنة بما يكفي لاشتعالها. كما يمكن أن يؤدي تراكم أو تجمع أو تخزين العناصر المتأثرة بالزيت إلى عدم انبعاث الحرارة ومن ثم نشوب حريق.
  - إذا كان لا مفر من تجفيف الأشياء المتسخة بمواد مثل زيت الطهي، والأسيتون والكحول والبنزين والكبروسين ومزيلات البقع، زيت الترينتين، والشمع ومزيلات الشمع، أو التي تلوئت بمنتجات العناية بالشعر في المجفف، فيجب غسلها بالماء الساخن بكمية إضافية من المنظفات قبل أن تجفف في المجفف. قد ينبعث من هذه الأشياء أبخرة يمكن أن تشتعل أو تنفجر. ومثل هذا الغسيل سوف يحد من المخاطر ولكن لن يزيلها تماماً.
  - هذا الجهاز غير مصمم للاستخدام من قبل الأشخاص (بما في ذلك الأطفال الأقل من عمر 8 سنوات) من ذوي القدرات البدنية أو الحسية أو العقلية المحدودة، أو محدودي الخبرة والمعرفة، ما لم يكن ذلك تحت إشراف أو توجيه خاص باستخدام الجهاز على يد شخص يكون مسؤولاً عن سلامتهم.
  - يجب أن تخضع أعمال التنظيف وصيانة المستخدم التي يجريها الأطفال إلى المراقبة والإشراف.
  - يجب الإشراف على الأطفال للتأكد أنهم لا يعيثون بالجهاز.
  - يجب أن يبتعد الأطفال الأقل من عمر 3 سنوات عن الجهاز ما لم يتلقوا الإشراف ويخضعوا للمراقبة باستمرار.
  - يجب ألا يُستخدم المجفف في حالة استخدام مواد كيميائية صناعية للتنظيف.
- أزل كافة الأشياء من الجيوب، مثل الولايات والثقاب، قبل وضع الملابس في المجفف.
  - قبل إزالة المجفف من الخدمة أو التخلص منه، قم بفك بابه أو غطاءه.
  - لا تضع يديك داخل المجفف أثناء تحرك برميله. جُهِز مفتاح للباب حفاظاً على سلامتك.
  - لا تركب المجفف أو تخزنه في مكان يتعرض فيه إلى ظروف الطقس.
  - لا تعبث بمفاتيح التحكم.
  - لا تواصل استخدام هذا الجهاز إذا بدت عليه آثار العطل أو الخلل.
  - لا تقم بإصلاح أو استبدال أي جزء من أجزاء الجهاز أو تحاول صيانتها ما لم ينص دليل الاستخدام والصيانة على ذلك بالتحديد. يجب أن ينفذ الإصلاحات والصيانة فقط في خدمة مؤهل.
  - لا تستخدم منعمات الألياف أو منتجات أخرى لإزالة الكهرباء الساكنة إلا إذا أوصت الشركة المصنعة بمنعم الألياف أو منتج معين. اتبع الإرشادات.
  - نظف مرشح النسالة في المجفف قبل وضع كل حمولة. لا تشغل المجفف بدون وضع مرشح النسالة في مكانه.
  - حافظ على المنطقة المحيطة بفتحات التصريف والسحب والمناطق المحيطة بهما خالية من تراكم النسالة والغبار والأوساخ.
  - يجب تنظيف الجزء الداخلي من المجفف وفتحة التصريف دورياً بالاستعانة بفتحة خدمة مؤهل.
  - انظر تعليمات التركيب لمعرفة متطلبات التأريض.
  - تجنب تجفيف الأشياء غير المغسولة في هذا المجفف.
  - يعمل الجزء النهائي من دورة المجفف دون استخدام حرارة (دورة تبريد) لضمان ترك العناصر في درجة حرارة تضمن عدم تعرض العناصر للتلوث.
  - يجب تجفيف عناصر مثل المطاط الإسفنجي (الفوم اللاتكس) أو قيعات الاستحمام أو الأقمشة المضادة للماء أو العناصر والملابس المدعومة بالمطاط أو الوسائد المزودة بحشو من المطاط الإسفنجي فقط على حبل الغسيل.
  - في حالة تلف سلك الإمداد الكهربائي، يجب استبداله من قبل الشركة المصنعة أو وكيل الصيانة التابع لها أو أي شخص مؤهل آخر لتفادي التعرض للخطر.
- تحذير:** تجنب إيقاف المجفف قبل نهاية دورة التجفيف، ما لم يتم إخراج كافة العناصر وفردها بسرعة حتى تنتشت الحرارة.

## احفظ هذه التعليمات

## سلامة المجفف

سلامتك وسلامة الآخرين مهمة جدا.

قدمنا العديد من رسائل السلامة الهامة في هذا الدليل وعلى الجهاز الخاص بك. اقرأ دائما وأطع جميع رسائل السلامة.

هذا هو رمز تنبيه السلامة.

هذا الرمز ينبهك إلى المخاطر المحتملة التي يمكن أن تقتل أو تضرك أو تضر غيرك. سوف يتبع كل رسائل السلامة رمز التنبيه للسلامة أو كلمة "خطر" أو "تحذير". هذه الكلمات تعني:



قد تقتل أو تصاب إصابة خطيرة إذا لم تتبع فورا التعليمات.



خطر

قد تقتل أو تصاب إصابة خطيرة إذا لم تتبع التعليمات.



تحذير

كل رسائل السلامة سوف تخبركم ما هو الخطر المحتمل. وتخبركم عن كيفية تقليل احتمال الإصابة. وتخبركم ماذا يمكن يحدث إذا لم يتم اتباع الإرشادات.

## تحذير - "خطر الحريق"



- يجب إجراء تثبيت مجفف الملابس بواسطة فني تركيب مؤهل.
- قم بتثبيت مجفف الملابس وفقا لتعليمات الشركة المصنعة والقوانين المحلية.
- لا تقم بتثبيت مجفف الملابس باستخدام أنبوب تهوية من مواد بلاستيكية مرنة أو مواد معدنية مرنة (من نوع الرقائق). إذا تم تثبيت أنبوب معدني مرن، يجب أن يكون من نوع معين يتم تحديده من قبل الشركة المصنعة للجهاز على أنه مناسب للاستخدام مع مجففات الملابس. مواد التهوية المرنة مشتهرة بالانهيار، ويمكن أن تتصدع بسهولة، وتحبس الوبير. هذه الشروط سوف تعوق تدفق هواء مجفف الملابس وتزيد من خطر الحريق.
- للحد من خطر الإصابة الشديدة أو الموت، اتبع جميع تعليمات التثبيت.
- احتفظ بهذه التعليمات.

## تنبيه - خطر الحريق/ مواد قابلة للاشتعال

يعد هذا رمز تنبيه سلامة إضافي ينبهك إلى خطر الحريق.



تحذير

خطر الحريق

- عدم اتباع تحذيرات السلامة بحذافيتها من شأنه أن يؤدي إلى وقوع إصابات خطيرة أو وفاة أو أضرار في الممتلكات.
- لا تقم بتثبيت مروحة معززة في أنبوب العادم.
- قم بتثبيت جميع مجففات الملابس وفقا لتعليمات التثبيت المقدمة من الشركة المصنعة للمجفف.

# تعليمات تركيب المجفف الموديلات العريضة 737 ملم (29") - التي تعمل بالغاز والكهرباء

## جدول المحتويات

13.....	تنفيذ وصلة الغاز	2.....	سلامة المجفف
14.....	صل المأخذ	4.....	المواصفات
14.....	قم بتسوية المجفف	5.....	متطلبات التركيب
15.....	تركيب كابل الطاقة	7.....	توصيل المجفف بالكهرباء
15.....	أكمل القائمة المرجعية للتركيب	8.....	ركب سيقان التثبيت
16.....	عكس تأرجح الباب (اختياري)	8.....	التوصيلات الكهربائية للمجفف الذي يعمل بالغاز
18.....	استكشاف الأخطاء وإصلاحها	10.....	فتحات المأخذ