



Service Information

3LWED4815FW

8512 996 01250

Last Modification: 07/12/17

Creation Date: 25/11/17

Spare Part List	2
Exploded View	4
Circuit Diagram	7

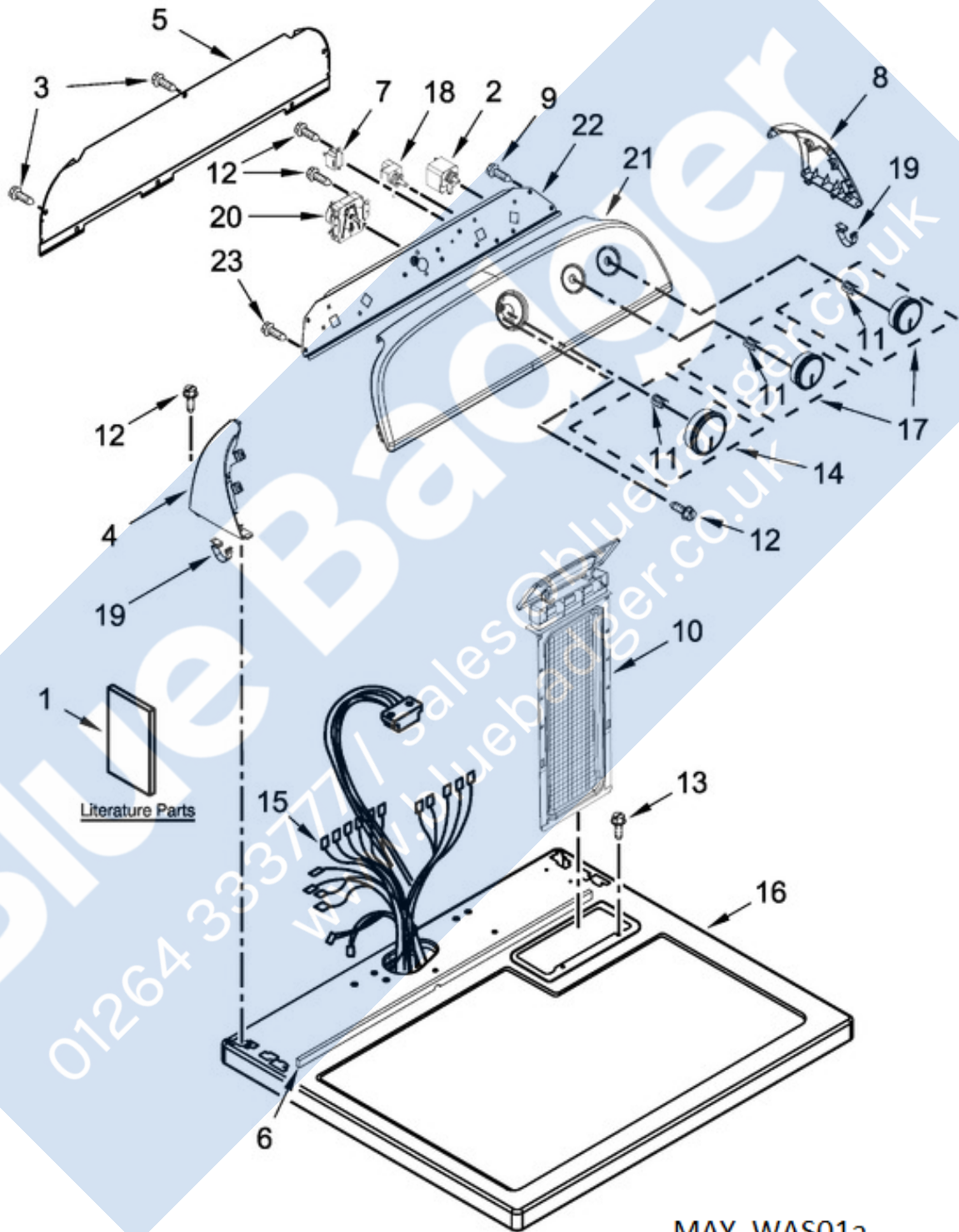
This document is only intended for qualified technicians who are aware of the respective safety regulations.
Subject to modifications

Spare Part List

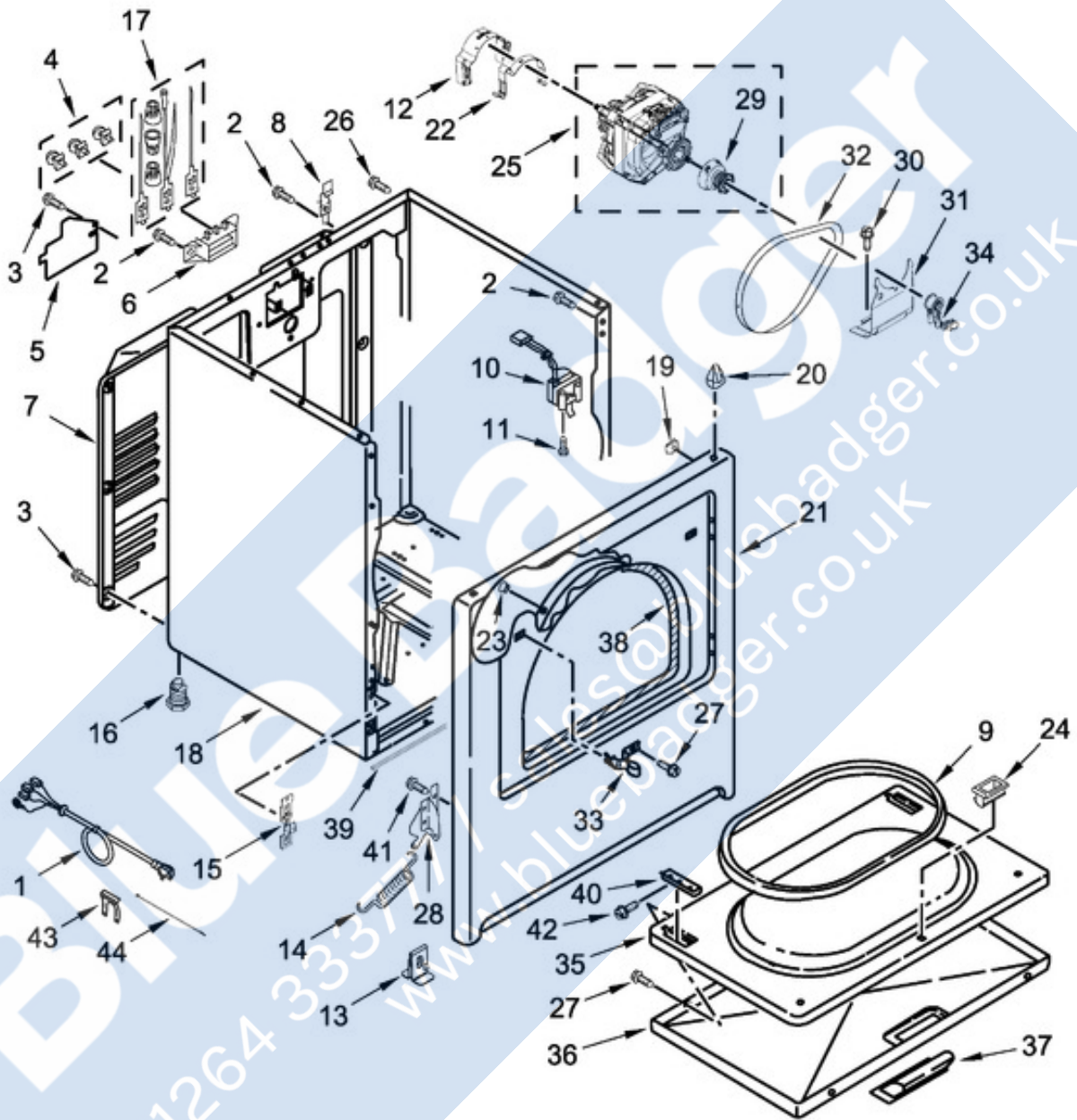
Pos	12NC	Description
28A	4820 000 98082	Hinge door
A001	4820 000 98038	Guide use and care
A002	4820 000 98039	Switch start
A004	4820 000 95944	End cap LEFT WHITE
A005	4820 000 98040	Rear panel
A006	4820 000 98041	Seal foam
A007	4820 000 98042	Buzzer mini
A008	4820 000 95945	End cap RIGHT WHITE
A010	4820 000 98043	Screening lint
A011	4820 000 98044	Spring clip
A014	4820 000 95952	Knob timeswitch
A015	4820 000 98045	Cable harness wiring main
A016	4820 000 98046	Cover top
A017	4820 000 95953	Control knob
A018	4820 000 98047	Switch temperature
A019	4820 000 98048	Clip console
A020	4820 000 98049	Timer assembly
A021	4820 000 98050	Console assembly
A022	4820 000 98051	Bracket control
B001	4820 000 98052	Power unit cord
B004	4819 310 38733	Plate connector srew kit.
B005	4820 000 98053	Terminal block cover
B006	4812 012 30825	3397659 BLOCK-TERMINAL
B007	4820 000 98055	Rear panel
B008	4820 000 98056	Hinge top
B009	4820 000 98138	Seal door
B010	4820 000 98058	Switch door
B012	4820 000 98059	Clamp motor
B013	4820 000 98060	Spring clip
B014	4820 000 98061	Spring door
B015	4820 000 98137	Clip front panel
B016	4820 000 95759	Foot
B017	4819 401 18795	Terminal Block.
B018	4820 000 98139	Cabinet white
B019	4820 000 98063	Clip ground
B020	4820 000 98064	Lock front top
B021	4820 000 98140	Panel front white
B022	4820 000 98066	Clamp motor mount
B023	4820 000 98141	Clip felt pad
B024	4820 000 98068	Door catch assembly
B025	4820 000 98142	Motor assembly 50 Hz
B028	4820 000 98070	Hinge door
B029	4820 000 98071	Pulley 50 Hz
B030	4820 000 98072	Bolt
B031	4820 000 98073	Base motor
B032	4820 000 98143	Belt driving
B033	4820 000 95793	Door clip
B034	4820 000 98074	Wheel idler assembly
B035	4820 000 98075	Door rear
B036	4820 000 98144	Door outer white

Pos	12NC	Description
B037	4820 000 98077	Handle door
B038	4819 034 06129	Gasket.
B039	4820 000 98078	Seal spill guard
B040	4820 000 98079	Clip hinge
B043	4820 000 98080	Strain relief
B044	4820 000 98145	Cable tie
C001	4820 000 98146	Hopper lint
C003	4820 000 98084	Washer
C004	4820 000 98085	Seal Lint Chute
C006	4820 000 98086	Shield exhaust
C007	4820 000 98087	Thermal fuse
C008	4820 000 98088	Thermostat
C009	4820 000 98089	Kit thermal cut-off
C010	4820 000 98090	Blower wheel
C011	4820 000 98091	Blower housing
C012	4820 000 98092	Clip heater box
C014	4820 000 98093	Box heater
C015	4820 000 98094	Thermostat 221 F
C016	4820 000 98095	Pad foam
C017	4820 000 98096	heater def element
C018	4820 000 98097	Seal
C019	4820 000 96805	Kit For heater
C022	4820 000 98098	Drum baffle
C023	4820 000 98147	Nut push on
C024	4820 000 98100	Washer tri ring
C025	4820 000 98101	Shaft drum roller L hand
C026	4820 000 98102	Shaft drum roller R hand
C027	4820 000 98103	Roller support
C028	4820 000 98104	Washer
C029	4820 000 98105	Nut hex
C030	4820 000 98106	Head bulk
C031	4820 000 98107	Bracket support
C032	4820 000 98108	Bearing ring
C032	4820 000 98148	Bearing ring
C034	4820 000 98109	Seal rear drum
C035	4820 000 98110	Drum assembly
C036	4820 000 98111	Drum baffle

Exploded View

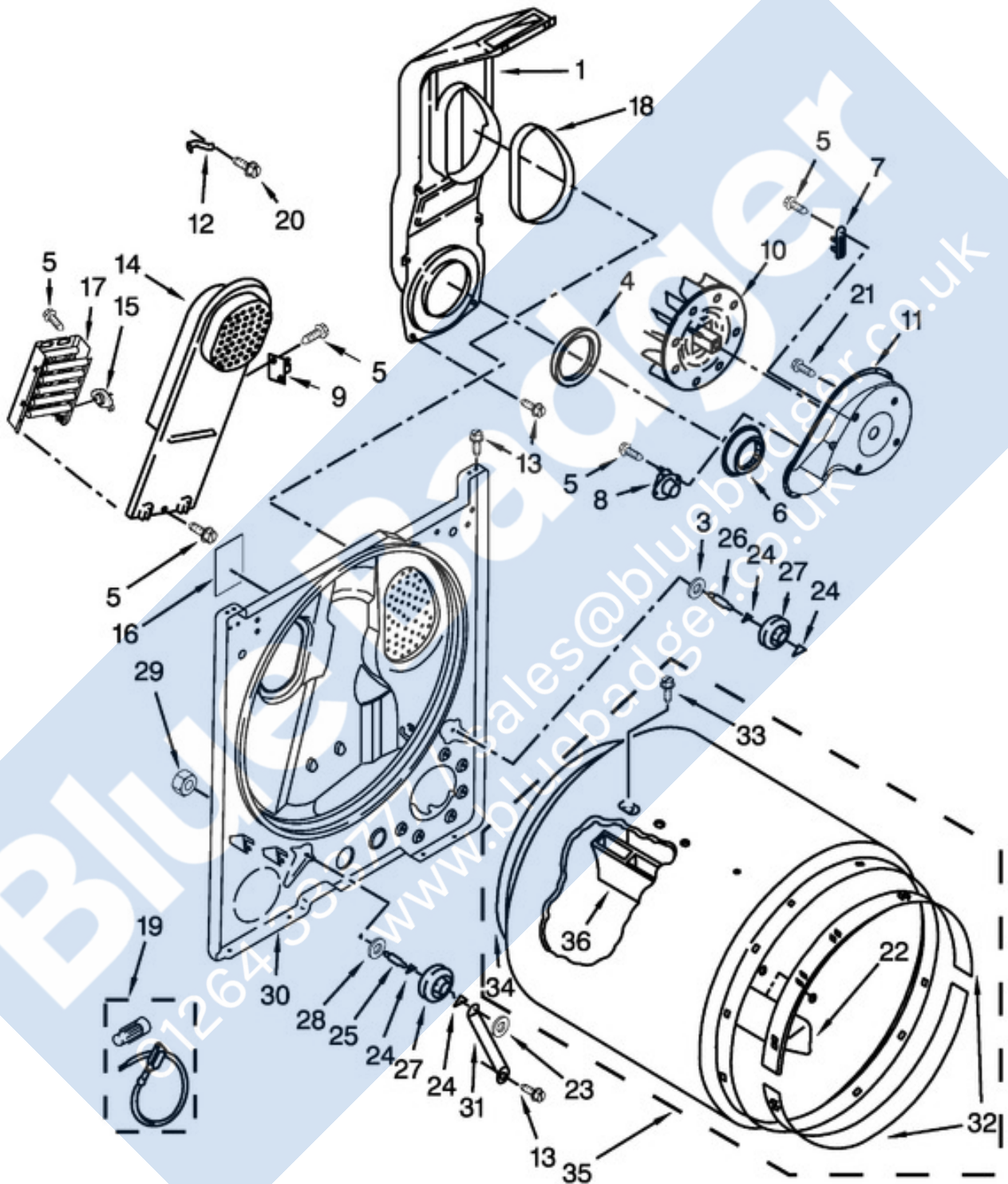


Exploded View



MAY_WAS01b

Exploded View



MAY_WAS01c

Circuit Diagram

MANUFACTURED UNDER ONE OR MORE OF THE FOLLOWING US PATENTS:

4669200, 4700495, 4754556, 4840285, 4845366, 4894464, 4909959, 4989347, 5064050, 5560120, 5809028, 6020698, 6047486, 6199300, 6446357, D314261, D314262, D457997, D457992

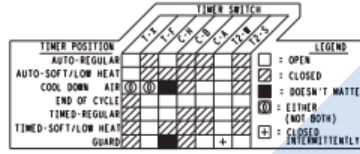
MANUFACTURED UNDER ONE OR MORE OF THE FOLLOWING CANADIAN PATENTS:

FABRIQUE SOUS UN OU PLUSIEURS DES BREVETS CANADIENS SUIVANTS:

1273387, 1315539, 2016304

MANUFACTURADO BAJO UNA O MAS DE LAS SIGUIENTES PATENTES MEXICANAS:

189136



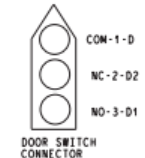
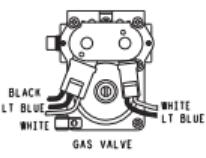
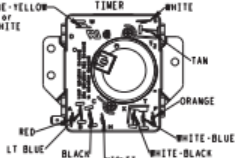
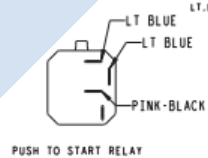
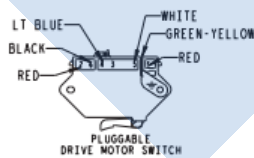
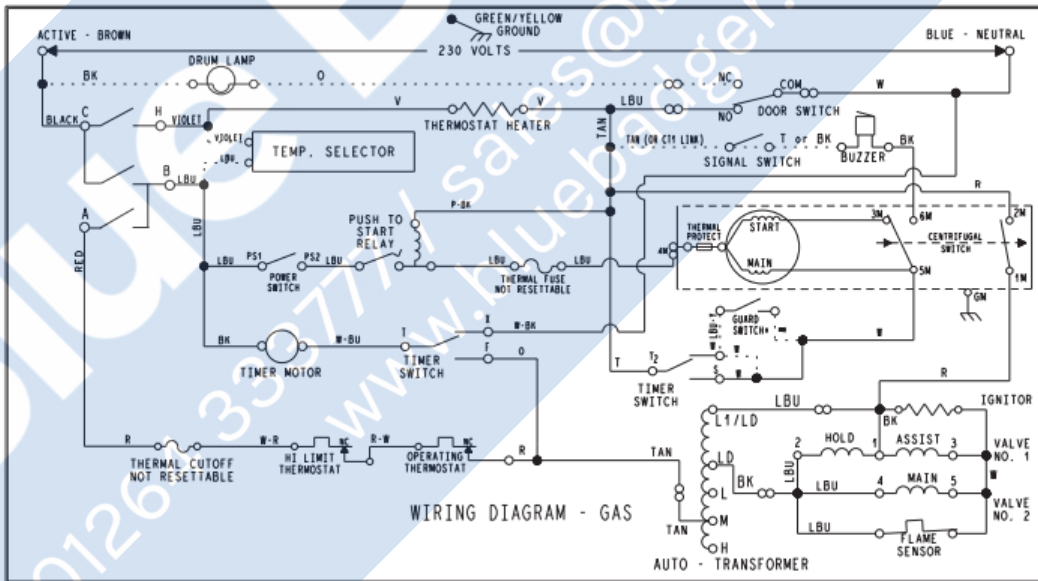
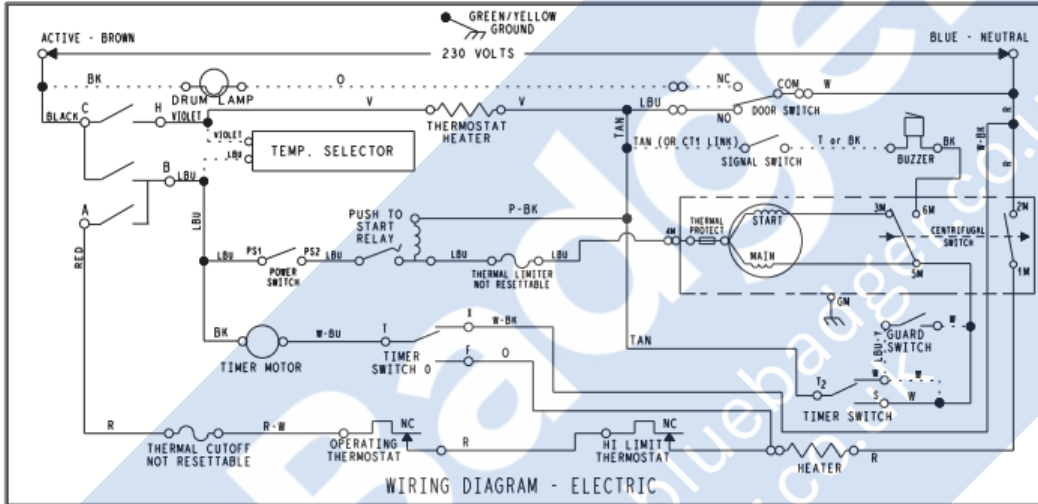
PART NO	REV
W10815797	A

LEGEND

- COMPONENT MAY OR MAY NOT BE USED
- TIMER CONSTRUCTION
- W TERMINAL CONSTRUCTION
- SPLICE
- ∞ IN LINE CONNECTION

CAUTION: LABEL ALL WIRES PRIOR TO DISCONNECTION WHEN SERVICING CONTROLS. WIRING ERRORS CAN CAUSE IMPROPER AND DANGEROUS OPERATION. VERIFY PROPER OPERATION AFTER SERVICING.

WARNING - DISCONNECT FROM ELECTRICAL SUPPLY BEFORE SERVICING UNIT.



SE_MAY_WAS_01