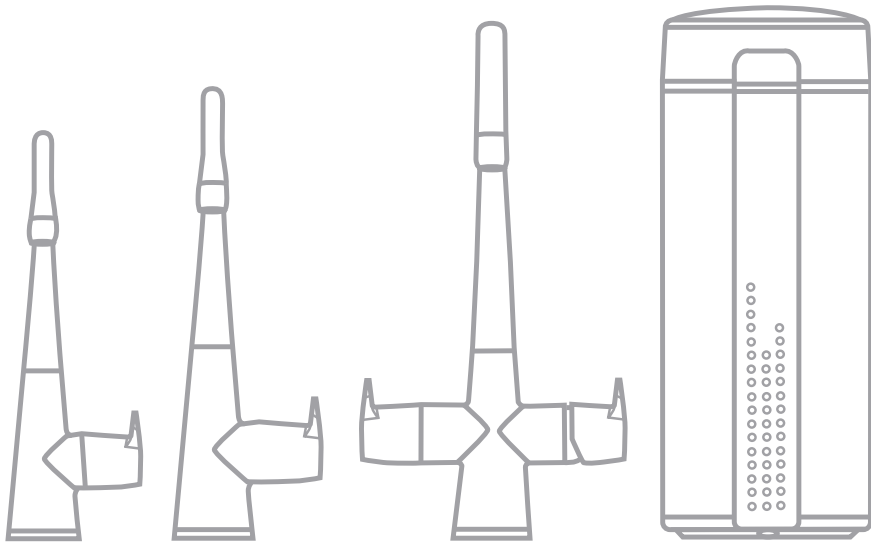




Product Instruction Manual

Zen Boiling Tap Range



Zen Solo, Zen Spa, Zen Life
Tap Range

Overview

The Zen Boiling Tap Range delivers elegant practical solutions for your domestic or commercial kitchen, providing tailored combinations of boiling water for tea and coffee making, high quality cold drinking water and kitchen hot and cold mixer tap capabilities.

The Zen Boiling Tap Range consists of a tank that is installed under the sink, one of the Zen Taps (Solo, Spa or Life Tap) and the complete installation kit to allow simple installation and safe operation.

The tank has two temperature settings. The high temperature setting provides true boiling 100°C and the lower temperature setting provides water at approx. 98°C. It is normally factory-set to HI, to change the setting see maintenance section.

The Zen Solo is a single outlet tap for boiling water that replaces the need for a traditional kettle, counter top or wall mounted boiling water unit.

The Zen Spa is a 2 in 1 hot and cold drinks station that provides boiling water alongside filtered cold, and optionally chilled or even sparkling water.

The Zen Life is a 3 in 1 tap that provides boiling water alongside hot and cold mixer tap capabilities, drawing hot water from your existing central heating system or hot water source. One potential hot water source is a Hyco Speedflow unvented under sink water heater (see our website for full product details).

All of the taps in the Zen Boiling Tap Range incorporate a childproof pull-and-turn handle on the boiling side of the tap to prevent inadvertent dispensing of boiling water.

Please read and follow these instructions before commencing installation to ensure that installation and operation is simple and safe.

1. Important safety points - Boiling tank



Always switch off the mains electricity before commencing installation



Only connect the unit to a single phase supply as specified on the rating plate



Ensure tank is full of water and tap flushed through before switching power on



The supply cord cannot be replaced by the user. If the cord is damaged the appliance should be returned to the manufacturer or an authorised service agent for replacement



The hoses and pipes supplying this heater must not come into contact with any fixed wiring or the supply cord



Do not carry the appliance by the supply cord



An RCD circuit breaker is strongly recommended



This unit dispenses boiling water



The tank unit must be placed on a solid surface where it will not be knocked over causing damage to the water hoses or electrical connections



The heater must not be used in an area subject to flammable vapours such as paint, solvent or petrol



This product is not suitable for outdoor use or in damp conditions



Do not use in ambient temperatures exceeding 35°C



Allow 20mm space between the tank and the walls for cooling air circulation



The pressure relief valve supplied with the unit **MUST** be fitted



The pressure relief valve must be tested regularly to remove scale deposits (see maintenance section)



Water may drip from the pressure relief valve, this should be piped to drain as per local relevant regulations



This appliance can be used by children aged 12 years and above and persons with reduced physical, sensory or mental capabilities or lack of experience and knowledge if they have been given supervision or instruction concerning the use of the appliance in a safe way



Children shall not play with the appliance



Children shall not clean or maintain the appliance without supervision



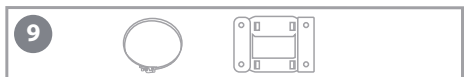
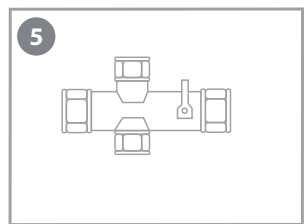
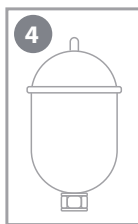
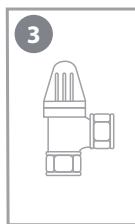
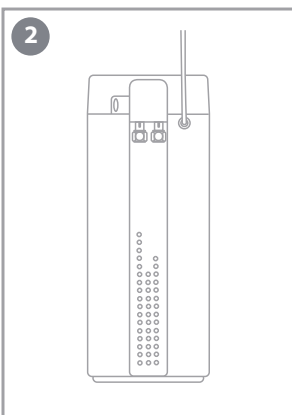
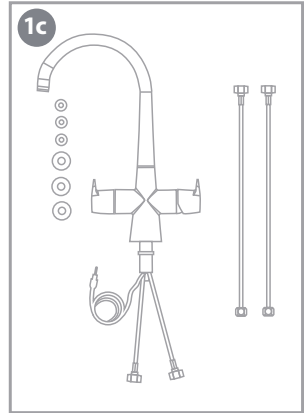
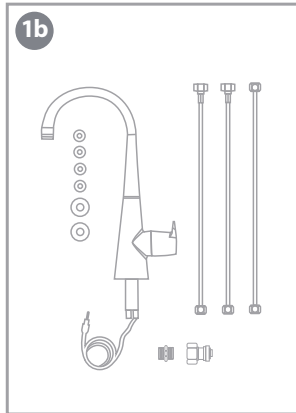
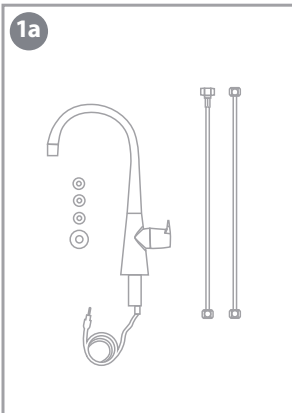
Before conducting any user maintenance the product should be isolated from the electrical supply and then the boiling side of the tap opened until the water runs cold



Do not modify or misuse the product in any way or serious injury could occur.

Contents

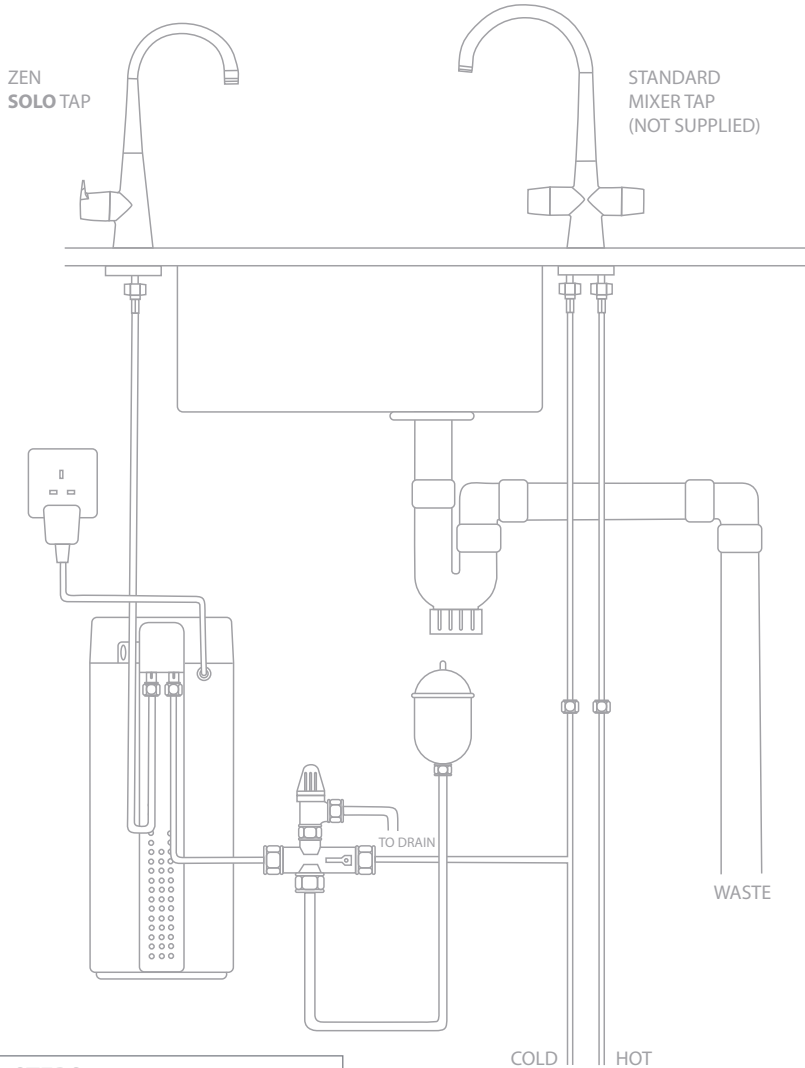
- 1a. **Solo** tap with 2 flexible hoses and washers **or**
- 1b. **Spa** tap with 3 flexible hoses and washers **or**
- 1c. **Life** tap with 2 flexible hoses pre-fitted plus 2 additional hose and washers
- 2. Boiling tank
- 3. Pressure relief valve (6 bar)
- 4. Expansion vessel (0.5L)
- 5. Manifold with built in check valve
- 6. Black rubber washer
- 7. Brass fitting to extend relief
- 8. Flexible hose
- 9. Bracket and Jubilee band



Solo tap installation overview



Please ensure that the tank, power socket and installation kit (manifold, relief valve and expansion vessel) are positioned to allow future user maintenance.



STEPS

- ① Drill hole
- ② Fit Solo tap
- ③ Connect water
- ④A Connect tank to Solo tap

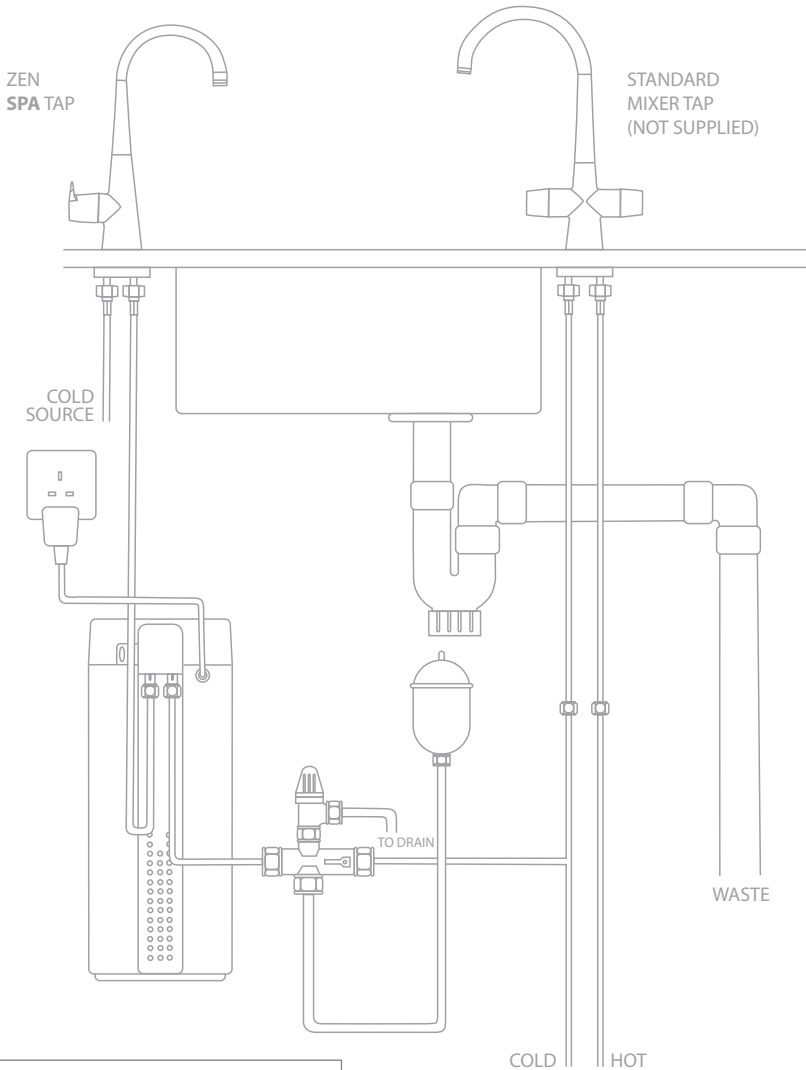


Ensure tank is full of water and tap flushed through before switching power on.

Spa tap installation overview



Please ensure that the tank, power socket and installation kit (manifold, relief valve and expansion vessel) are positioned to allow future user maintenance.



STEPS

- ① Drill hole
- ② Fit Spa tap
- ③ Connect water
- ④B Connect tank to Spa tap

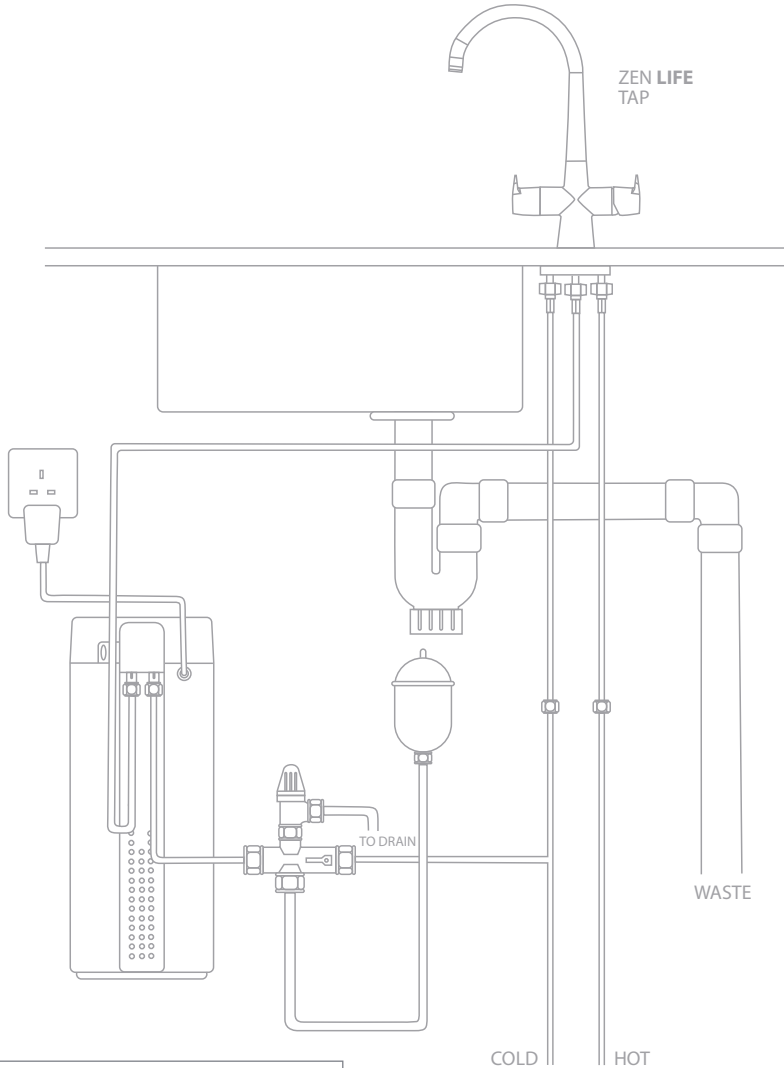


Ensure tank is full of water and tap flushed through before switching power on.

Life tap installation overview



Please ensure that the tank, power socket and installation kit (manifold, relief valve and expansion vessel) are positioned to allow future user maintenance.



STEPS

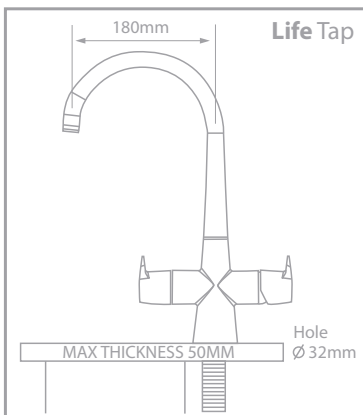
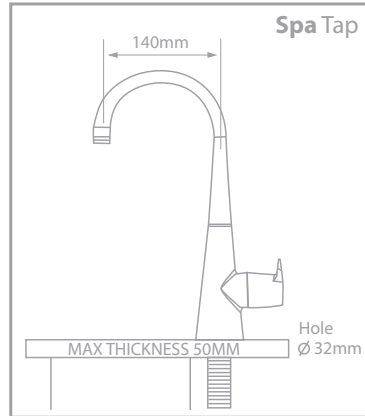
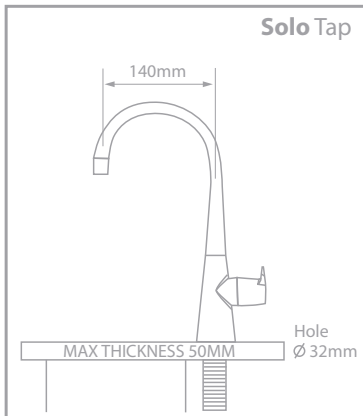
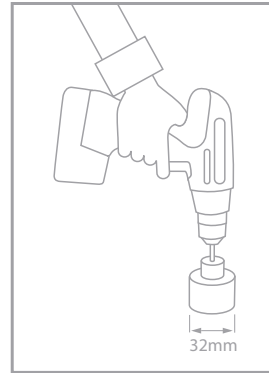
- ① Drill hole
- ② Fit Life tap
- ③ Connect water
- ④C Connect tank to Life tap



Ensure tank is full of water and tap flushed through before switching power on.

Step 1. Drill hole

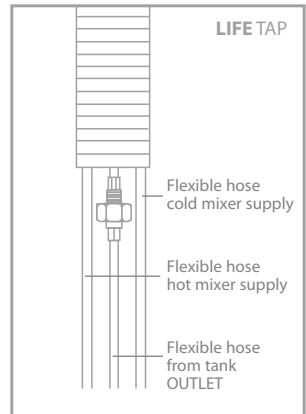
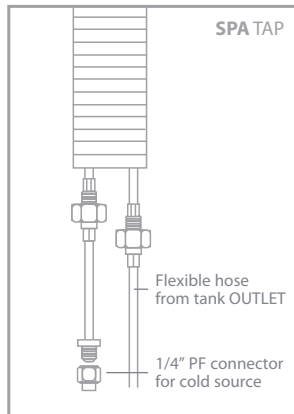
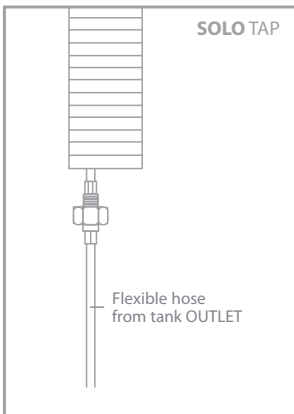
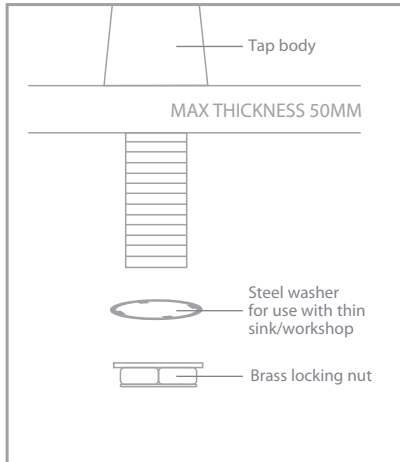
Determine a convenient location to mount the tap. This can be an existing hole in the sink top or you may choose to drill another hole (32mm diameter) either through the sink or the counter top.



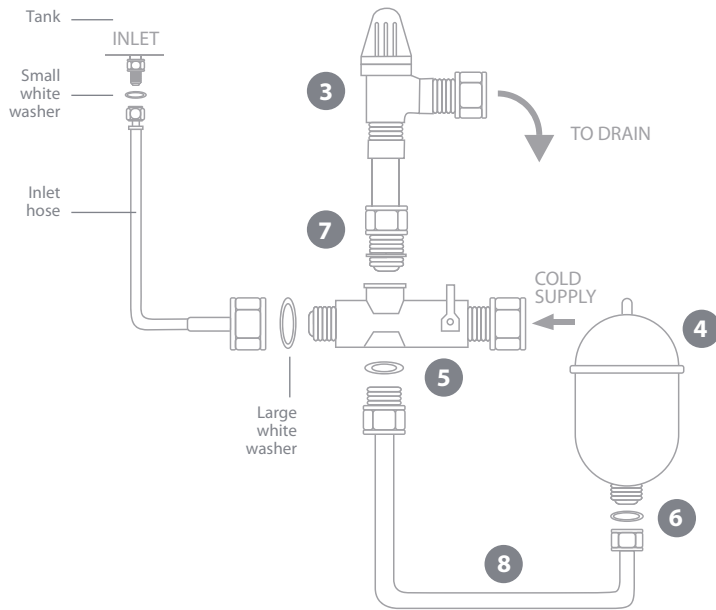
The tap can be installed onto sink/counter top that is up to 50mm thick.

If the sink is particularly thin the large black washer supplied with the tap should be placed on the underside of the sink.

Step 2. Fitting the tap

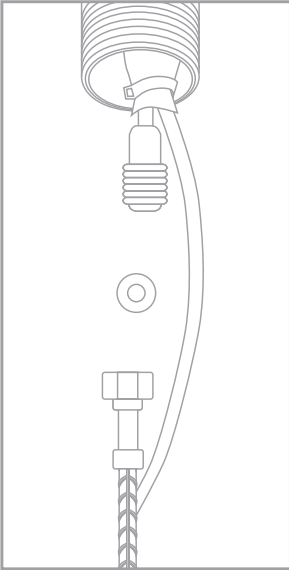


Step 3. Water connection

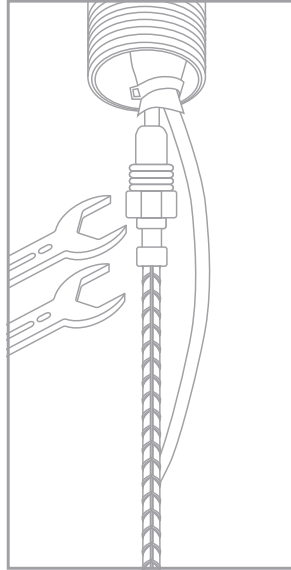


In hard water areas it is recommended that a suitable scale filter be fitted on installation.

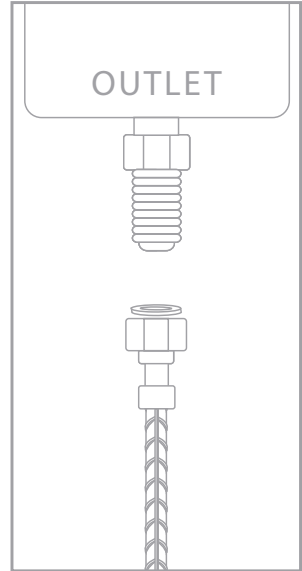
Step 4A. Connecting tank to SOLO tap



Fit the boiler flexible hose to the copper connection protruding from the base of the tap using the supplied washer (white).

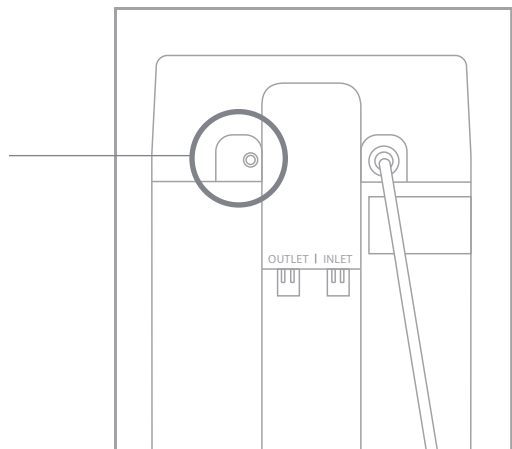


Tighten using a pair of spanners, taking care not to over-tighten the connections.

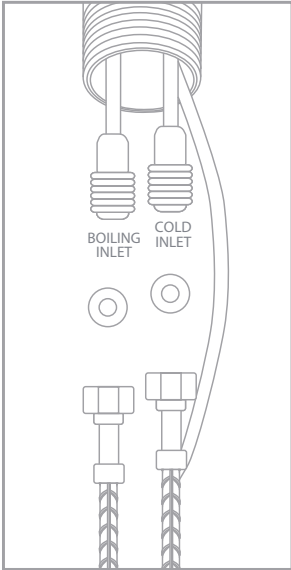


Connect the other end of the flexible hose to the connection marked as OUTLET on the back of the boiling tank.

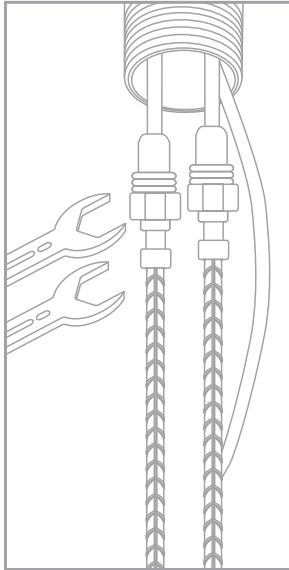
The black lead (3.5mm jack) from the tap connects into the back of the unit just above the inlet and outlet hoses as shown.



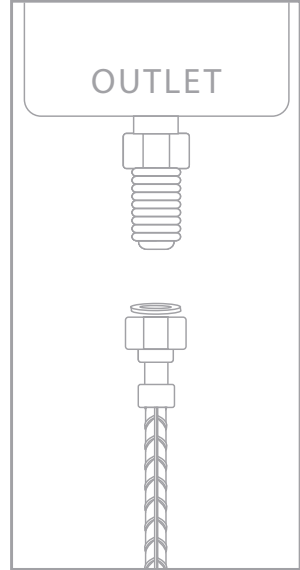
Step 4B. Connecting tank to SPA tap



Fit the boiler flexible hose to the longer copper connection protruding from the base of the tap and the shorter connection to a cold source (e.g. chiller), using the supplied washers.

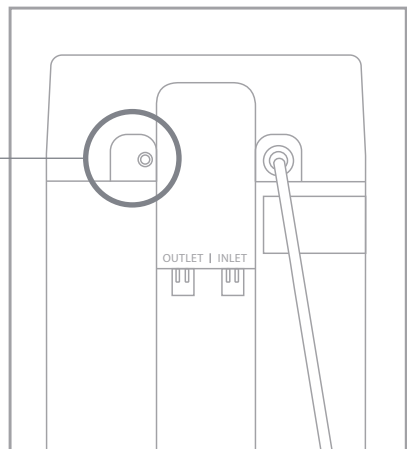


Tighten using a pair of spanners, taking care not to over tighten the connections.

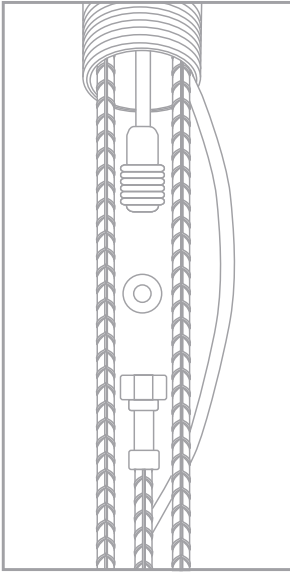


Connect the other end of the flexible hose to the connection marked as OUTLET on the back of the boiling tank.

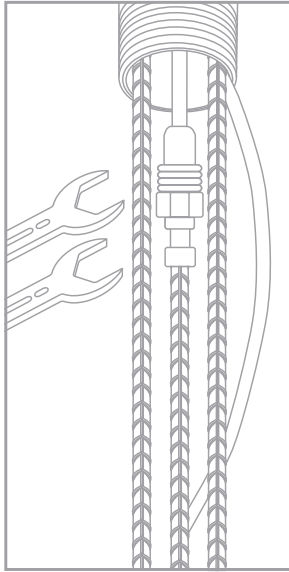
The black lead (3.5mm jack) from the tap connects into the back of the unit just above the inlet and outlet hoses as shown.



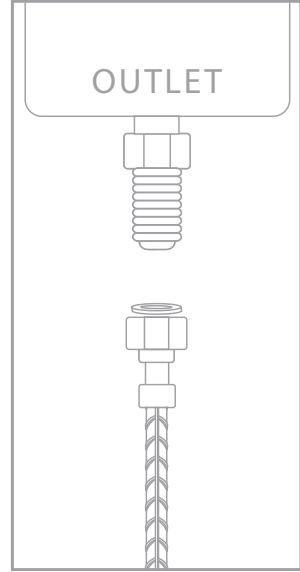
Step 4C. Connecting tank to LIFE tap



Fit the boiler flexible hose to the copper connection protruding from the base of the tap using the supplied washer (white).

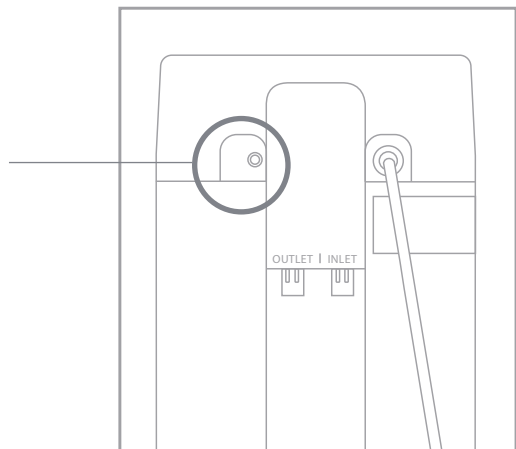


Tighten using a pair of spanners, taking care not to over tighten the connections.



Connect the other end of the flexible hose to the connection marked as OUTLET on the back of the boiling tank.

The black lead (3.5mm jack) from the tap connects into the back of the unit just above the inlet and outlet hoses as shown.



5. Operation - boiling water

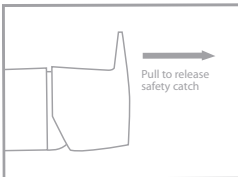


This appliance can be used by children aged 12 and above and persons with reduced physical, sensory or mental capabilities or lack of experience and knowledge if they have been given supervision or instruction concerning the use of the appliance in a safe way.

The unit will power up and begin to heat as soon as the power is turned on.

The status ring on the base of the tap will light up red or green depending on the temperature of the water in the tank. Red status ring means the water is heating up and green status ring means the water is up to temperature and is ready for use.

The boiling side tap handle on each of the taps has a safety locking mechanism. To open the tap pull the handle away from the tap body and rotate.



If the status light begins to flash red this means the temperature controller has detected a fault. The unit should be isolated from the power supply and the water supply shut off before contacting Hyco for further help.

Smart technology

The boiling water tank has smart technology algorithms that learn and predict usage: on when you need it, off when you don't. When the heater is in a predicted non-use period the status ring will be green and fade on and off slowly. To exit this mode open the tap and allow water to flow until the status ring flashes green. The heater will then recover back to boiling shortly after.

Status ring summary

Red	Water is heating
Green	Water is up to temperature – ready to use
Fading in/out green	Predicted non-use period
Flashing Red	Software error



Please note that the Zen tank is a storage type heater – it cannot deliver a continuous flow of hot water.

6. Maintenance



Before conducting any user maintenance the product should be isolated from the electrical supply and then open the tap until the water runs cold.



The relief valve must be regularly tested, to do this twist the red cap until water flows from the valve. If the valve is scaled up it must be replaced.



The supply cord cannot be replaced by the user. If the cord is damaged the appliance should be returned to the manufacturer or an authorised service agent.



Children shall not clean or maintain the appliance without supervision.



The unit must be drained if it may be exposed to freezing temperatures.



The tap and water tank can be cleaned with a lint free damp cloth. Do not use any abrasive or caustic cleaning products as this will damage the surface of the product.

Draining

- Disconnect from the electricity supply by unplugging the heater
- Open the tap until the water runs cold
- Isolate the water supply
- Disconnect the water pipes from the supply and tap
- Unplug the tap LED ring connector lead from the back of the heater
- Turn the unit upside down and allow the water to flow out of the tap hose until the flow stops

To re-install the heater, follow the installation instructions



Do not connect to electricity supply without re-filling the tank.

De-scaling the tank

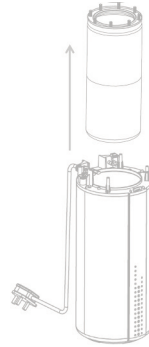


Ensure power is disconnected from the unit before commencing maintenance.



Ensure unit has cooled down before commencing maintenance.

- Drain unit as above
- Remove lid
- Disconnect PCB
- Remove PCB
- Remove Polystyrene cap
- Undo the element flange using a 10mm spanner
- Lift the tank out of the casing
- De-scale using a de-scaling agent
- Rinse thoroughly
- Re-assemble the unit



Ensure unit is full of water and flushed through before switching power back on.

Thermal cut out reset



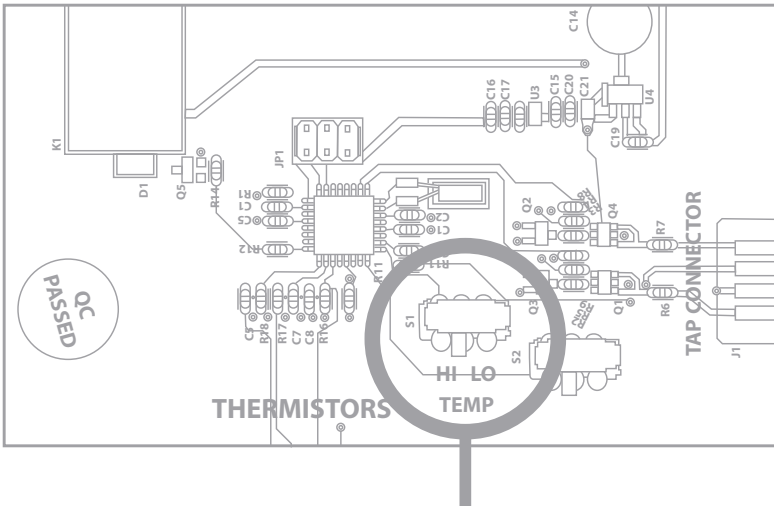
Ensure power is disconnected from the unit before commencing maintenance.

- The thermal cut-out is located on the PCB



Change temperature setting

- The temperature setting can be switched between LO and HI on the PCB

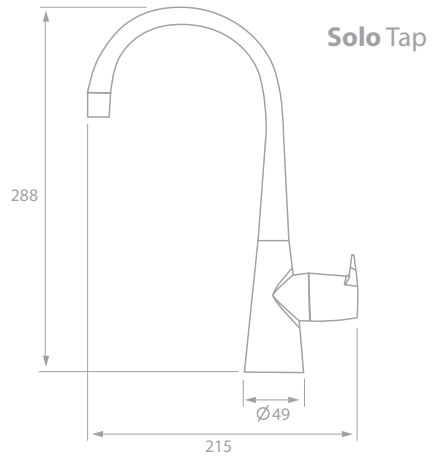
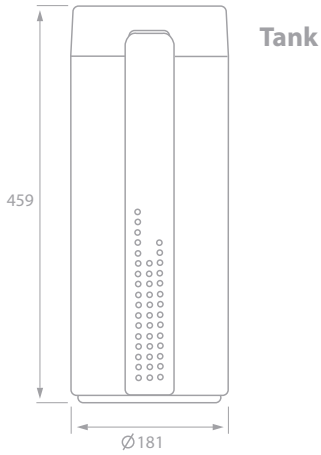


Temperature setting Jumper switch

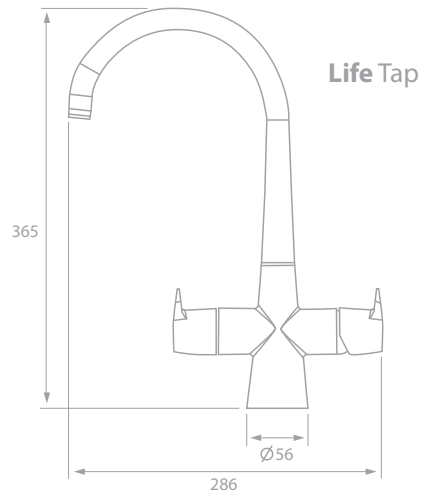
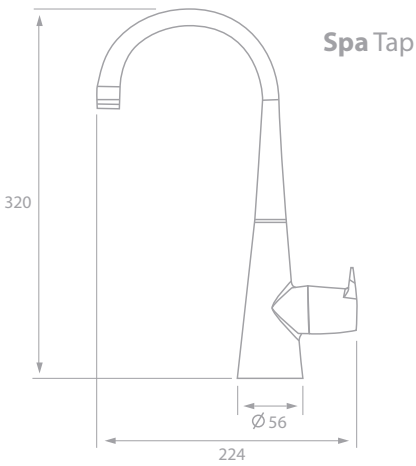
7. Technical Specification

Power (per tank)	1550W
Voltage	230V 50Hz ac
Max water pressure	4.2 bar (0.42MPa)
Min water pressure	1 bar (0.1MPa)
Max tank pressure	6 bar (0.6MPa)
Capacity (per tank)	3L
Ambient operating temperature	5-35°C

Dimensions



Depth inc. cable entry point 220mm



Please note hole size required for all tap models is Ø32mm



INFORMATION FOR CORRECT DISPOSAL OF THE PRODUCT IN ACCORDANCE WITH THE EUROPEAN DIRECTIVE 2002/96/E.

At the end of its working life this equipment must not be disposed of as household waste. It must be taken to a local authority waste collection centre or to a dealer providing this service. Disposing of electrical and electronic equipment separately enables its components to be recovered and recycled to obtain significant savings in energy and resources. In order to underline the duty to dispose of this equipment separately, the product is marked with a crossed out dustbin.

8. Guarantee and service policy

This product is guaranteed against faulty materials and manufacture for a period of two years from the date of purchase. Hyco will at its sole discretion replace, repair or refund any faulty unit. Incorrect installation, frost damage and the consequences of limescale deposits are excluded. Consequential costs such as labour charges or damage to fittings and surroundings are expressly excluded.

If you are unfortunate enough to experience a problem please contact us before taking any other action. Experience has shown that issues can often be resolved without the need to return or un-install the product.

Hyco Manufacturing Ltd
Normandy Court
Express Way
Castleford, WF10 5NR

T 01924 225 200
F 01924 225 210
E sales@hyco.co.uk

* 3084 *

hyco.co.uk