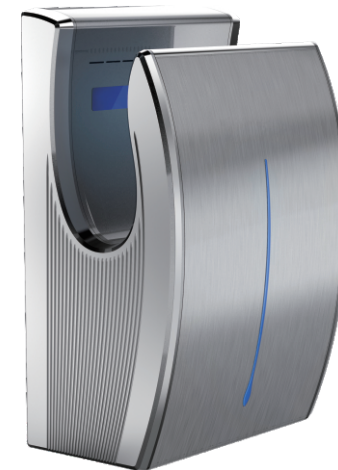




Product 1220

# Double Jet Hand Dryer

## Installation Manual



- Ask a professional to install.
- Read the manual before installing and using the dryer to ensure that it has been installed and is used safely and correctly.

## Content

Important Safety Instructions .....	1
Features .....	2
Product Diagram & Water Tank Maintenance .....	3
Exploded View .....	4
Installation & Maintenance .....	5
Function & Specification .....	6
Troubleshooting .....	7
Electrical Schematic .....	8

### **WARNING** If used incorrectly, accidents may occur.



- Do NOT remove the front board because of the risk of electric shock.



Forbid to Use in Bathroom & Showerroom

- Do NOT use in wet or damp areas, especially bathrooms or shower rooms. There is a significant risk of electric shock.



No Watering

- Do NOT splash water on the appliance. Cut off the power when maintaining, or it may cause electric shock.



No Unassemble

- Do NOT try to unassemble or modify the unit. Or it may cause fire, electric shock or other accidents.



Follow the Instruction malfunction

- Power Supply: AC 220V /50Hz
- If used the unit is used outside the recommended power supply there is a risk of fire, electric shock and malfunction.
- The unit must be installed to its own fused spur, if the unit is installed with other units on the same power source it may cause the unit to over heat and catch fire.
- Cut off the power supply before performing any maintenance on the unit. Or it may cause electric shock.



Grounded

- Ensure the unit is grounded or earthed. Failure to provide a suitable earth can result in electric shock.
- Ensure the hand dryer is installed by a certified electrician. It may cause electric shock & fire when wiring incorrectly.
- Ensure the unit is installed to a suitable circuit breaker. Or it may cause electric shock.



## WARNING

If used incorrectly, accidents may occur.



Forbidden

- Do NOT allow children to play with the appliance or use the appliance unsupervised.



Follow The Instruction

- Ensure to load the water tank and filter before using the appliance. If water gets inside, leakages or electric shocks can occur.
- Always wear gloves whilst performing maintenance on the machine to avoid injury.
- Turn the power supply off the prevent accidents. Turn the earth leakage circuit breaker off and ask our dealers to check and maintain to protect against electric shock and fire.

Do NOT install in the following places:

- Temp: below  $-10^{\circ}\text{C}$  or over  $40^{\circ}\text{C}$ .
- Wet places.
- Places that are directly under intense lighting to prevent appliance errors.
- Places w/Dew

### Notes for installation

Make sure that the power supply is turned off before installing.

If the power cord is damaged, have it replaced by a professional to prevent a serious fault.

- Always have the machine installed by professionals and have the machine installed in a safe and secure area to prevent accidents and injuries.
- Always wear protective eye-wear and clothing when installing/repairing to avoid injury.

## Features

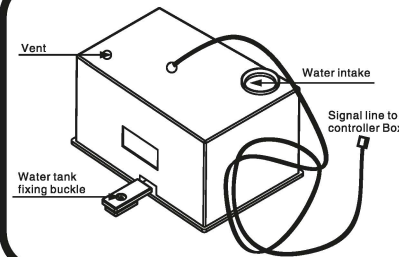
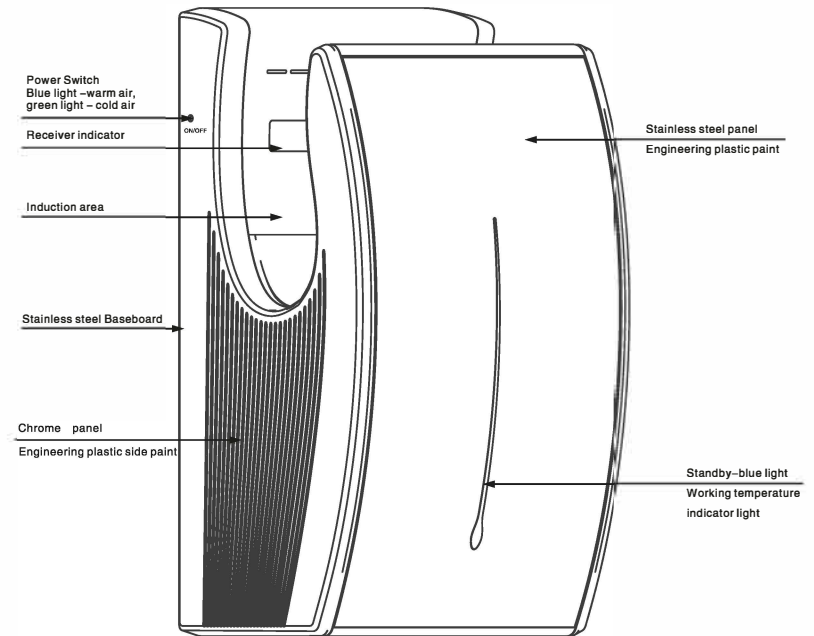
- The hand dryer is fully automatic, which means it is more hygienic than hand dryers with buttons.
- Dry hands quickly with hi-speed airflow.
- Plank Protection Timer allows the dryer to be used safely.
- Dry hands efficiently in quicker time and more hygienically.
- The hand dryer captures bacteria from the air, meaning it's much more hygienic than traditional hand dryers.

### Plank Protection Timer

- The appliance will stop running after 20 seconds of use. To continue using it, simply draw your hands back and return them again.

## Interior

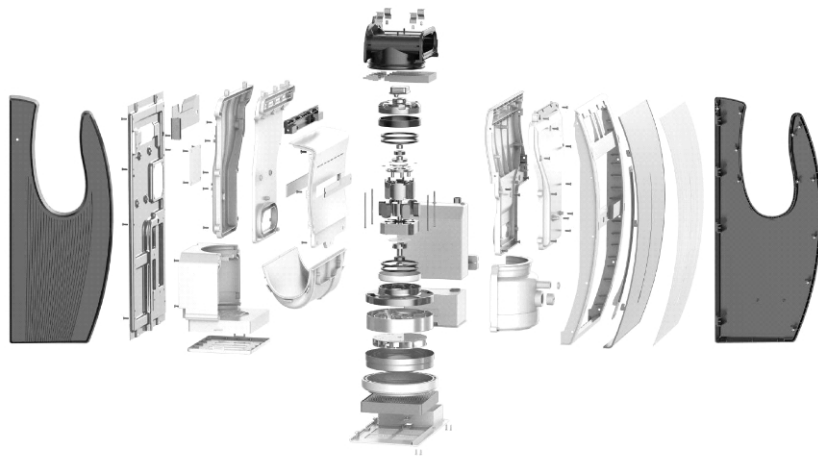
## Mini jet hand dryer



### Water tank maintenance

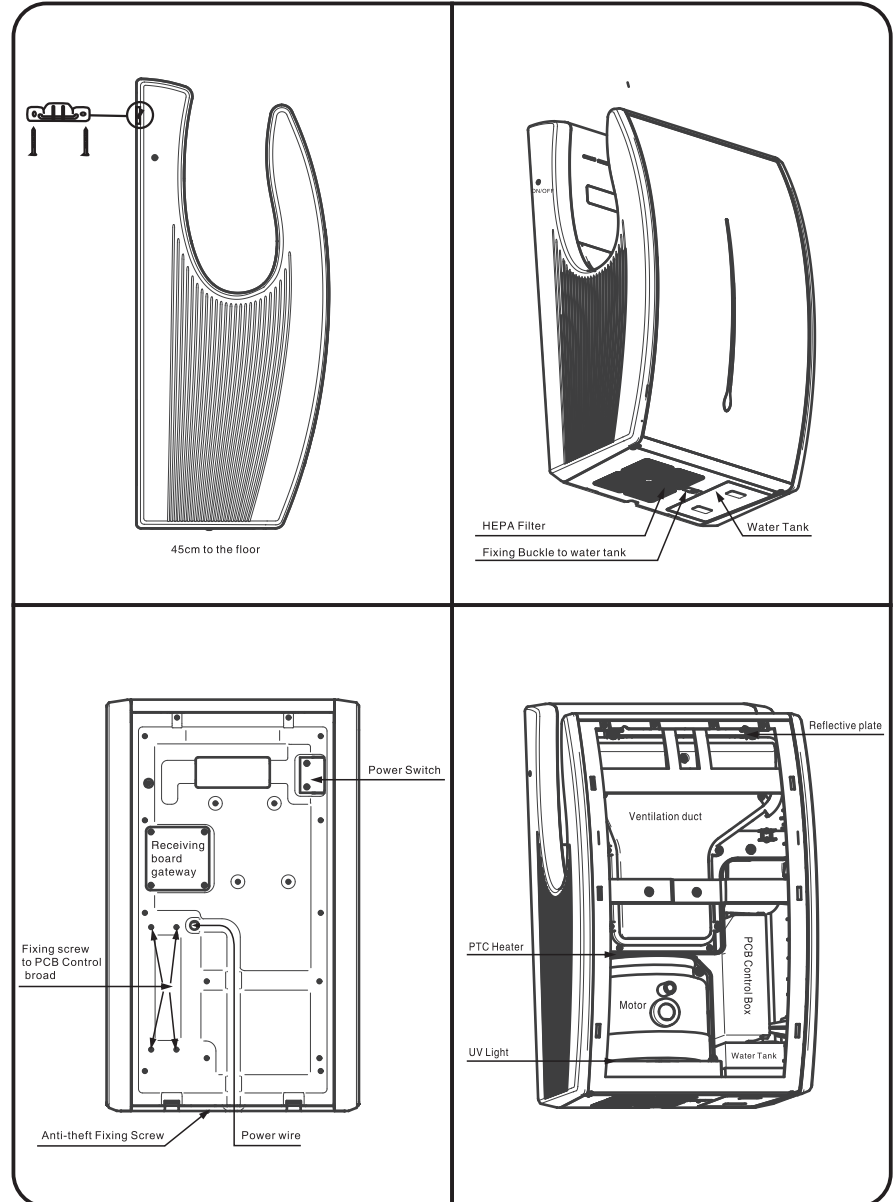
- Open the water tank fixing buckle, the water tank will fall off automatically.
- Cut off the signal line to the controller
- Pull out the water tank to clean up.

## Exploded view Mini jet hand dryer



### Accessories

- Plastic Expansion Tube.....2Pcs  
Fixing Bolt for Installing Board
- (5\*35 Self-tapping Bolt).....2Pcs
- Installing Hanging Slides.....1Pc



### Function

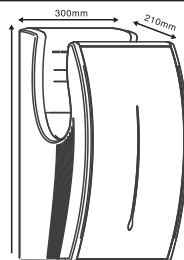
Digital Brushless motor allows for a highly efficient experience.

Energy Conservation: Our hand dryer is 90% more energy efficient than traditional hand dryers. Whilst on standby the hand dryer only uses 0.5W.

Intelligent: The hand dryer is equipped with a smart switch and uses a one button chip control system. Choose ON & OFF and Cold/Warm air. The voltage is 12V.

HEPA Filter: Bacteria particles are captured from the air, meaning it's much more hygienic than traditional hand dryers.

Security: The self-developed PCB and voltage isolator prevents the hand dryer from overheating and overloading.



The hand dryer will automatically run when you put your hands in the induction area, drying your hands within 7 seconds.

Voltage	Power	Air speed	Waterproof	Motor	Heat element	Drying time	Weight
AC110v-240v	750w+900w	106m/s	IPX4	Brushless motor	PTC	7-10S	10kg
50Hz-60Hz	1000+900w	100m/s		Brush motor			
Product size :488*300*210mm			Packing size : 585*390*300mm(1pcs)		585*390*585mm (2pcs)		

### Structure & Materials

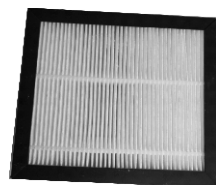
ABS Cover & Stainless steel plate

Plastic: ABS PC Material

Sealing rubber;Silicone rubber

Stainless steel bracket/Mounting bracket

Filter: HEPA Filter



High grade HEPA Filter

If there is any problem,pls check & solve according to the below form.

Situation	Checking	Solution
No air is coming out of the dryer when hands are put towards it.	<ul style="list-style-type: none"> <li>Is the indicator lighted on?</li> <li>Is the electric supply cut off?</li> <li>Are your hands close enough to the dryer?</li> </ul>	<ul style="list-style-type: none"> <li>Turn on leakage circuit breaker.</li> <li>Turn on power switch.</li> <li>Move your hands closer.</li> </ul>
The dryer won't turn off.	<ul style="list-style-type: none"> <li>Is there an issue with the sensor?</li> <li>Is the sensor clean?</li> </ul>	<ul style="list-style-type: none"> <li>Turn off the power.</li> <li>Clean it then restart.</li> </ul>
No hot wind.	<ul style="list-style-type: none"> <li>Is the sensor of built-in heater dirty?</li> <li>Is the fuse damaged?</li> </ul>	<ul style="list-style-type: none"> <li>Heater Switch:Green Light (OFF)&amp;Blue Light (ON).</li> <li>Turn off the dryer. Open the front board &amp; the cover of junction box. Check the fuse beside the terminal.</li> </ul>
Indicator of Type A is flashing.	Draining tank is full.	Disassemble the air filter & the fix screw of draining tank. Then pull out & clean the tank.

If the above steps can't solve the problem, turn the power and leakage breaker off. Contact us for a solution.

### Running Test

	Step	What to Check	Result
1	Check the power supply.	Is it AC220V in single phase?	
2	Turn on leakage breaker.		
3	Turn on Power Switch.	Is power indicator lighted on?	
4	Insert your hands.	Is there any air blowing out?	
5		Is it installing firmly? Is there any vibration or abnormal noise?	

- Do NOT insert hands when the power is on.
- Turn off the dryer when the check light is flashing. Wait until all of the indicators have turned off (around 40 seconds). Then turn on the power switch.

# Electric Schematic

## Electric Schematic of Hand Dryer

