



# Zip HydroChill HC20

---

**FILTERED: CHILLED AMBIENT**

---

The HydroChill Counter-Top HC20 push-button can dispense up to 80 litres per hour, with portion control and manual dispense functions for ease of use and UV out filtration system available on selected models. Providing filtered chilled and ambient water.



MODEL	TAP STYLE	ULTRA VIOLET	CAPACITY (L/HR)	NOMINAL POWER RATING KW	DIMENSIONS W X D X H
HC20CIT80	Push Button	N	80 L/hr	0.53 kW @ 230V AC	360mm x 565mm x 502mm

## Features and benefits

### Pure, clean water

Provide pure-tasting water in an instant, thanks to Zip's 3 micron MicroPurity filtration system, which removes impurities and contaminants.

### Environmentally responsible

Create a healthier, greener workplace with no need for plastic bottles.

### Caters for high volume usage

The HydroChill range has been designed to cater for commercial settings where large volumes of drinking water are required. In fact, the HydroChill Under-Counter HC50 has the capability to provide up to **150** litres of chilled or sparkling water an hour from a single unit.

### Consumables and accessories

Serve clean-tasting water in a professional way by using Zip's table-top glass bottles.

### Easy to install

Quick and simple to install and use.

## Product detail

---

### Specification type

---

Product code	HC20CIT80
Product name	HydroChill HC20 counter-top 80ltr chilled & ambient push button
Cooling Technology	Ice bank - single coil
Factory Temperature Range	5-12°C

---



**WARNING** R290 is a CFC free, environmentally friendly but highly flammable gas. The product should be installed and operated within the instructions in the supplied manual

### Capacity, weights & dimensions

---

Water Functions	Chilled, Ambient
Capacity (litres per hour)	80 L/hr
Product weight	38kg
Unit dimensions (W x D x H) mm	360mm x 565mm x 502mm

---

### Plumbing

---

Whole cold water inlet supply required	Yes
Inlet pipe	15mm
Supply pressure range	2.5bar (Min) - 3.5bar (Max)
Installation	Must comply with current water supply regulations

---

The minimum water pressure will vary if a limescale filter is installed. Please contact us to discuss your requirements.

### Electrical

---

Nominal power rating kw	0.53 kW @ 230V AC
Power supply option	1x 13amp socket outlet
Installation	Must comply with current IEE regulations

---

### Filtration

---

Taste & Odour Filtration Kit - available to purchase	HCF3 - Zip MicroPurity filter HD 3 Micron 30 - 80 l/ph
Sterilising UV filtration at point of dispense	No

---

### Warranty

---

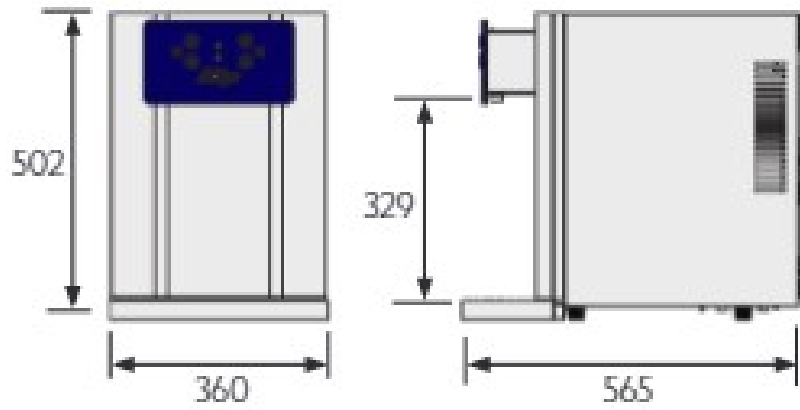
2 years on-site parts and labour on site	Terms and conditions apply (see supplied manual)
--	--

---

## Technical drawings & dimensions

---

All dimensions in mm




**HC20IT 80 litre**

## Accessories

---

Visit [specify.zipwater.co.uk](https://specify.zipwater.co.uk) to find out more information about Zip HydroChill HC20 Accessories

Image	SKU	Title
	94778	80 Litre Cabinet for HC20

---