



Zip HydroChill HC20

FILTERED: CHILLED SPARKLING

The HydroChill Counter-Top HC20 push-button can dispense up to 150 litres per hour, with portion control and manual dispense functions for ease of use, providing filtered chilled and sparkling water.



MODEL	TAP STYLE	ULTRA VIOLET	CAPACITY (L/HR)	NOMINAL POWER RATING KW	DIMENSIONS W X D X H
HC20IT150	Push Button	N	150 L/hr	0.875 kW @ 230V AC	460mm x 606mm x 542mm

Features and benefits

Pure, clean water

Provide pure-tasting water in an instant, thanks to Zip's 3 micron MicroPurity filtration system, which removes impurities and contaminants.

Environmentally responsible

Create a healthier, greener workplace with no need for plastic bottles.

Caters for high volume usage

The HydroChill range has been designed to cater for commercial settings where large volumes of drinking water are required. In fact, the HydroChill Under-Counter HC50 has the capability to provide up to **150** litres of chilled or sparkling water an hour from a single unit.

Consumables and accessories

Serve clean-tasting water in a professional way by using Zip's table-top glass bottles.

Easy to install

Quick and simple to install and use.

Product detail

Specification type

Product code	HC20IT150
Product name	HydroChill HC20 counter-top 150ltr chilled & sparkling push button
Cooling Technology	Ice bank - double coil
Factory Temperature Range	5-12°C



WARNING R290 is a CFC free, environmentally friendly but highly flammable gas. The product should be installed and operated within the instructions in the supplied manual

Capacity, weights & dimensions

Water Functions	Chilled, Sparkling
Capacity (litres per hour)	150 L/hr
Product weight	49kg
Unit dimensions (W x D x H) mm	460mm x 606mm x 542mm

Plumbing

Whole cold water inlet supply required	Yes
Inlet pipe	15mm
Supply pressure range	2.5bar (Min) - 3.5bar (Max)
Installation	Must comply with current water supply regulations

The minimum water pressure will vary if a limescale filter is installed. Please contact us to discuss your requirements.

Electrical

Nominal power rating kw	0.875 kW @ 230V AC
Power supply option	1x 13amp socket outlet
Installation	Must comply with current IEE regulations

Filtration

Taste & Odour Filtration Kit - available to purchase	HCF4S - Zip MicroPurity filter HD 3 Micron 150 - 280 l/ph with CO2 Regulator
Sterilising UV filtration at point of dispense	No

CO₂ Gas

CO₂ regulator and fittings supplied, cylinder not supplied



STORAGE WARNING CO₂ contains gas and should be installed in a well ventilated area. Refer to installation manual for more information.

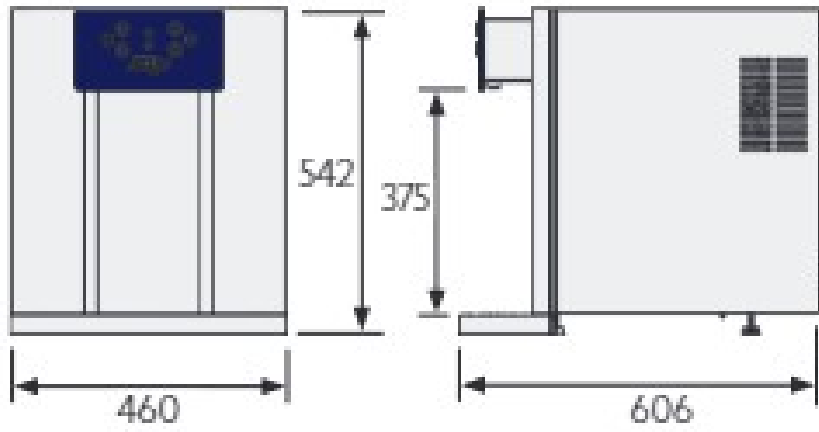
Warranty

2 years on-site parts and labour on site

Terms and conditions apply (see supplied manual)

Technical drawings & dimensions

All dimensions in mm



HC20IT 150 litre