



# Zip HydroChill HC50

**FILTERED: CHILLED SPARKLING AMBIENT**

The perfect choice for front of house, HydroChill Under-Counter features a number of stylish tap designs. It is the ideal solution for installations that require the unit to be tucked away out of sight. The push-button control bridge allows portion control for chilled, sparkling and ambient water.



MODEL	TAP STYLE	ULTRA VIOLET	CAPACITY (L/HR)	NOMINAL POWER RATING KW	DIMENSIONS W X D X H
HC50BIT150	Bridge	N	150 L/hr	0.875 kW @ 230V AC	460mm x 460mm x 608mm

## Features and benefits

### Pure, clean water

Provide pure-tasting water in an instant, thanks to Zip's 3 micron MicroPurity filtration system, which removes impurities and contaminants.

### Environmentally responsible

Create a healthier, greener workplace with no need for plastic bottles.

### Caters for high volume usage

The HydroChill range has been designed to cater for commercial settings where large volumes of drinking water are required. In fact, the HydroChill Under-Counter HC50 has the capability to provide up to **150** litres of chilled or sparkling water an hour from a single unit.

### Consumables and accessories

Serve clean-tasting water in a professional way by using Zip's table-top glass bottles.

### Easy to install

Quick and simple to install and use.

## Product detail

---

### Specification type

Product code	HC50BIT150
Product name	HydroChill HC50 under-counter 150ltr chilled, sparkling & ambient bridge button control
Cooling Technology	Ice bank - double coil
Factory Temperature Range	5-12°C



**WARNING** R290 is a CFC free, environmentally friendly but highly flammable gas. The product should be installed and operated within the instructions in the supplied manual

### Capacity, weights & dimensions

Water Functions	Chilled, Sparkling, Ambient
Capacity (litres per hour)	150 L/hr
Product weight	45kg
Unit dimensions (W x D x H) mm	460mm x 460mm x 608mm

### Plumbing

Whole cold water inlet supply required	Yes
Inlet pipe	15mm
Supply pressure range	2.5bar (Min) - 3.5bar (Max)
Installation	Must comply with current water supply regulations

The minimum water pressure will vary if a limescale filter is installed. Please contact us to discuss your requirements.

### Electrical

Nominal power rating kw	0.875 kW @ 230V AC
Power supply option	1x 13amp socket outlet
Installation	Must comply with current IEE regulations

### Filtration

Taste & Odour Filtration Kit - available to purchase	HCF4S - Zip MicroPurity filter HD 3 Micron 150 - 280 l/ph with CO2 Regulator
Sterilising UV filtration at point of dispense	No

## CO<sub>2</sub> Gas

---

CO<sub>2</sub> regulator and fittings supplied, cylinder not supplied

---



**STORAGE WARNING** CO<sub>2</sub> contains gas and should be installed in a well ventilated area. Refer to installation manual for more information.

## Warranty

---

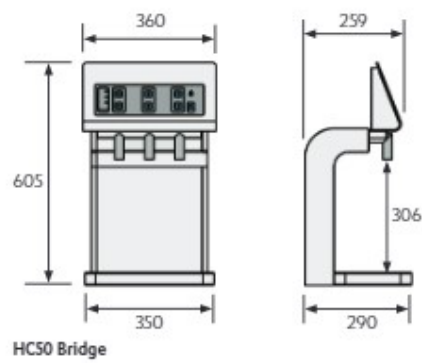
2 years on-site parts and labour on site

Terms and conditions apply (see supplied manual)

---

## Technical drawings & dimensions

All dimensions in mm



Mounting holes

