



Zip HydroChill HC50

FILTERED: CHILLED AMBIENT

The perfect choice for front of house, HydroChill Under-Counter features a number of stylish tap designs. It is the ideal solution for installations that require the unit to be tucked away out of sight. The HC50CT2P150 provides chilled and ambient water from a two spout tap with badge.



MODEL	TAP STYLE	ULTRA VIOLET	CAPACITY (L/HR)	NOMINAL POWER RATING KW	DIMENSIONS W X D X H
HC50CT2P150	Spout Tap	N	150 L/hr	0.875 kW @ 230V AC	460mm x 460mm x 608mm

Features and benefits

Pure, clean water

Provide pure-tasting water in an instant, thanks to Zip's 3 micron MicroPurity filtration system, which removes impurities and contaminants.

Environmentally responsible

Create a healthier, greener workplace with no need for plastic bottles.

Caters for high volume usage

The HydroChill range has been designed to cater for commercial settings where large volumes of drinking water are required. In fact, the HydroChill Under-Counter HC50 has the capability to provide up to **150** litres of chilled or sparkling water an hour from a single unit.

Consumables and accessories

Serve clean-tasting water in a professional way by using Zip's table-top glass bottles.

Easy to install

Quick and simple to install and use.

Product detail

Specification type

Product code	HC50CT2P150
Product name	HydroChill HC50 under-counter 150ltr chilled & ambient 2 spout tap with badge
Cooling Technology	Ice bank - double coil
Factory Temperature Range	5-12°C



WARNING R290 is a CFC free, environmentally friendly but highly flammable gas. The product should be installed and operated within the instructions in the supplied manual

Capacity, weights & dimensions

Water Functions	Chilled, Ambient
Capacity (litres per hour)	150 L/hr
Product weight	45kg
Unit dimensions (W x D x H) mm	460mm x 460mm x 608mm

Plumbing

Whole cold water inlet supply required	Yes
Inlet pipe	15mm
Supply pressure range	2.5bar (Min) - 3.5bar (Max)
Installation	Must comply with current water supply regulations

The minimum water pressure will vary if a limescale filter is installed. Please contact us to discuss your requirements.

Electrical

Nominal power rating kw	0.875 kW @ 230V AC
Power supply option	1x 13amp socket outlet
Installation	Must comply with current IEE regulations

Filtration

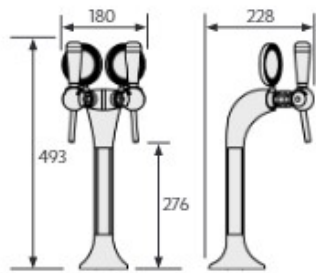
Taste & Odour Filtration Kit - available to purchase	HCF4 - Zip MicroPurity filter HD 3 Micron 150 - 280 l/ph
Sterilising UV filtration at point of dispense	No

Warranty

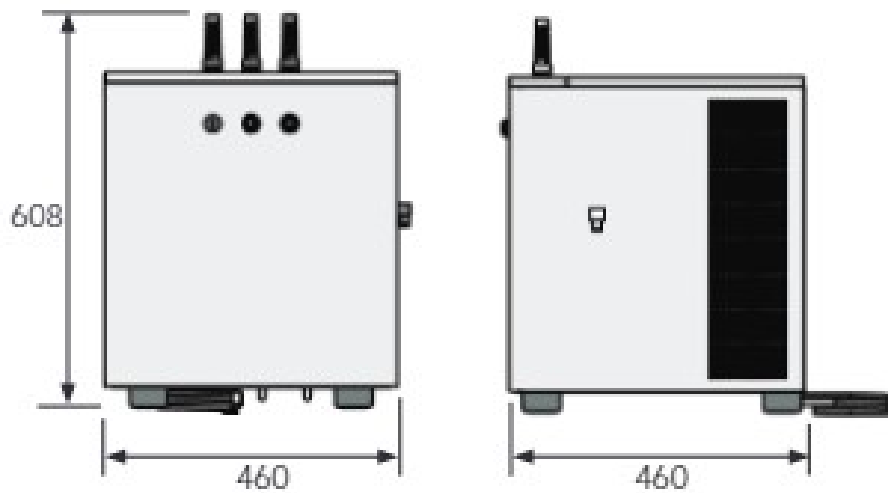
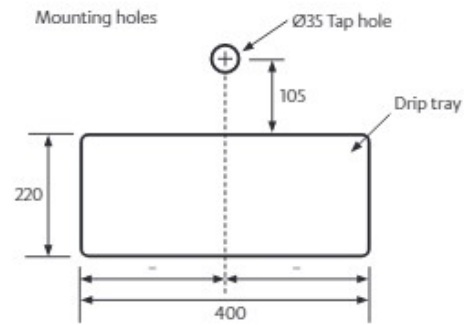
2 years on-site parts and labour on site	Terms and conditions apply (see supplied manual)
--	--

Technical drawings & dimensions

All dimensions in mm






HC50 2 Spout tap with badge



HC50 150 litre

Accessories

Visit specify.zipwater.co.uk to find out more information about Zip HydroChill HC50 Accessories

Image	SKU	Title
	94773	Stainless Steel drip tray 150 x 220mm for HC50 Taps
	94775	Stainless Steel drip tray with drain 400 x 220mm for HC50 Taps
	94774	Stainless Steel drip tray 400 x 220 mm for HC50 Taps
