

Installation, Maintenance and User Instructions

Zip InLine

Electronically Controlled Instantaneous
Water Heaters
Models: CEX-O & CEX-U

Issued April 2014



Zip[®]

Zip[®]

The terms 'Zip' and 'InLine' are registered trademarks

Zip Heaters (UK) Ltd
14 Bertie Ward Way
Dereham
Norfolk
NR19 1TE

Telephone: 0845 6 005 005
Fax: 01362 692448
Web: www.zipheaters.co.uk

WRAS
APPROVED
PRODUCT



CE



9120-2546 April 2014 V1.02

Please read these instructions carefully **before** commencing installation of the InLine water heater.
Please leave these instructions with the end user after installation.

Contents

Description	1
Approvals	1
Safety information	2
WARNING 	2
CAUTION 	3
Technical data	4
Dimensions	5
Spare Parts	5
Installation	6
Requirements	6
Installation site	6
Installing the appliance	7
Electrical connection / Wiring diagram	8
Commissioning	9
Service menu	11
Operation	13
Maintenance and cleaning	15
Fault finding	16
Warranty	17

Please read these instructions carefully before commencing installation of the InLine Electronic Instantaneous Water Heater.

Please leave these instructions with the end user after installation.

To ensure you have the latest revision of this instruction manual, please visit www.zipheaters.co.uk to download the latest copy.

In order to preserve our environment we ask that you dispose of this product correctly. Please contact Zip Customer Service for advice on 0845 6 005 005.

Description

Zip InLine CEX-O and CEX-U instantaneous water heaters are micro-processor controlled, pressure resistant water heaters suitable for supplying hot water to one or more outlets.

The heating element switches on automatically when the hot water tap is opened and switches off automatically when the hot water tap is closed.

The electronic control system automatically regulates the power consumption depending on the supply water temperature and flow rate to achieve the required outlet temperature within the power limit of the appliance.

Power consumption is also regulated based on outlet temperature to ensure the required temperature is achieved exactly to the degree and irrespective of fluctuations in voltage and water pressure.

The power rating of the appliance can be selected as either 8.8kW or 6.6kW at 230V at the time of installation.

The required outlet temperature can be entered on a keypad within the range 30°C to 55°C and can be read off the digital display.

The maximum inlet temperature of 70°C is suitable for use with preheated water e.g. from solar heating systems.

Approvals



Zip InLine CEX-O and CEX-U are VDE approved to the LVD and EMC directives and are CE endorsed.

Zip InLine CEX-O and CEX-U have been examined, tested and found when correctly fitted to comply with the requirements of the United Kingdom Water Regulations / Byelaws (Scotland). The products are listed under the WRAS (Water Regulations Advisory Scheme) Water Fittings and Materials Directory.

IMPORTANT:


PLEASE READ THESE INSTRUCTIONS CAREFULLY.


NOTE THE SAFE OPERATIONAL REQUIREMENTS, WARNINGS AND CAUTIONS. USE THIS PRODUCT CORRECTLY AND WITH CARE FOR THE PURPOSE FOR WHICH IT IS INTENDED. FAILURE TO DO SO MAY CAUSE DAMAGE AND/OR PERSONAL INJURY, AND WILL INVALIDATE THE WARRANTY. RETAIN THESE INSTRUCTIONS FOR FUTURE USE.

WARNING:		Situations that could cause injury to yourself or others.
CAUTION:		Situations that could cause damage to your appliance or other equipment.
NOTE:		Notes, usage tips or additional information.

Safety Information

WARNING

- **Installation, commissioning and maintenance of this appliance must only be carried out by a competent installer who will then be responsible for adhering to all relevant standards and regulations.**
- **The front cover of the appliance must never be opened before disconnecting the appliance from the mains power supply.**
- To protect the appliance, a circuit breaker or fuse must be fitted with a rating suitable for the nominal current of the appliance.
- The appliance must be permanently connected to the supply through an isolating switch with a contact separation of at least 3mm in all poles and be protected by a suitably rated RCD.
- The cross sectional area of the connection cable must be appropriate for the power rating and location of the appliance. See Technical Data.
- The connecting cable must be adequately secured.
-  This appliance must be earthed at all times.
- Check that the power supply is switched off prior to electrical connection.
- The appliance, its wiring and piping must not be modified in any way.
- In case of malfunction isolate the power supply immediately. In case of leaks also isolate the water supply. Repairs must only be carried out by Zip Heaters (UK) Ltd or an authorised Zip service engineer.
- Temperatures in excess of approximately 43°C are perceived as hot, especially by children, and may cause a feeling of burning.
- This appliance must not be used by any person (including children) with limited physical, sensorial or mental abilities or failing experience and/or knowledge unless they are supervised by a person responsible for their safety or received instructions about how to use the appliance.
- When the appliance has been in use for some time, the fittings may be very hot.
- If inlet temperature is up to 70°C (eg. fed from a solar supply) mixing with cold water will be required to ensure a safe temperature at the outlet.

- Children should be supervised in order to make sure that they do not play with the appliance.
- **CAUTION** 
- Optimum operation is ensured at a water flow pressure of 0.2 to 0.4 MPa (2-4 bar). The appliance must not be subjected to pressure exceeding 1.0 MPa (10 bar).
- The appliance must only be used when correctly installed and in perfect working order.
- The appliance must be installed in a frost-free room and must never be exposed to frost
- The CEX-0 and CEX-U range is not intended for use with thermostatic mixing valves or taps.
- The appliance must be completely filled with water before being switched on.
- Before commissioning for the first time and each time the appliance is emptied (e.g. due to work on the plumbing system or maintenance), the appliance must be vented by opening and closing the hot water tap until all air has been eliminated from the water heater and no more air emerges before re-connecting to the electrical supply.
- The appliance must only be used for heating potable water. The specific water resistance must not fall below the required value indicated on the rating plate. The appliance must not be used for any other purpose.
- Incoming water temperature must not exceed 70°C.
- The Zip InLine is intended for mains supply only. In any other case please contact Zip on 0845 6 005 005 for advice.
- **Zip Heaters (UK) Ltd cannot be held liable for any damages caused by failure to observe these instructions.**

Technical data

Model	CEX-O	CEX-U
	Over-sink	Under-sink
Application	Over-sink	Under-sink
Nominal supply voltage	1/N/PE 230V~	
Power Rating (kW)	6.6 / 8.8 ⁽¹⁾	
Rated Current (A)	29 (6.6kW) / 38 (8.8kW)	
Element type	Bare wire	
Rated pressure	1 MPa (10 bar)	
Temperature adjustment range	30°C - 55°C	
Maximum inlet temperature	70°C	
Factory set flow rate at 3 bar (l/min)	4.2	
Minimum flow rate (l/min)	2.0	
Maximum flow rate (l/min)	5.0	
Flow rate @ 38°C (l/min) ⁽²⁾	3.6 (6.6kW) / 4.8 (8.8kW)	
Flow rate @ 50°C (l/min) ⁽²⁾	2.5 (6.6kW) / 3.3 (8.8kW)	
Pressure loss @ 2.5 l/min @ 9.0 l/min	0.2 bar 1.3 bar ⁽³⁾	
Required specific water resistance @ 15°C	>1100 ohm.cm	
Dimensions H x W x D (mm)	294 x 177 x 108	
Maximum weight (kg)	2.7	
Rated volume (litres)	0.3	
Water connections (BSP)	1/2"	
Protection class	IP25	IP24

⁽¹⁾ Power rating selected at time of installation.

⁽²⁾ At 12°C incoming water temperature.

⁽³⁾ Without flow regulator

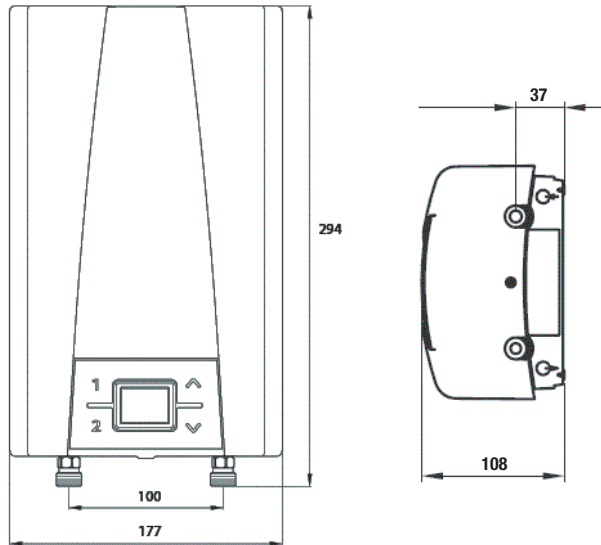
All data quoted at nominal supply voltage . Standard European voltage tolerances of -6% to +10% may be applied.

A minimum water pressure of 0.2 MPa (2 bar) is recommended for optimum performance.

Maximum flow rate will be achieved at a water pressure of 0.6 MPa (6 bar).

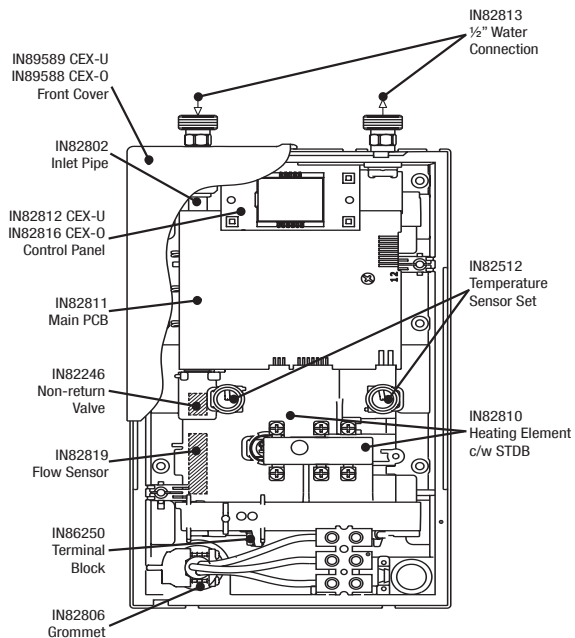
The appliance must not be subject to more than 1 MPa (10 bar).

Dimensions



Spare Parts

When ordering spare parts, please always specify the appliance model and serial number.



Installation

Requirements

- These instructions must be read and fully understood before commencing the installation. If in doubt, or in need of further guidance please ring Zip on 0845 6 005 005.
- Zip InLine water heaters must be installed by a competent person familiar with electric instantaneous water heaters.
- Installations must comply fully with UK Water Regulations and any Local Authority requirements.
- The electrical installation including earthing and cross bonding should comply with current IEE regulations and any Local Authority requirements.
- Zip InLine water heaters must be installed according to the specification on the rating plate and the technical specifications.
- To protect the appliance, a circuit breaker or fuse must be fitted with a rating suitable for the nominal current of the appliance. (See Technical Data Section on page. 4).
- The appliance must be permanently connected to the supply through an isolating switch with a contact separation of at least 3mm in all poles and be protected by a suitably rated RCD.
- The cross sectional area of the connection cable must be in accordance with the power rating of the appliance and the specific requirements of the installation site up to a maximum cable size of 10mm².
- Take care to protect the wiring from damage during installation and ensure that the wiring is not directly accessible after installation.
- Check that the power supply is switched off prior to electrical connection.

Installation site

- The installation site must be free from frost at all times.
- The appliance is designed for wall mounted installation. CEX-O for over-sink installation must be installed with the water connections downward. CEX-U for under-sink installation must be installed with the water connections upward.
- The appliance complies with protection class IP25 for over-sink installation, protection class IP24 for under-sink installation and may therefore be installed in protection zone 1.
- In order to minimise thermal losses, the distance between the appliance and the outlet fitting should be as short as possible. Recommended maximum distance 2 metres.
- For maintenance work a shut off valve should be installed in the water supply line to the heater.
- When considering the location of the heater, consideration should be given to the safe and visible disposal of any water resulting from leaks and seepage. This is particularly relevant when the heater is located in a cupboard or any concealed location. For guidance please call Zip Heaters (UK) Ltd on 0845 6 005 005.
- Hot and cold water connecting pipes should be WRAS approved and of copper or steel construction. Plastic pipes may only be used if conforming to DIN 16893 Series 2. The hot water pipes must be thermally insulated.
- The specific resistance of the supply water must be at least 1100Ωcm at 15°C. The specific resistance can be checked with the local water supply company.

Installing the appliance

1. Thoroughly flush the water supply pipes before installation to remove any water borne debris.
2. Hold the appliance on the wall and mark the drill lines at top and bottom, left and right, corresponding to the small notches at the edge of the front cover (see Fig 1).
3. Join the top and bottom marks vertically (A-A) and the left and right marks horizontally (B-B). The intersections of these lines are the drill points (see Fig 2).
4. Drill the holes using a 6mm drill then insert the dowels and screws provided leaving the screws protruding 5mm from the wall.
5. Hang the appliance with the screws engaging in the key-hole slots in the back plate until it clicks into place (see Fig 3).
6. Attach the water connecting pipes to the appliance water connections using ½” seals.
7. Ensure that all air is eliminated from the water heater by opening and closing the hot water tap until all air has been eliminated from the water heater and no more air emerges.

Fig. 1

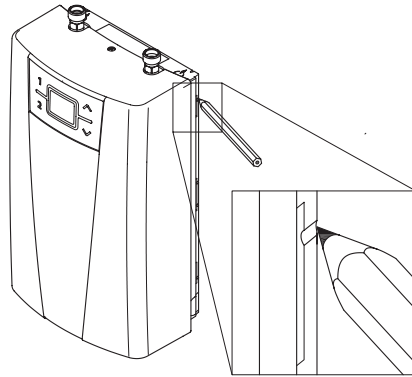


Fig. 2

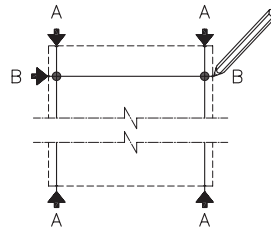
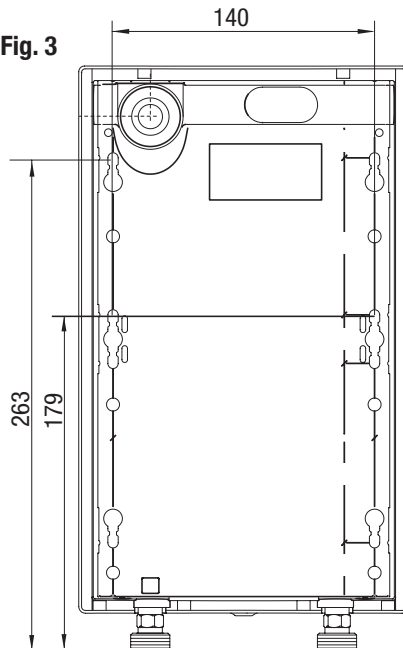


Fig. 3



Electrical connection

The electrical installation including earthing and cross bonding should comply with current IEE regulations and any Local Authority requirements.

The appliance must be installed according to the specification on the rating plate and the technical specifications.

The appliance must be earthed.

The appliance must be permanently connected to the electrical supply through an isolation switch having a contact separation of at least 3mm on all poles.

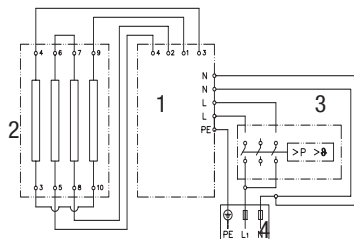
The cross sectional area of the connection cable must be in accordance with the power rating of the appliance and the specific requirements of the installation site up to a maximum cable size of 10mm².

Take care to protect the wiring from damage during installation and ensure that any uninsulated wiring is not directly accessible after installation.

To protect the appliance, a circuit breaker must be fitted with a rating suitable for the nominal current of the appliance.

Check that the power supply is switched off prior to electrical connection!

1. With the appliance cover removed insert the power cable through the water splash protection grommet in the backplate. The splash protection grommet must be used and free from damage.
2. Remove inner and outer insulation from the connecting cable to the lengths shown in Fig 4.
3. Secure the cable using the cord grip. The cord grip must be used.
4. Fit the connecting cables into the terminal block according to the wiring diagram above. Ensure all connections are fully tightened and secure.
5. Re-fit the appliance cover taking care not to trap the cable from the display panel and secure the cover with the fixing screw (see Fig 5).



Wiring Diagram

1. Circuit board
2. Heating element
3. Safety pressure switch and safety thermal cut-out
4. Terminal block

Fig. 4

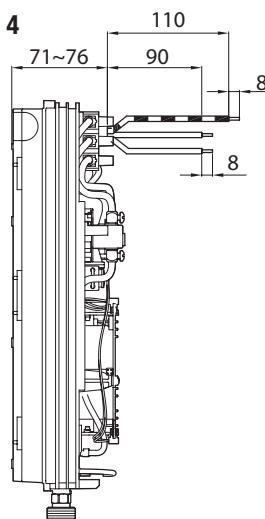
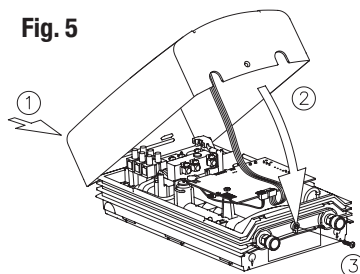


Fig. 5



Commissioning

CAUTION

To prevent damage to the appliance, the instantaneous water heater must be purged of air before using it for the first time.

PURGING

Before connecting the electrical supply, open and close the hot water tap until the water runs smoothly and no more air emerges.

NOTE! Every time the appliance is drained (e.g. after work on the plumbing system, if there is a risk of frost or following repair work), the heater must be purged in this way before reconnecting the power supply.

WARNING!  This appliance must be earthed.

If the appliance does not operate after connecting the power supply check that the safety thermal cut-out (STDB) did not trip during transportation. To do this open the cover and, if necessary, re-set the STDB by pushing the switch in (see Fig 6).

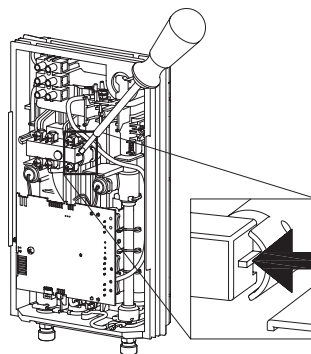
Note: Power Rating Selection

The maximum power rating of the appliance can be selected as either 8.8kW or 6.6kW at the time of installation. The unit will only commence normal operation after selection of the power rating. The maximum power rating should only be selected with reference to the technical data on page 4, after ensuring that correct cable sizing and fuse protection is in place and with regard to local site conditions and electrical regulations.

This should only be done by a competent installer.

1. Switch on the power supply to the appliance. The digital display will light up.
2. When switching on power for the first time “88” will flash on the display (see Fig 7). If not, please refer to the section “Reinstallation”.
3. Use the arrow up and arrow down keys to select the required maximum power rating. Display “88” for 8.8kW at 230V or display “66” for 6.6kW at 230V.
4. Press program key 1 to confirm the selection after which the appliance will start to operate.
5. Mark the set power rating on the product rating plate.
6. After selecting the maximum power rating, the heating element will activate after approximately 10 seconds of continuous water flow.

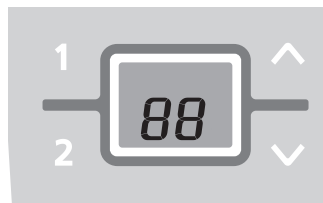
Fig. 6



Multiple Power System:

The maximum power rating is 8.8kW and can be changed to 6.6kW during installation.

Fig. 7



7. Open the hot water tap and check the appliance is functioning correctly.
8. Explain operation of the appliance to the end user and leave the operating instructions for their reference.
9. Complete the product registration card and return it to Zip Heaters or register the product on line at www.zipheaters.co.uk

Reinstallation

If the appliance is to be re-commissioned under different installation conditions it may be necessary to alter the maximum power rating.

This should only be done by a competent installer.

To re-set the maximum power rating use a screwdriver to short circuit the two pins as shown in Fig.8.

This will reset all heater parameters to factory settings.

Value “88” will flash in the display panel until the maximum power rating has been selected.

Lock level

Operation of the appliance can be restricted.

Refer to instructions under “Service Menu” to set the lock level.

This should only be done by a competent installer.

Activation of the Lock level:

1. Set the required lock level in the service menu (refer to instructions under “Service Menu”).
2. Disconnect the power supply to the unit.
3. Move the jumper on the main PCB from pin 2 to pin 1 (see Fig 9).
4. Reconnect the power supply to the unit.

Deactivation of the Lock level:

1. Disconnect the power supply to the unit.
2. Move the jumper on the main PCB from pin 1 to pin 2.
3. Reconnect the power supply to the unit.

Fig. 8

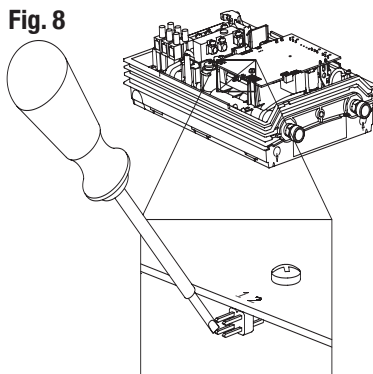
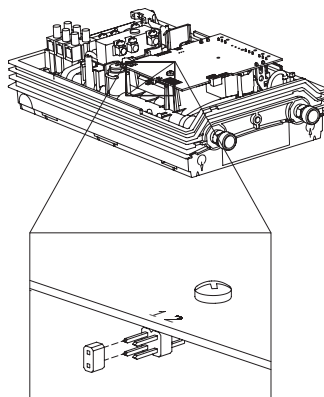


Fig. 9



Service menu

The service menu can be used for diagnostics and to view and configure appliance settings.

Press program keys 1 and 2 simultaneously for at least 2 seconds to enter the service menu confirmed by the display “FL” and flashing point (see Fig 10).

Scroll between menu items in the service menu using the arrow up and arrow down keys.

Press program key 1 to display the value of the currently selected menu item. The value flashes in the display.

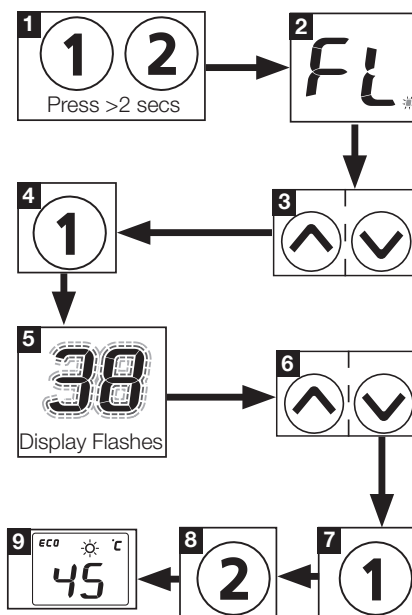
The values of some menu items can be displayed by using the arrow up and arrow down keys.

Press program key 1 to return to the menu item list.

Press program key 2 to exit the service menu and return to the standard display.

After two minutes without any key stroke the system automatically returns to the standard display.

Fig. 10



Menu item order of Service Menu:

	<i>FL</i>	Flow:	Flow rate (l/min)
	<i>PO</i>	Power:	Power consumption (kW)
	<i>t1</i>	Temp in:	Inlet temperature (°C)
	<i>t2</i>	Temp out:	Outlet temperature (°C)
	<i>CR</i>	Control value:	Calibration value of the control system (40 - 60)
	<i>PL</i>	Power limit:	Maximum power setting (kW)
	<i>Er</i>	Diagnostics:	Last ten diagnostic messages (see below)
	<i>LL</i>	Lock level:	Current lock level setting (see below)
	<i>rr</i>	Software version:	Installed software version
	<i>Ch</i>	Radio channel:	Radio channel of heater and remote control
	<i>rS</i>	Received strength:	Signal quality of remote control (10% - 100%)
	<i>llC</i>	Signal:	Quality of radio contact with diagnostic display

“Er”: Diagnostics

The last ten diagnostic messages can be displayed.

Pressing program key 1 displays the current error code. A key explaining the error codes can be found inside the front cover of the appliance.

The arrow up and arrow down keys can be used to view the last ten error codes displayed in chronological order from “0” to “9” alongside the corresponding error code with “0” being the most recent.

“LL”: Lock level

The operating mode of the appliance can be restricted.

Setting options:

“0” No restriction (factory setting).

“1” Disables “Reset to factory setting”. Parameters can be viewed but not modified in service menu.

“2” As “1”, additionally service menu cannot be displayed.

“3” As “2”, additionally program 1 and 2 set temperature values cannot be changed

“4” As “3”, additionally set temperature value on appliance cannot be changed.

Note: when lock level 1, 2, 3 or 4 is selected the system parameters cannot be modified in the service menu.

In order to modify system parameters it is necessary to remove the jumper from the main PCB as described under “Deactivation of the Lock level”.

Operation

The appliance switches on automatically when the hot water tap is opened and switches off automatically when the hot water tap is closed.

Temperature setting

The required outlet temperature can be adjusted gradually to a higher or lower value with the up arrow and down arrow keys.

Pressing a key once briefly changes the temperature by 0.5°C between 35°C and 42°C and by 1°C outside that range.

Pressing a key for a longer time changes the temperature continuously.

The required outlet temperature can be adjusted between 30°C and 55°C.

Note: reducing the temperature below 30°C displays “- -” and the heating function will not operate.

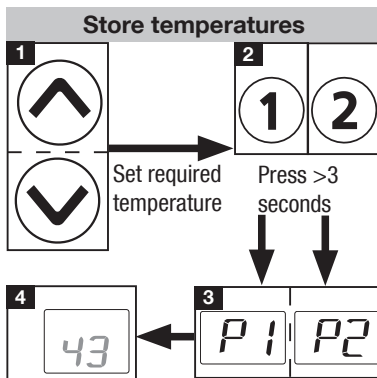
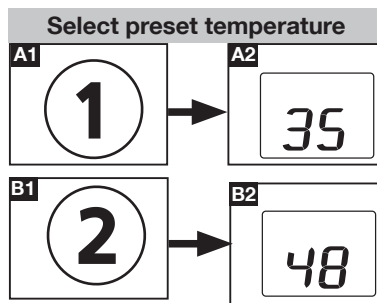
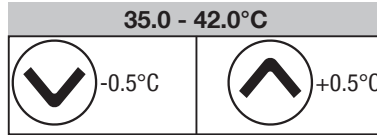
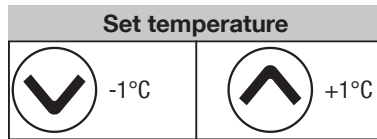
Program buttons

The two program keys allow a preset temperature to be selected quickly.

The factory setting is 35°C for program 1 and 48°C for program 2.

The preset temperature can be changed to the current temperature setting by prolonged pressing of the program key.

The display changes from “P1” or “P2” to the new temperature value which becomes available each time the corresponding program key is pressed.



Temperature limitation

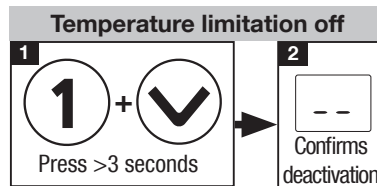
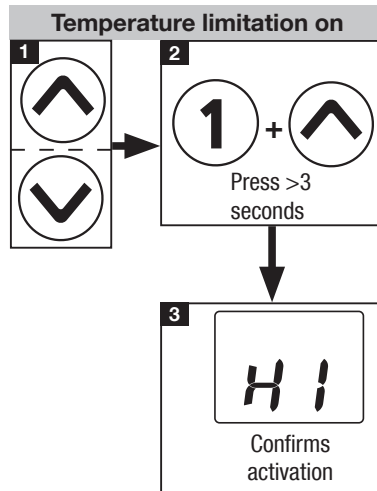
Units are supplied with the temperature limitation function deactivated.

To activate, select the limit temperature then press the program 1 and up arrow function keys simultaneously for at least 3 seconds.

“HI” is displayed briefly to confirm activation.

To deactivate, press the program 1 and down arrow function keys simultaneously for at least 3 seconds.

“- -“ is displayed briefly to confirm deactivation. Note: Programmed temperature settings may need to be reset after deactivating temperature limitation.

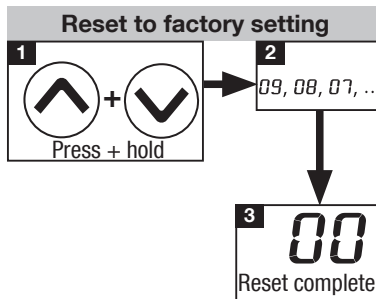


Reset to factory setting

To reset to factory settings press the up arrow and down arrow function keys simultaneously. The display will count backwards from “10” to “00” in one second intervals.

The appliance is reset when the counter reaches “00”.

Releasing the function keys earlier will cancel the process.



Energy saving

Set the required hot water temperature on the appliance.

If the water is too hot reduce the temperature on the appliance instead of mixing with cold water.

Any cold water added is not controlled by the electronic circuitry meaning that precise temperature control can no longer be guaranteed.

Note! Adding cold water wastes the energy used to heat the water. This unit is not intended for use with thermostatic mixing valves or taps.

Power limit

If the maximum power available from the appliance is insufficient to heat the volume of hot water being drawn off to the required temperature this will be indicated by “MAX” on the display.



Reducing the flow rate will enable the required temperature to be delivered.

Operation with solar systems

The appliance is suitable for use with solar heating systems providing appropriate controls are in place to ensure that the temperature of the water entering the unit does not exceed 70°C.



If the inlet temperature exceeds the set point, the “SUN” symbol on the display indicates that the heating power is switched off.

Maintenance and cleaning.

General cleaning

Do not use strong, corrosive spray or abrasive cleaners / chemicals.

Clean the casing, tapware, external filter, piping and all other fittings with a soft cloth and mild soap and water.

Do not spray water over the tap as it may damage the low-voltage electronics.

Caution: Should any of the plastic fittings accidentally come into contact with cleaners with a PH level less than 4, hypochlorite, hydrogen peroxide or any other aggressive chemical the affected component must be replaced immediately.

Undersink units must never be located near, or cleaned with water jets. Avoid using airborne pesticides near the undersink unit.

NOTE!

Maintenance work must only be carried out by a competent person familiar with instantaneous water heaters.

Outlet fittings (jet regulator Fig. 5) should be unscrewed from the tap nozzle and cleaned at regular intervals.

- Rinse the regulator with water and brush off the debris. For difficult to remove deposits, soak in white vinegar (or a proprietary scale cleaner) for a few minutes and scrub with a toothbrush.

- If any parts are cracked or broken, replace them. If the washer has hardened, it should be replaced.
- With the debris cleaned out, screw the regulator back into the tap. Hand tightening should be adequate.

The electrical and plumbing components should be inspected regularly by a competent person to ensure proper functioning and operational safety.

Water quality should be considered when determining the frequency of inspection.

Each time the appliance is emptied (e.g. due to work on the plumbing system, if there is a risk of freezing or in case of maintenance), the appliance must be purged by opening and closing the hot water tap until all air has been eliminated from the water heater and no more air emerges before re-connecting to the electrical supply.

Fault finding

Repairs should only be carried out by competent persons familiar with electric instantaneous water heaters.

All service work should be performed by an authorized Zip service engineer – for details of the full range of services available call Zip Service on 0845 6 005 005.

When calling for service, please always specify the appliance model and serial number.

The following table will be helpful in determining the causes of some common problems and their solutions.

Problem	Cause	Solution
Water stays cold	Circuit breaker tripped	Reset circuit breaker
	STDB tripped	Contact Zip Service to reset STDB
Display flashes error message 'ER'	Control system has switched off	Switch power supply off and on. If 'ER' still flashes contact Zip Service
Poor hot water flow rate	Outlet fitting dirty or calcified	Clean shower head or tap nozzle
	Fine filter dirty or calcified	Contact Zip Service to clean fine filter
Selected temperature not achieved 'MAX' lights up	Excessive water flow rate	Reduce water flow rate at the outlet
Selected temperature not achieved 'MAX' does not light	Cold water has been added at the outlet	Set for required temperature and tap hot water only
Symbol 'SUN' flashes	Inlet temperature exceeding set point	Reduce inlet temperature
Water heats up but display fails to operate	Display lead plug not properly connected	Contact Zip Service to connect display lead correctly

Warranty

The Zip appliance you have chosen is precision-built from the finest materials available and should give many years of trouble free service.

Certain warranties may be implied by law into your contract with Zip. The warranty provided below is additional to these implied warranties and nothing set out below shall limit your statutory rights or rights at law.

Zip Heaters (UK) Ltd warrants that, should any part fail within 12 calendar months of installation, that part will be repaired or replaced free of charge by Zip or its Distributor or Service Provider, except as set out below, provided the appliance is installed and used strictly in accordance with the instructions supplied, and that failure is not due to accident, misuse, abuse, unsuitable water conditions, or to any alteration, modification or repair by any party not expressly nominated by Zip.

No costs are payable by the customer other than any mileage or travelling-time charges incurred by a Zip Service Provider or the cost of removal, cartage and re-installation of any component of the appliance if it needs to be returned for repair to Zip or its Distributor.

This warranty does not cover damage resulting from non-operation of the appliance or consequential damage to any other goods, furnishings or property.

Zip does not exclude, restrict or modify any liability that cannot be excluded, restricted or modified or which cannot, except to a limited extent, be excluded, restricted or modified as between the owner or user and Zip under the laws applicable.

Furthermore, this warranty does not displace any statutory warranty, but, to the extent to which Zip is entitled to do so, the liability of Zip under any statutory warranty will be limited at Zip's option to the replacement of the appliance or supply of equivalent appliance, the payment of the cost of replacing the appliance or acquiring an equivalent appliance, or the payment of the cost of having the appliance repaired or the repair of the appliance.

NOTE: It is our policy to continually improve products and as such we reserve the right to alter data, specifications and component parts without prior notice.

To ensure you have the latest revision of this instruction manual, please visit www.zipheaters.co.uk to download the latest copy.

IMPORTANT: No liability is accepted for incorrect use of this product.



The use of this crossed out wheeled bin logo indicates that this product needs to be disposed of separately to any other household waste.

Within each of the European Union member countries, provisions have been made for the collection and recycling of unwanted electrical and electronic equipment.

In order to preserve our environment we ask that you dispose of this product correctly. Please contact Zip Customer Service for advice on 0845 6 005 005.