

BC 2003BM

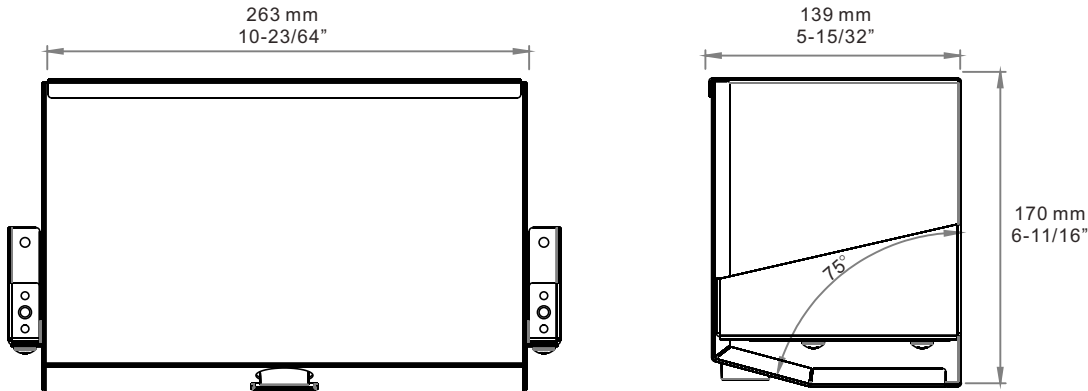
Dolphin Velocity Behind Mirror Dryer

User Manual

Please read carefully before use



Surface Mount



TECHNICAL SPECIFICATIONS

ITEM CATEGORY

PERFORMANCE DATA

Operating Voltage	220-240 Vac, 50/60 Hz, 0.84-1.0 kW
Cover	Steel (t:1.2mm)
Air Output Temperature	55°C (131°F) – Ambient Temp. 25°C (77°F)
Warm Air Speed Output	90 m/s (201.3 mi/h)
Dryer shall Deliver	101.7 m ³ /h, (59.8 CFM)
Motor Type	11/16HP, 500W, 29000 R.P.M., Brush Type, Dual Ball Bearings
Motor Thermal Protection	Auto Resetting Thermostat turns unit off at 105°C [221°F]
Heater Element	500W
Heater Thermal Protection	Thermal cut-off at 139°C [282°F]
Drying Time	Less than 15 seconds
Stand-by Power	Less than 0.5W
Circuit Operation	Infrared Automatic, self adjusting
Sensor Range	Standard 7" [170 mm±20 mm], Adjustable, The range is 100 ~ 230 mm
Timing Protection	60 seconds auto shut off
Drip proof	IPX1 ▲
Isolation	CLASS 1
Net Weight	4.5 kg [9.9 lbs]
Shipping Weight	5.2 kg [11.4 lbs]
Unit Size	263 mm W x 170 mm H x 139 mm D [10-23/64" W x 6-11/16" H x 5-15/32" D]

General safety information

⚠ WARNING *This product is intended for installation by a qualified service person. Use 1.2 mm² (220-240Vac), AWG NO. 12 (110-120Vac) solid conductor for wiring.*

⚠ WARNING *Disconnect power at the service breaker before installing or servicing. NOT FOR HOUSEHOLD USE - MAY CAUSE BURNS. " IMPROPRE A L'USAGE DOMESTIQUE - PUET OCCASIONNER."*

⚠ DANGER *Failure to properly ground unit could result in severe electrical shock and/or death.*

⚠ WARNING *All units must be supplied with a 3-wire service. The ground wire must be connected to the dryer's backplate.*

NOTE: We do not recommend that this dryer is installed above a basin. If you are installing this dryer above a basin you need to satisfy yourself that reflection won't occur

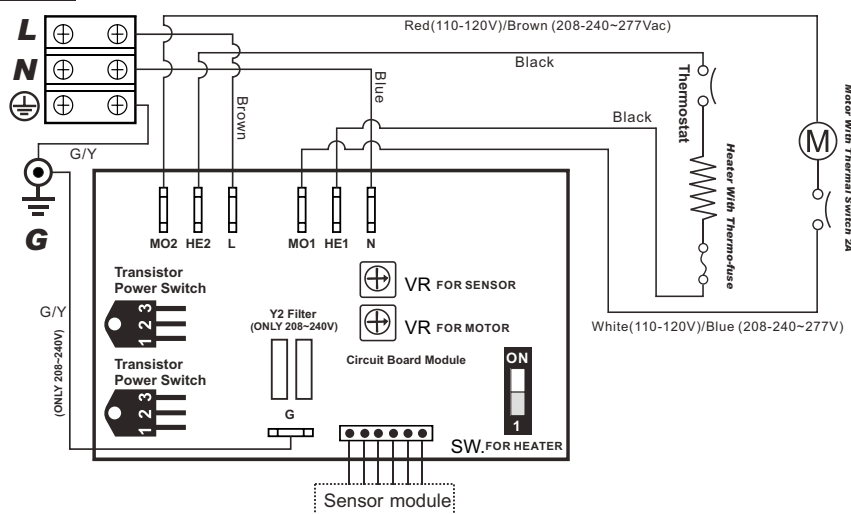
[Type Y attachment]

If the power supply cord is damaged, it must be replaced by the manufacturer or its service agent or a similar qualified person in order to avoid a hazard. Means for disconnection must be incorporated in the fixed wiring in accordance with the wiring rules.

This appliance is not intended for use by persons (including children) with reduced physical, sensory or mental capabilities, or lack of experience and knowledge, unless they have been given supervision or instruction concerning use of the appliance by a person responsible for their safety.

Children should be supervised to ensure that they do not play with the appliance.

Circuit Diagram

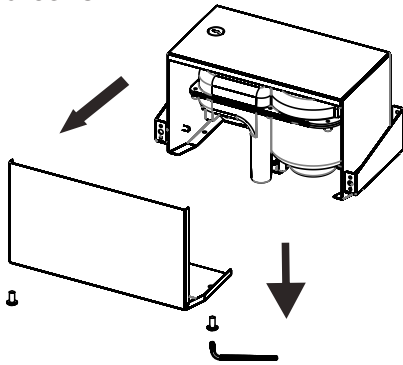


Installation

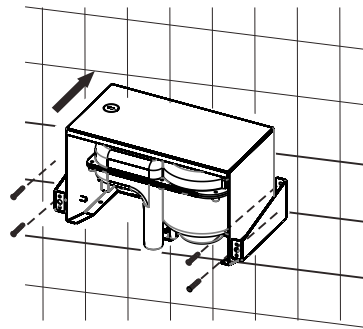
1. Make sure power supply breaker is switched off. Installation must be carried out in accordance with the current edition of the local wiring regulations code having jurisdiction. Installation should be performed only by a qualified electrician.
2. Place template against wall at desired height (see mounting height recommendations) and mark locations of 4 mounting holes and wire service entry at knockout (KO) location.

Note: For two or more dryers, dryers should be no closer than 24 inches (610 mm) on center.

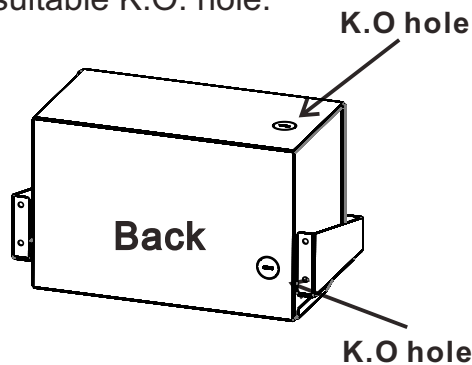
1. Remove and retain 2 cover screws and cover.



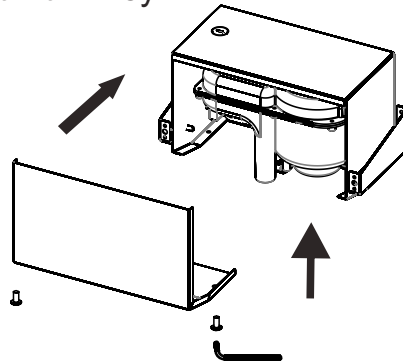
4. Fix the part to the wall with 4 screws of 1/4 x 1-3/4" dimension.



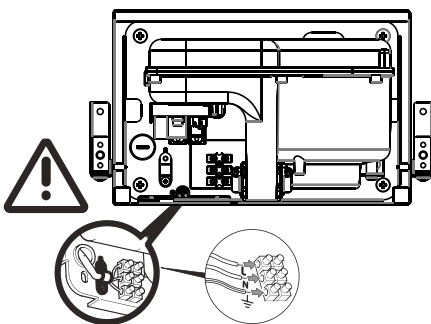
2. Insert the power cord into the suitable K.O. hole.



5. Put the front cover back and screw it with L key.



3. Connect the wire into terminal as below:



Connections:

- A. Connect the live wire (colored red or brown) to the terminal block marked "L".
- B. Connect the neutral wire (colored black or blue) to the terminal block marked "N".
- C. Connect the ground wire (colored green and yellow) to the green screw marked "⊕".

Diagnosics and Remedies

Symptom	Corrective Actions for Initial Installation Failures
If the dryer will not run	First ensure that the breaker supplying the dryer is operational. If it is, disconnect the power and remove the dryer cover. Taking suitable precautions to avoid shock hazard, reconnect the power and check for Voltage at the terminal block. Verify that connections are made correctly.
The dryer cycles by itself or runs constantly	Ensure that there is no obstruction on or in front of the IR sensor. Clean any dirt or debris off the sensor lens. If problem persists, replace sensor.
The dryer makes a loud noise and does not run for a complete cycle	Ensure that the supply Voltage is correct. Dryer will make a loud humming noise if the input Voltage is too high. Verify Voltage requirement on unit rating label and correct supply as required. If CBM has been damaged, replace CBM, IR sensor module and VR component and cable.
The dryer runs but air stream is low pressure and/or low velocity	Ensure that the supply Voltage is correct. Dryer will run weakly if the input Voltage is too low. Verify Voltage requirement on unit rating label and correct supply as required.

Symptom	Corrective Actions for In-Service Failures
If the dryer will not run	First ensure that the breaker supplying the dryer is operational. If it is, disconnect the power and remove the dryer cover. Replace the CBM and IR sensor module. Taking suitable precautions to avoid shock hazard, reconnect the power and check for Voltage at the terminal block.
The IR sensor only "sees" close range objects	Ensure that there is no obstruction on or in front of the IR sensor. Clean any dirt or debris off the sensor lens. If problem persists, disconnect the power and remove the dryer cover. Taking suitable precautions to avoid shock hazard, reconnect the power and try carefully adjusting the sensitivity control (yellow shaft in blue box on CBM) to increase the sensing range. If problem persists, replace sensor.
The heater gets hot but no air stream is produced	Disconnect the power. Remove the dryer cover and disassemble the blower-motor/fan housing. Replace the fan motor.
The dryer only blows cold air during a full cycle	Disconnect the power. Remove the dryer cover and disassemble the blower-motor/fan housing. Test the thermostat for open circuit. Check the heater element for signs of burning or breakage. Damaged element must be replaced.
The air stream is low pressure and velocity	Check the output nozzle for obstructions. If none are present, disconnect the power. Remove the dryer cover. Remove any dust/lint buildup from intake vent slots. Disassemble the blower-motor/fan housing. Check the motor brushes for worn condition ($\leq 1\text{-}3/16"$ [30 mm] graphite remains) and replace them, if necessary.

Warranty

LIMITED THREE-YEAR WARRANTY

Please see our website by following this link: <http://www.dolphindispensers.co.uk/> or contact our customer service team on 01424 202224 for more details.

Recommended mounting heights

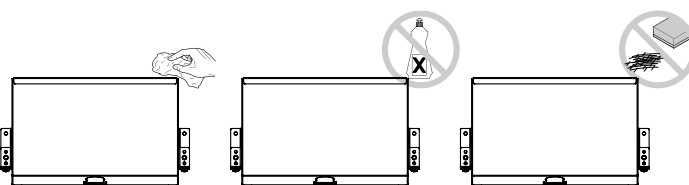
- from bottom edge of dryer above finished floor (AFF)

Men	1000 mm	(40")
Women	960 mm	(38")
Children 4-7 years	812 mm	(32")
Children 8-10 years	860 mm	(34")
Children 11-13 years	910 mm	(36")
Children 14-16 years	960 mm	(38")
Handicaped	860 mm	(34")

Cleaning and Maintenance



Periodic cleaning of the unit is recommended to ensure optimum performance.

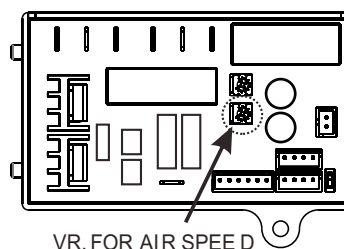
- Disconnect the electrical supply.
- Remove the two cover-mounting screws.
- Remove the cover.
- Clean all dust lint from the interior of the dryer.
- Wipe the cover with a damp cloth and mild cleaning solution. Do not Soak. Never use abrasives to clean the cover.
- Replace the cover. Do not over tighten the screws.



'Unit should be mounted to give no less than 300mm clearance from the bottom of the unit to the nearest surface below'

Warm air speed adjustment

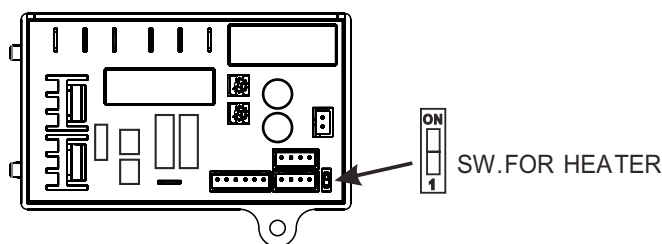
1. Switch off the power, loosen the cover screws and remove the cover.
2. Use small Philips head screwdriver or plastic flat blade probe to turn VR shaft. Clock-wise [CW] to increase power to maximum (+) , turn tool gently [CCW] to reduce power as required (-) .



VR. FOR AIR SPEED D



Heater Element Switch ON/ OFF

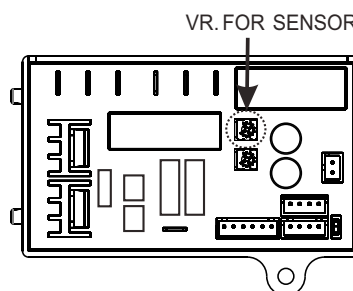
1. Switch off the power, loosen the cover screws and remove the cover.
2. Adjust the heater switch on the PCB with a small plastic or wood flat blade probe.
 - 2-1. Slide the switch to "ON" :Enables heater on.
 - 2-2. Slide the switch to "1" :Disables heater.



SW. FOR HEATER

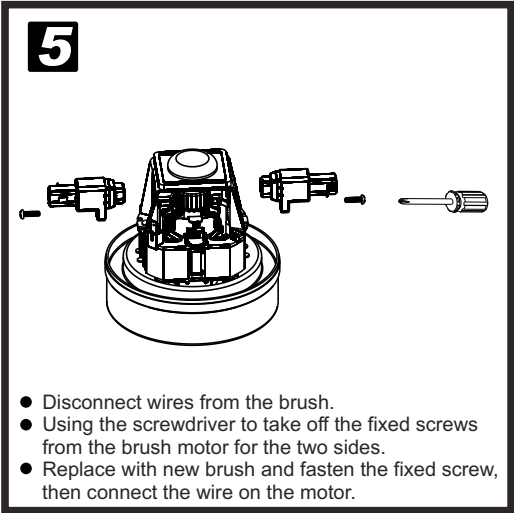
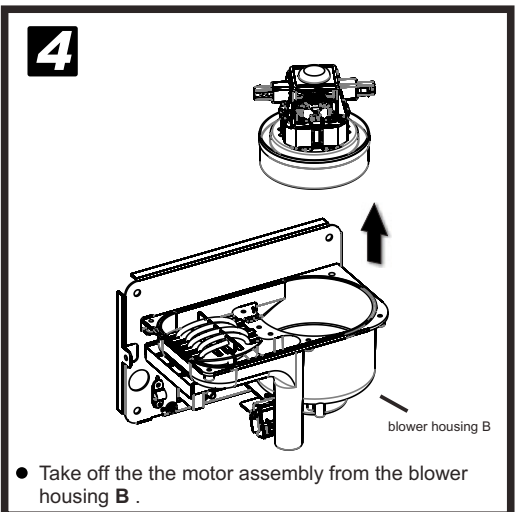
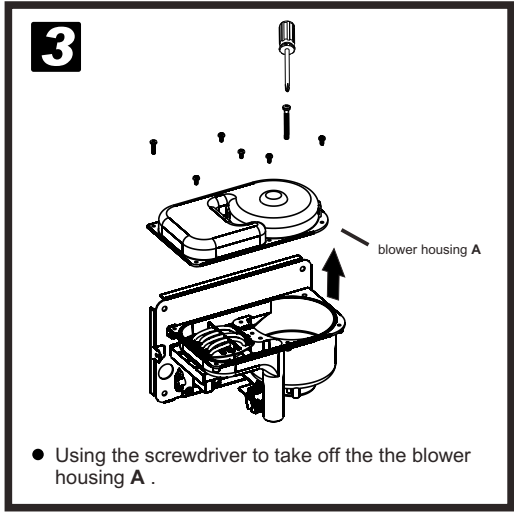
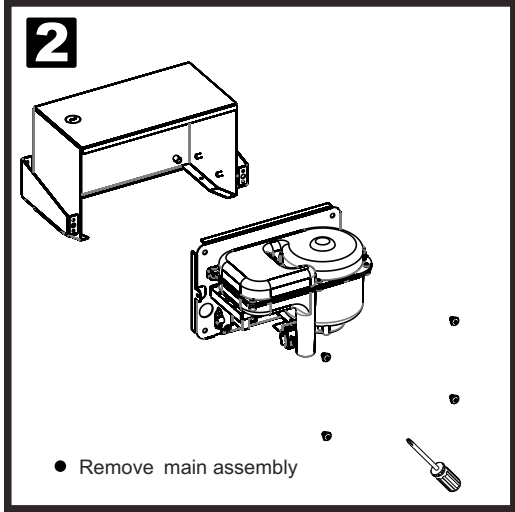
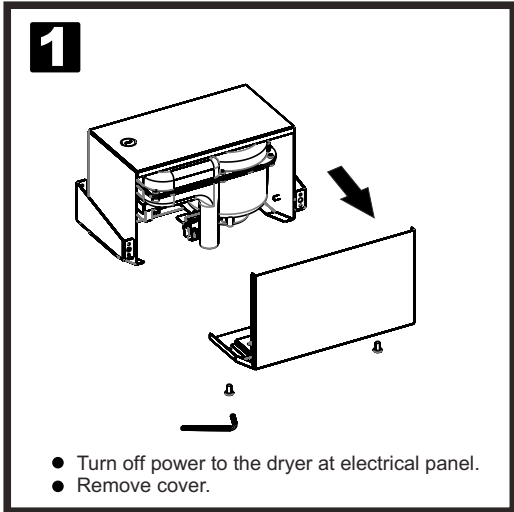
Sensor range adjustment

1. The range is 4" to 9" [100 mm to 230 mm], standard setting is 6" [170 mm ± 20 mm]
2. Clockwise: Increases the sensing range(+) 
3. Counterclockwise: Decreases the sensing range(-) 
4. DO NOT OVERTURN!



VR. FOR SENSOR

Brushes replacement



Important Information

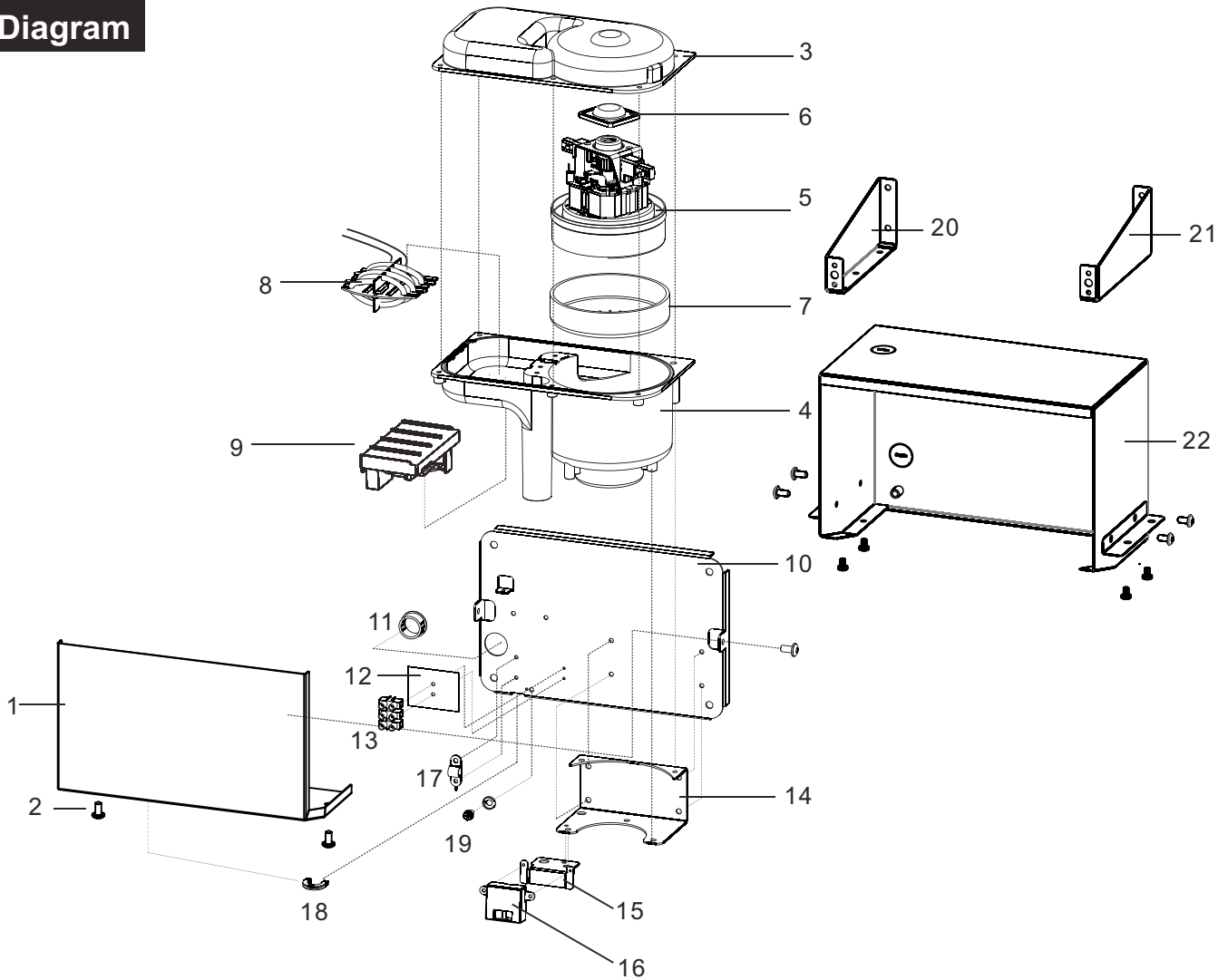
This Product falls within the scope of the Waste Electrical & Electronic Equipment Directive 2002/96 EC. (WEEE)



NOTE: This Product should not be disposed of with household waste. Please recycle where facilities exist. Check with your local authority for recycling advice.

THIS UNIT MUST BE FITTED AND SERVICED BY SUITABLY QUALIFIED PERSONNEL

Diagram



Repair parts list

Key	Description	Key	Description
01	Enclosure (Casing)	12	Insulation Mylar
02	Security hex screw	13	Terminal block
03	Blower housing (Upper)	14	Blower mounting bracket
04	Blower housing (Below)	15	Sensor bracket
05	Motor, 240Vac@500W	16	Sensor
06	Motor rubber (Upper)		Sensor (blue)
07	Motor rubber (Below)	17	Cable clamp
08	Heater assembly, 240Vac@500W	18	Cable Protector
09	Circuit Board Module (CBM), 220-240Vac	19	Grounding Screw
10	Base plate	20	Left box bracket
11	Nylon hole bushing	21	Right box bracket
		22	Box

Bell-Chem Products Company
Southpoint, Compass Park, Bodiam, Robertsbridge TN32 5BS

Tel: 01424 202224
Fax: 01424 205200
www: dolphindispensers.co.uk
info@dolphindispensers.co.uk

