

Zip HydroTap[®] G4

Boiling | Ambient | Filtered | Instantly | + Hot/Cold

Commercial 4-In-1 models BAH160G4, BAH240G4

With new Zip G4 power-saving technology and Zip 0.2 micron filtration.



Square BAHS (left) and Tall BAHT (right) mixer tap options



Alternative: installed away from sink on a ZT008 'font'.



New under-sink Zip Command Centre™ leads the world in time-saving and energy-saving technology, reducing standby energy consumption substantially over earlier models of similar capacity.

Typical Specification

"Under-sink boiling and ambient filtered water appliance equipped with boiling/ambient tap and separate hot/cold mixer plus integral 5 bar pressure limiting and dual check valve, 0.2 micron water filter, and interactive touch screen display with password protection and two boiling water safety modes."



Zip HydroTap 4-In-1 on sink with Classic mixer.

Boiling and ambient filtered water, plus hot & cold. Separate taps for boiling/ambient and hot/cold.

No separate hot water supply needed. This vented system mixes boiling water with cold water for its hot water supply.

Adjustable water temperature: boiling water 100°C to 68°C.

Power-Pulse™ electronic technology controls the set boiling water temperature within 0.2°C.

Choice of fingertip control for fast cup filling (lever down) or **hands-free** pot filling (lever up).

Two safety modes. Can be set to require finger-thumb operation for boiling water access, eliminating the risk of accidental use. Can also be set to place boiling water in "isolation mode" for added safety.

Low-energy lights signal when boiling water is ready, or filter change is due.

Hidden light sensor sends appliance to sleep to conserve energy whenever the room goes dark.

Sleeps at 64°C or powers OFF after 2 hours of non-use. **Plus inbuilt**

24/7 on/off timing allowing power to be turned off for weekday or weekend periods.

Zip 0.2 micron filter puts crystal-clear, better-tasting water on tap, filtering out chlorine taste and odour, lead, and impurities as tiny as one five-thousandth of a millimetre, including protozoan cysts such as Cryptosporidium but does not remove beneficial fluoride.

Zip HydroTap 4-In-1 models with new Zip G4 power-saving technology.

Classic	Model		Boiling Cups/hr	Rating (kW) @ 230 V	Dimensions W x D x H (mm)
	Tall	Square			
BAH160G4	BAHT160G4	BAHS160G4	160	1.85	280 x 313 x 335
BAH240G4	BAHT240G4	BAHS240G4	240	1.85 + 2.2 (b)	280 x 313 x 335

Standard Cup = 167 ml.

(a) Order codes shown here are for boiling/ambient tap installed on a sink. To install boiling/ambient tap on a 'font' also specify a font kit: order code ZT008.

(b) Model 240G4 is installed with an externally mounted 2.2 kW booster unit and must be connected to two separate 13 amp fused spurs.

Boiling System

Open outlet, vented system, factory set to operate at 98°C.

Flow rate 4.0 l/min.

Location

Both taps should be positioned so they drain into a suitable sink. Alternatively the boiling/ambient tap can be installed away from any sink on its own 'font'. The boiling/ambient tap should be situated as closely as possible to directly above the under-sink Command Centre. Maximum distance from the base of the tap to the Command Centre is one metre. Command Centre must have clearances as shown on the drawings.

Plumbing

Must be installed in accordance with UK Water Supply Regulations.

Designed for direct connection to a potable (drinkable) cold water supply with a minimum pressure of 2.0 bar. A 5 bar pressure limiting valve is fitted internally. An isolating valve should be installed between the water supply and the Command Centre.

Electrical

Installation must comply with current IEE regulations.

Model 160 to be wired to a double pole 13 amp fused spur.

Model 240 is installed with an externally mounted 2.2kW booster unit and must be connected to two separate double pole 13 amp fused spurs.

Caution

In hard water areas where mineral scale accumulation may be an issue, consideration should be given to the maintenance required. We recommend use of the Zip Professional high performance limescale filtration system.

Accessories

ZT008 – Zip G4 font installation kit.

ZT402 – Zip 0.2 micron replacement filter.

To order any model to be supplied with extension levers and Braille pads, add D to the end of the Order Code.

Approvals

CE endorsed

Technical Support

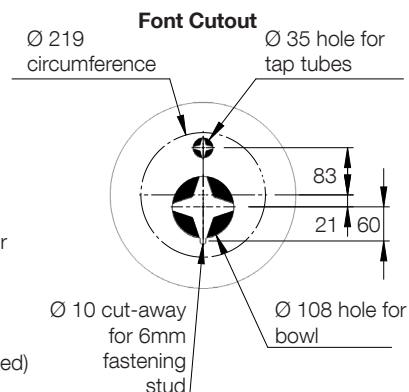
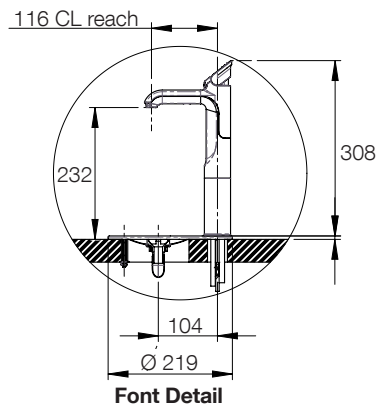
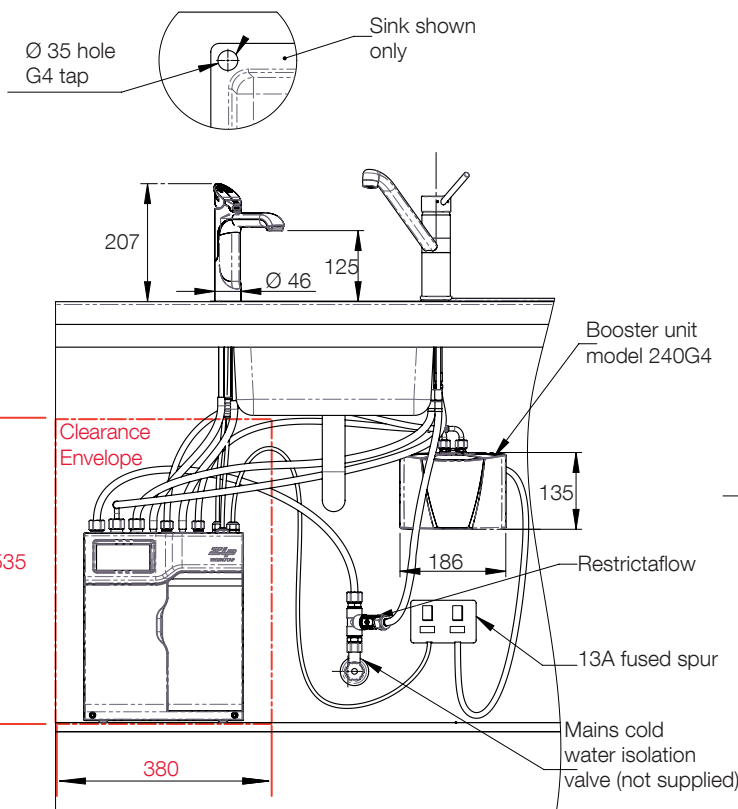
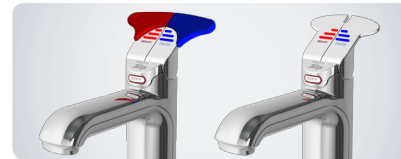
Contact Zip on:

Tel: 0845 6 005 005

e-mail: service@zipheaters.co.uk

Five Year Warranty

Appliance warranty 24 months, plus additional 36 months tank warranty. See website for details.



Dimensions in mm

As Zip policy is one of continuous product improvement changes to specifications may be made without prior notice. The terms 'Zip', 'Power-Pulse', 'HydroTap' and 'Command Centre' are trade marks.