

TABLE 1	2.6 kW System		TABLE 2	2.6 kW System
Rated Voltage (V)	115	230	Heated Zone	12-21m ²
Rated Current (A)	22.6	11.3	<i>This area heated figure is based on a mounting height of 2.8m.</i>	
Fuse/Circuit Breaker Rating (A)	32	16		

RATED POWER	PART NO.	ELEMENTS	FRAME
2.6 kW (4 x 650 W)	HT-2600W	Four white FTE ceramic elements	Stainless steel body

INSTALLATION AND OPERATING INSTRUCTIONS

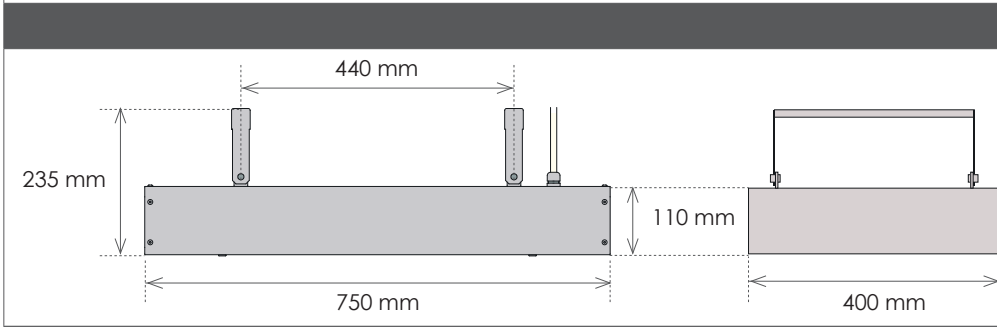
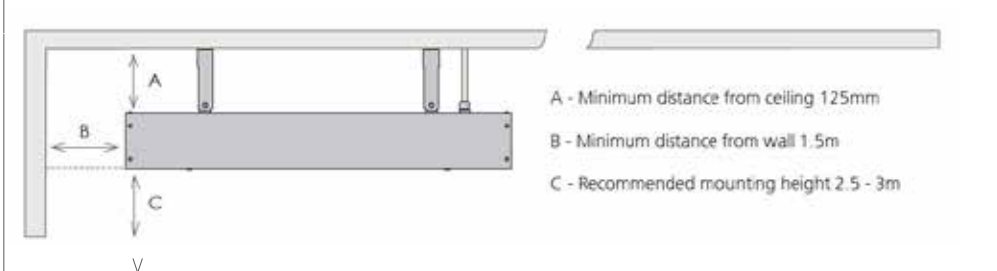
The Herschel IRP4 is revolutionising the industrial heating market. It is competitively priced, easy to install and maintenance free.

The Herschel IRP4 consists of 4 highly emissive ceramic heating elements mounted in a directional, reflective unit. It provides effective zone heating in large indoor spaces using infrared heat.

Infrared Heat is a 100% natural radiating heat that humans easily absorb, producing a feeling of great comfort and well-being. Infrared Heat produced from the IRP4 warms you directly without heating the air in between; meaning the heat goes where you want it to and doesn't just convect upwards to heat the ceiling.

The heater will directly warm people within the lower range of the Heated Zone (note: air movement may reduce area coverage). Within enclosed areas the thermal mass of the building will also be heated within the entire zone. Dependent upon the property age/type, insulation levels, number of heaters used and running times this will increase the ambient temperatures. For larger commercial projects or where different mounting heights are required we would always recommend Herschel carry out a survey or detailed desktop assessment.

DIAGRAM 1



IMPORTANT

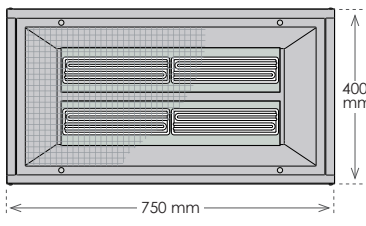
In areas with air movement/wind the directional Far Infrared spread may reduce by 1/3 to 1/2. In these areas we recommend mounting at the lowest height and proportionally increasing the number of heaters.

The Herschel IRP4 rises to very high temperatures in use and the unit (in particular the heater elements) must not be touched when power is applied.

Do not touch the unit when it is on. After switch off the elements remain hot for a considerable time and the unit should not be touched for a minimum of 30 minutes. NEVER use the heater to ignite materials. Ensure supply voltage does not exceed 245 volts.




- 4 Ceramicx FTE Ceramic Elements
- Grill Protected
- Element Colour White
- Stainless Steel Body
- Aluminised steel reflectors
- Panel Size 750 x 400x 110 mm -11.3kg
- Heating Up Time < 5 Minutes
- Useful Wavelength Range 2 - 10 µm
- IP rating: IP20





IMPORTANT INFORMATION

Please read the following information fully, as safe and reliable operation depends on correct installation. Please keep this instruction sheet for future reference.

The AC mains supply is dangerous and potentially lethal. Ensure the mains supply is switched off at the consumer unit (fuse box) before attempting any work on electrical circuits. Wiring to this unit must be connected in accordance with the relevant national electrical safety standards. This unit must only be installed by a competent and qualified electrician. This appliance must be earthed.

ELECTRICAL INFORMATION

The electrical supply to the unit should be provided by connecting to a circuit, which is protected by a fuse or miniature circuit breaker suitable for the electrical rating of the unit and in accordance with Table 1.

The supply to the Herschel IR must be separately switched. Alternatively a switched fused spur taken from a ring main can be used. The spur fuse should also be rated in accordance with the appropriate table. In either case the switch used to operate the Herschel IR must be indoors and readily accessible.

The cable used to connect to the existing wiring should be correctly rated solid core wiring cable. Please note that the use of flexible appliance cable with stranded conductors for permanent wiring (except for the final connection between a cable outlet and the fixed equipment) is prohibited by IEE wiring regulations. Where applicable, these regulations preclude the use of a 13A plug and socket for powering the Herschel IR. For the final connection to the Herschel IRP4, only the flexible cable and cable entry supplied with the unit must be used. The cable must connect to the supply in a suitable enclosure or cable outlet designed for that purpose. The cable outlet current carrying capacity must be greater than the recommended fuse current rating given in Table 1.

Suitable conduit or mechanical protection must be used through the wall to protect the cable from the mechanical damage within the wall. The mounting position of the unit must ensure that any mechanical damage to the flexible cable is unlikely. If physical damage to the cable is possible, suitable conduit protection must be provided.

MOUNTING POSITION (see Diagram 1)

The IRP4 must be located in a position to allow proper and efficient use but one that ensures hot parts are not touched accidentally. The recommended installation height of the IRP4 is 2.5m to 3m (98"-118") from the floor and under no circumstances is it to be installed at less than 1.8m (71") from the floor. In all cases it should be installed at a height where it cannot be touched in operation.

Consideration should be given to any temporary or occasional additions such as stages or platforms, and the height should be adjusted accordingly.

The Herschel IRP4 should be firmly and permanently attached using the brackets provided with a minimum clearance of 125mm (4.9") between the top surface of the heater and the ceiling. Brackets must be attached to a solid surface capable of supporting the weight of the heater (11.3kg).

Install the heater so the supplied mains cable cannot contact the top surface of the heater during operation.

The BROWN wire is to be connected to LIVE ('L'), the blue wire to NEUTRAL ('N') and the GREEN/YELLOW wire to EARTH ('E').

The unit is IP protected up to protection level IP20.

EXTERIOR USE

It is not approved for exterior use.

WARRANTY

The Herschel IRP4 is guaranteed against failure due to faulty materials or workmanship for five years from date of purchase. In the unlikely event of failure of the unit within this time, the unit must be returned to the supplier for repair or replacement.

The Herschel IRP4 contains no customer usable parts. The guarantee is invalid if the correct installation instructions have not been adhered to.

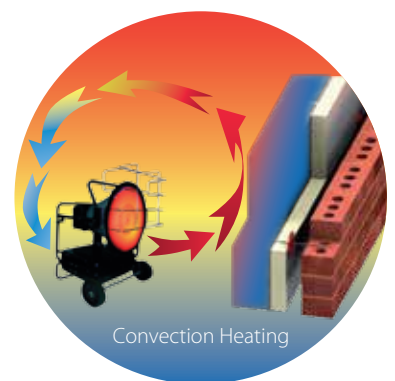
MAINTENANCE

The Herschel IR is maintenance free but to maintain appearance it should occasionally be cleaned all over with a soft dry cloth. No abrasive cloths or cleaners should be used and appliances such as pressure washers, steam cleaners, etc, should never be used.

Cleaning should only be done when the unit is cold and switched off. All personnel cleaning and maintaining the unit must have suitable training and information to carry out the operation safely.

IMPORTANT NOTICE TO PURCHASER

Before utilizing the product, user should determine the suitability of the product for its intended use. HERSCHEL INFRARED LTD expressly disclaims the implied warranties and conditions of merchantability and fitness or a particular purpose. In no case shall HERSCHEL INFRARED LTD be liable under any legal theory, including but not limited to contract or strict liability, for any direct, indirect special, incidental or consequential damages resulting from product use.



Conventional Convection Heating only heats the air within the building so the inner wall absorbs none of the heat being produced. This in turn means the walls are acting as 'cold radiators' which then very rapidly cool the air within the room once the heating system stops working.