

imc

fresh thinking

Technical Information Food Waste Disposers



January 2007

Overview

Best practice dictates the removal of food waste quickly and completely from commercial kitchens, eliminating unpleasant odours and spillages, and the risk of contaminating fresh or cooked food. Food waste disposers are essential for the efficient and hygienic removal of preparation waste and table scraps.

IMC food waste disposers are safe and easy to use, and offer unique features and enhanced performance and reliability.

The range of installation options available from IMC ensures that the needs of every caterer can easily be met. For the range summary and appropriate food waste disposer please see the IMC product selector. All IMC food waste disposers can be fitted to a Mechline services box.

Electrical Connection

All electrical work must be carried out by a qualified electrician in accordance with the IEE Codes of Practice.

Product Conformity

IMC food waste disposers conform to the Machine Safety Directive 89/392/EEC as amended by 91/368/EEC and 93/44/EEC and are manufactured under quality system BSEN ISO 9001:2000. They also conform to the protection requirements of the Electro Magnetic Compatibility Directive 89/336/EEC and are manufactured in accordance with harmonised standards EN 50-014-1 Generic Emission and EN 50-014-2 Generic Immunity (plus product specific standards). They also satisfy the essential requirements of the Low Voltage Directive 73/23/EEC amended by 93/68/EEC.

All IMC food waste disposers are WRAS approved and manufactured in accordance with standards BSEN 60335-1 and BSEN 60335-2-16.

Marine Applications

A wide range of marine voltages are available. IMC food waste disposers meet the requirements of regulation 3(1)(c), 4(2) and 5(2)(c) of Annex V of MARPOL 73/78.

Warranty

IMC food waste disposers come with one year parts and labour warranty. (subject to usage and regular maintenance as laid down in the operation and installation manual).

Spare Parts

Spare parts are available for all major serviceable items. Please contact:

IMC service telephone: +44 (0)1978 667743

IMC spares telephone: +44 (0)1978 667764

Fax: +44 (0)1978 729990

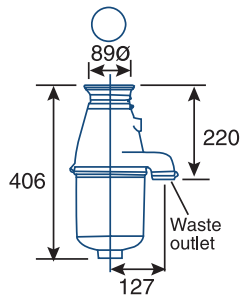
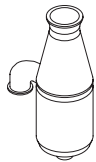
E-mail: parts@imco.co.uk

Product Selector

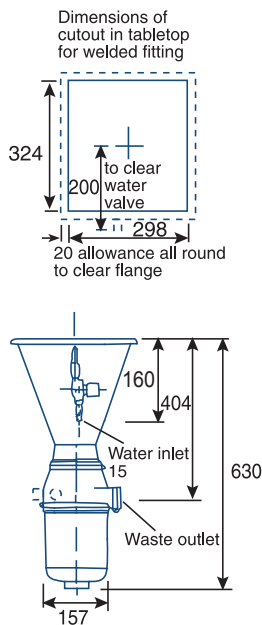
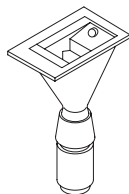
Use this simple guide to select the best IMC food waste disposer for your requirements.

| | | | | | | | | | | | | | | | |
|--|------------|------------|---------------|------------|------------|---------------|-----------------------------|-----------------------------|------------|---------------|---------------|-----------------------------|-----------------------------|-----------------------------|-----------------------------|
| Covers per sitting | 200 | 400 | 400 | 400 | 850 | 850 | 1000 | 1000 | 1350 | 1350 | 1450 | 1450 | 1450 | 1850 | 1850 |
| Waste per hour (Kg) | 100 | 200 | 200 | 250 | 400 | 400 | 500 | 500 | 600 | 600 | 700 | 700 | 700 | 900 | 900 |
| Soft Waste: (Plate waste, vegetables, peelings, meat and fish scraps.) | ✓ | ✓ | ✓ | ✓ | ✓ | ✓ | ✓ | ✓ | ✓ | ✓ | ✓ | ✓ | ✓ | ✓ | ✓ |
| Medium Waste: (Small pork and chicken bones, vegetables and fruit.) | | | | ✓ | ✓ | ✓ | ✓ | ✓ | ✓ | ✓ | ✓ | ✓ | ✓ | ✓ | ✓ |
| Tough Waste: (All red meat bones, cauliflower stalks, fish skins.) | | | | | | | | | ✓ | ✓ | ✓ | ✓ | ✓ | ✓ | ✓ |
| Compatible with WastePro | | | | ✓ | ✓ | ✓ | ✓ | | ✓ | ✓ | ✓ | ✓ | | ✓ | |
| Compatible with Troughs | | | | | | | ✓ | ✓ | | | | ✓ | ✓ | ✓ | ✓ |
| Motor kW | 0.55 | 0.55 | 0.55 | 1.1 | 1.1 | 1.1 | 1.1 | 1.1 | 2.2 | 2.2 | 2.2 | 2.2 | 2.2 | 4 | 4 |
| Motor HP | 3/4 | 3/4 | 3/4 | 1 1/2 | 1 1/2 | 1 1/2 | 1 1/2 | 1 1/2 | 3 | 3 | 3 | 3 | 3 | 5 1/2 | 5 1/2 |
| Mounting | Under Sink | In Tabling | Free Standing | Under Sink | In Tabling | Free Standing | Free Standing or in Tabling | Free Standing or in Tabling | In Tabling | Free Standing | Free Standing | Free Standing or in Tabling | Free Standing or in Tabling | Free Standing or in Tabling | Free Standing or in Tabling |
| Model | 523 | 525 | 526 | 723 | 725 | 726 | 904 | 904X | 825 | 826 | 825DS | 1204 | 1204X | 1604 | 1604X |
| Refer to Page No | 3 | 3 | 4 | 5 | 5 | 6 | 9/10 | 9/10 | 7 | 7 | 8 | 11/12 | 11/12 | 13/14 | 13/14 |

Please note: All capacities are approximate and may vary depending on the mix of waste types.
Rice and pasta must be mixed well with other food wastes.

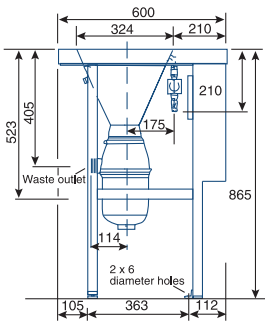
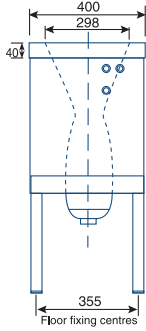
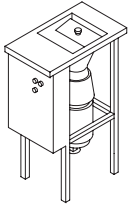
**523**

| | |
|---------------------------------|---|
| General | |
| Mounting | Sink outlet. Supplied with fitting for 89mm (3.5") sink opening. |
| Capacity | 200 covers per sitting. 100kg of waste per hour. |
| Dimensions | h406mm. Fits 89mm (3.5") sink opening. |
| Cut out dimensions | - |
| Electrical information | |
| Motor | 0.55 kW (3/4HP) |
| Voltages | 230-1-50 400-3-50 |
| Fuse rating | 16A - 1 phase 6A - 3 phase |
| Operator controls | IP65 rated waterproof wall mounted control box. Motor on buttons (clockwise and anticlockwise) and off button. |
| Installation information | |
| Water connection | Sink tap. |
| Water consumption | 11-14 litres per minute |
| Waste connection | 40mm copper or plastic pipe to be installed with P or S trap laid to minimum fall of 1 in 7. |
| Electrical connection | 2.5m of mains cable. Supplied from control box, to be wired into fused isolator switch. |
| Other features | |
| Water control | Manual with sink taps. |
| Operator safety | Rubber petals at sink opening. |
| Special features | Rubber housing to minimise noise. Automatic thermal overload to protect the motor. Manually reversible motor for extended operating life. |
| Customer options | |
| - | |
| Product code details | |
| F52/301 | 1 phase 523 |
| F52/321 | 3 phase 523 |
| Shipping specification | |
| Packing dimensions (h x w x d) | 320mm x 220mm x 620mm |
| Packing volume | 0.043m ³ |
| Packing weight (gross/net) | 19kg/18kg |

**525**

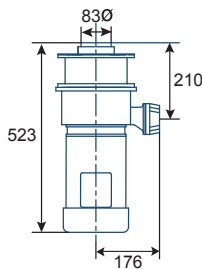
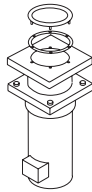
| | |
|---------------------------------|---|
| General | |
| Mounting | Weld into tabling. |
| Capacity | 400 covers per sitting. 200kg of waste per hour. |
| Dimensions (h x w x d) | 630mm x 330mm x 355mm |
| Cut out dimensions | - |
| Electrical information | |
| Motor | 0.55 kW (3/4 HP) |
| Voltages | 230-1-50 400-3-50 |
| Fuse rating | 16A - 1 phase 6A - 3 phase |
| Operator controls | IP65 rated waterproof wall mounted control box. Motor on buttons (clockwise and anticlockwise) and off button. |
| Installation information | |
| Water connection | 15mm connection. Minimum pressure (head) of 0.4 bar (4m). Water to be taken from storage cistern and not from rising main to meet UK water regulations. |
| Water consumption | 11-14 litres per minute. |
| Waste connection | 42mm copper or plastic pipe to be installed with P or S trap laid to minimum fall of 1 in 7. |
| Electrical connection | 2.5m of mains cable supplied from control box, to be wired into fused isolator switch. |
| Other features | |
| Water control | Solenoid valve for automatic water control. |
| Operator safety | Metal baffle and time delayed interlock system. |
| Special features | Rubber housing to minimise noise. Automatic thermal overload to protect the motor. Manually reversible motor for extended operating life. |
| Customer options | |
| - | |
| Product code details | |
| F52/500 | 1 phase 525 |
| F52/520 | 3 phase 525 |
| Shipping specification | |
| Packing dimensions (h x w x d) | 770mm x 410mm x 510mm |
| Packing volume | 0.161m ³ |
| Packing weight (gross/net) | 30kg/28kg |

* All diagram dimensions are in mm

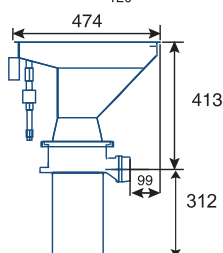
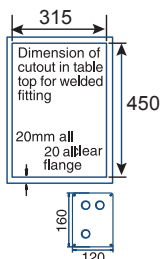
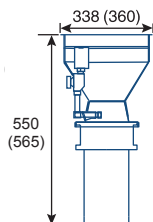
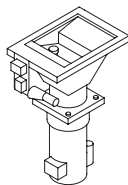


| 526 | |
|---------------------------------|---|
| General | |
| Mounting | Free standing with stainless steel front panel. |
| Capacity | 400 covers per sitting. 200kg of waste per hour. |
| Dimensions (h x w x d) | 865mm x 400mm x 600mm |
| Cut out dimensions | - |
| Electrical information | |
| Motor | 0.55 kW (3/4HP) |
| Voltages | 230-1-50 |
| | 400-3-50 |
| Fuse rating | 16A - 1 phase |
| | 6A - 3 phase |
| Operator controls | IP65 rated waterproof integral controls. |
| | Motor on buttons (clockwise and anticlockwise) and off button. |
| Installation information | |
| Water connection | 15mm connection. Minimum pressure (head) of 0.4 bar (4m). Water to be taken from storage cistern and not from rising main to meet UK water regulations. |
| Water consumption | 11-14 litres per minute. |
| Waste connection | 42mm copper or plastic pipe to be installed with P or S trap laid to minimum fall of 1 in 7. |
| Electrical connection | 2.5m of mains cable supplied from control box, to be wired into fused isolator switch. |
| Other features | |
| Water control | Solenoid valve for automatic water control. |
| Operator safety | Metal baffle and time delayed interlock system. |
| Special features | Rubber housing to minimise noise. |
| | Automatic thermal overload to protect the motor. |
| | Manually reversible motor for extended operating life. |
| Customer options | |
| | Stainless steel side panels. |
| Product code details | |
| F52/602 | 1 phase 526 |
| F52/622 | 3 phase 526 |
| E35/056 | Stainless steel side panel 526 |
| Shipping specification | |
| Packing dimensions (h x w x d) | 680mm x 580mm x 1020mm |
| Packing volume | 0.402m ³ |
| Packing weight (gross/net) | 50kg/36kg |

* All diagram dimensions are in mm

**723**

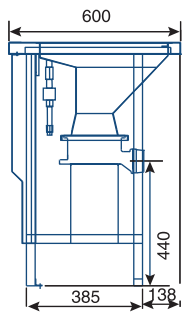
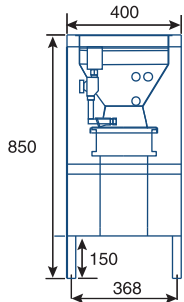
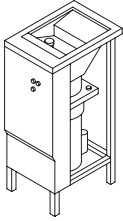
| General | |
|--------------------------------|---|
| Mounting | Sink outlet. Supplied with fitting to be welded into 86mm sink opening. |
| Capacity | 400 covers per sitting. 200kg of waste per hour. |
| Dimensions | h530mm. Fits 83mm sink opening. |
| Cut out dimensions | - |
| Electrical information | |
| Motor | 1.1kW (1½HP) |
| Voltages | 230-1-50 400-3-50 |
| Fuse rating | 16A - 1 phase 6A - 3 phase |
| Operator controls | IP65 rated waterproof wall mounted control box. Motor on buttons (clockwise and anticlockwise) and off button. |
| Installation information | |
| Water connection | 15mm connection. Minimum pressure (head) of 0.4 bar (4m). Water to be taken from storage cistern and not from rising main to meet UK water regulations. |
| Water consumption | 14-18 litres per minute |
| Waste connection | 2" BSP threaded flange for connection to 54mm piping, laid to minimum fall of 1 in 7. |
| Electrical connection | 2.5m of mains cable supplied from control box, to be wired into fused isolator switch. |
| Other features | |
| Water control | Solenoid valve for automatic water control. |
| Operator safety | Metal baffle. |
| Special features | Automatic thermal overload to protect the motor. Manually reversible motor for extended operating life. |
| Customer options | |
| | - |
| Product code details | |
| F60/305 | 1 phase 723 |
| F60/300 | 3 phase 723 |
| Shipping specification | |
| Packing dimensions (h x w x d) | 770mm x 410mm x 510mm |
| Packing volume | 0.161m³ |
| Packing weight (gross/net) | 42kg/40kg |

**725**

| General | |
|--------------------------------|--|
| Mounting | Weld into tabling. |
| Capacity | 850 covers per sitting. 400kg of waste per hour. |
| Dimensions (h x w x d) | 550mm x 338mm x 474mm - 1 phase 565mm x 338mm x 474mm - 3 phase |
| Cut out dimensions | 315mm x 450mm |
| Electrical information | |
| Motor | 1.1kW (1½HP) |
| Voltages | 230-1-50 400-3-50 |
| Fuse rating | 16A - 1 phase 6A - 3 phase |
| Operator controls | IP65 rated waterproof wall mounted control box. Motor on buttons (clockwise and anticlockwise) and off button. |
| Installation information | |
| Water connection | 15mm connection. Minimum pressure (head) of 0.4 bar (4m). If using mains water supply specify class A air break with special baffle. |
| Water consumption | 14-18 litres per minute |
| Waste connection | 2" BSP threaded flange for connection to 54mm piping, laid to minimum fall of 1 in 7. |
| Electrical connection | 2.5m of mains cable supplied from control box, to be wired into fused isolator switch. |
| Other features | |
| Water control | Solenoid valve for automatic water control. |
| Operator safety | Metal baffle and time delayed interlock system. |
| Special features | Automatic thermal overload to protect the motor. Manually reversible motor for extended operating life. |
| Customer options | |
| | Class A airbreak. Magnetic cutlery saver. |
| Product code details | |
| F60/100 | 1 phase 725 |
| F60/121 | 3 phase 725 |
| S99/047** | Class A airbreak |
| ** | Magnetic cutlery saver |
| Shipping specification | |
| Packing dimensions (h x w x d) | 640mm x 500mm x 880mm |
| Packing volume | 0.161m³ |
| Packing weight (gross/net) | 49kg/42kg |

** This option must be ordered with the machine.

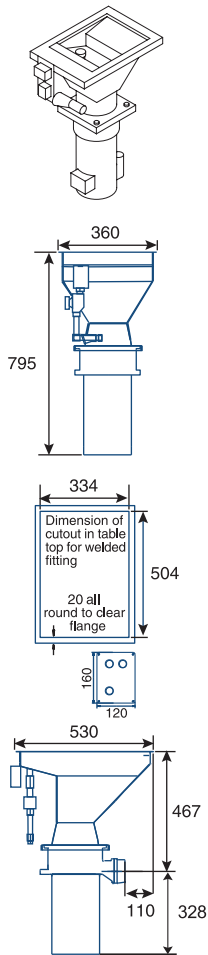
* All diagram dimensions are in mm



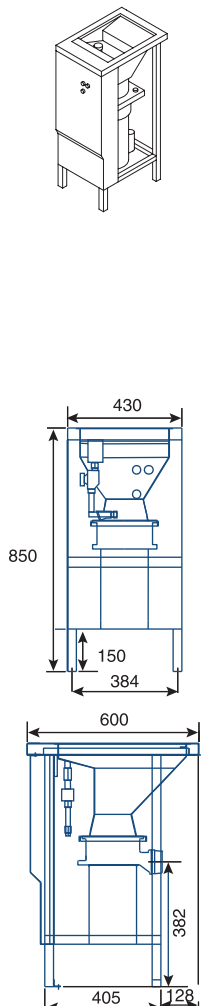
| 726 | |
|---------------------------------|--|
| General | |
| Mounting | Free standing. |
| Capacity | 850 covers per sitting. 400kg of waste per hour. |
| Dimensions (h x w x d) | 850mm x 400mm x 600mm |
| Cut out dimensions | - |
| Electrical information | |
| Motor | 1.1kW (1 1/2HP) |
| Voltages | 230-1-50 400-3-50 |
| Fuse rating | 16A - 1 phase 6A - 3 phase |
| Operator controls | IP65 rated waterproof wall mounted control box. Motor on buttons (clockwise and anticlockwise) and off button. |
| Installation information | |
| Water connection | 15mm connection. Minimum pressure (head) of 0.4 bar (4m). If using mains water supply specify class A air break with special baffle. |
| Water consumption | 14-18 litres per minute |
| Waste connection | 2" BSP threaded flange for connection to 54mm piping, laid to minimum fall of 1 in 7. |
| Electrical connection | 2.5 of mains cable supplied from control box, to be wired into fuse isolator switch. |
| Other features | |
| Water control | Solenoid valve for automatic water control. |
| Operator safety | Metal baffle and time delayed interlock system. |
| Special features | Automatic thermal overload to protect the motor. Manually reversible motor for extended operating life. |
| Customer options | |
| | Stainless steel side panels. |
| | Class A airbreak. |
| | Magnetic cutlery saver. |
| Product code details | |
| F60/200 | 1 phase 726 |
| F60/221 | 3 phase 726 |
| E60/010 | Stainless steel side panel 726 |
| S99/047** | Class A airbreak |
| | ** Magnetic cutlery saver |
| Shipping specification | |
| Packing dimensions (h x w x d) | 690mm x 580mm x 1000mm |
| Packing volume | 0.292m ³ |
| Packing weight (gross/net) | 63kg/48kg |

** This option must be ordered with the machine.

* All diagram dimensions are in mm



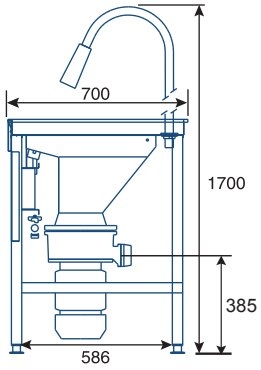
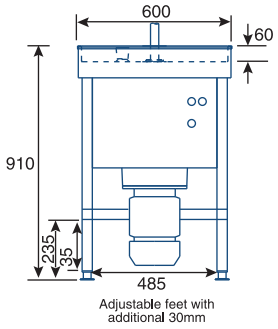
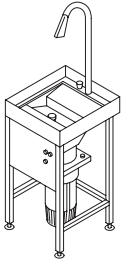
| 825 | |
|--------------------------------|--|
| General | |
| Mounting | Weld into tabling. |
| Capacity | 1350 covers per sitting. 600kg of waste per hour. |
| Dimensions (h x w x d) | 795mm x 360mm x 530mm |
| Cut out dimensions | 334mm x 504mm |
| Electrical information | |
| Motor | 2.2kW (3HP) |
| Voltages | 400-3-50 |
| Fuse rating | 10A - 3 phase |
| Operator controls | IP65 rated waterproof wall mounted control box. |
| | Motor on buttons (clockwise and anticlockwise) and off button. |
| Installation information | |
| Water connection | 15mm connection. Minimum pressure (head) of 0.4 bar (4m). If using mains water supply specify class A air break with special baffle. |
| Water consumption | 18-27 litres per minute |
| Waste connection | 2" BSP threaded flange for connection to 54mm piping, laid to minimum fall of 1 in 7. |
| Electrical connection | 2.5m mains cable wired from fused isolator switch into controller. |
| Other features | |
| Water control | Solenoid valve for automatic water control. |
| Operator safety | Metal baffle and time delayed interlock system. |
| Special features | Automatic thermal overload to protect the motor. |
| | Manually reversible motor for extended operating life. |
| Customer options | |
| | Class A airbreak. |
| | Magnetic cutlery saver. |
| Product code details | |
| F68/121 | 3 phase 4 wire 825 |
| F68/120 | 3 phase 5 wire 825 |
| S99/047** | Class A airbreak |
| | ** Magnetic cutlery saver |
| Shipping specification | |
| Packing dimensions (h x w x d) | 640mm x 500mm x 980mm |
| Packing volume | 0.265m ³ |
| Packing weight (gross/net) | 62kg/56kg |



| 826 | |
|--------------------------------|--|
| General | |
| Mounting | Free standing. |
| Capacity | 1350 covers per sitting. 600kg of waste per hour. |
| Dimensions (h x w x d) | 850mm x 430mm x 600mm |
| Electrical information | |
| Motor | 2.2kW (3HP) |
| Voltages | 400-3-50 |
| Fuse rating | 10A - 3 phase |
| Operator controls | IP65 rated waterproof wall mounted control box. |
| | Motor on buttons (clockwise and anticlockwise) and off button. |
| Installation information | |
| Water connection | 15mm connection. Minimum pressure (head) of 0.4 bar (4m). If using mains water supply specify class A air break with special baffle. |
| Water consumption | 18-27 litres per minute |
| Waste connection | 2" BSP threaded flange for connection to 54mm piping, laid to minimum fall of 1 in 7. |
| Electrical connection | 2.5m mains cable wired into integral controller. |
| Other features | |
| Water control | Solenoid valve for automatic water control. |
| Operator safety | Metal baffle and time delayed interlock system. |
| Special features | Automatic thermal overload to protect the motor. |
| | Manually reversible motor for extended operating life. |
| Customer options | |
| | Remote control box. |
| | Stainless steel side panels. |
| | Class A airbreak. |
| | Magnetic cutlery saver. |
| Product code details | |
| F68/221 | 3 phase 4 wire 826 |
| F68/220 | 3 phase 5 wire 826 |
| E68/013 | Stainless steel side panel 826 |
| S99/047** | Class A airbreak |
| | ** Remote control Box |
| | ** Magnetic Cutlery Saver |
| Shipping specification | |
| Packing dimensions (h x w x d) | 620mm x 480mm x 980mm |
| Packing volume | 0.292m ³ |
| Packing weight (gross/net) | 73kg/63kg |

** This option must be ordered with the machine.

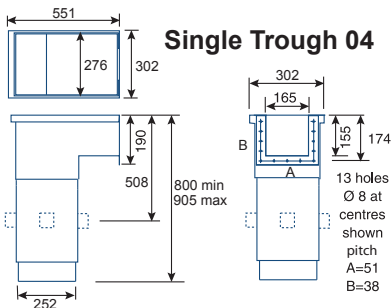
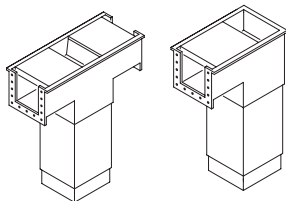
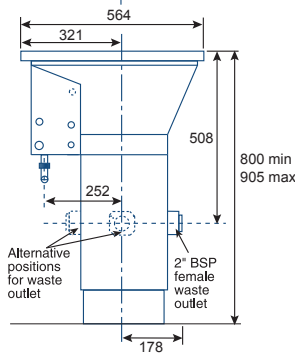
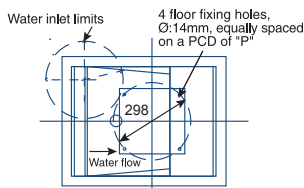
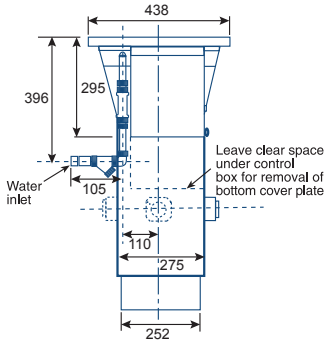
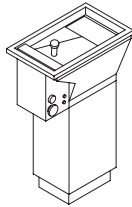
* All diagram dimensions are in mm



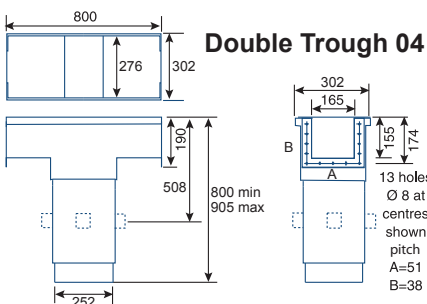
| 825DS | |
|--------------------------------|--|
| General | |
| Mounting | Free standing. |
| Capacity | 1450 covers per sitting. 700kg of waste per hour. |
| Dimensions (h x w x d) | 1700mm x 600mm x 700mm |
| Electrical information | |
| Motor | 2.2kW (3HP) |
| Voltages | 400-3-50 |
| Fuse rating | 10A - 3 phase |
| Operator controls | IP65 rated waterproof wall mounted control box. |
| | Motor on buttons (clockwise and anticlockwise) and off button. |
| Installation information | |
| Water connection | 15mm connection. Minimum pressure (head) of 0.4 bar (4m). If using mains water supply specify class A air break with special baffle. |
| Water consumption | 18-27 litres per minute |
| Waste connection | 2" BSP threaded flange for connection to 54mm piping, laid to minimum fall of 1 in 7. |
| Electrical connection | 2.5m mains cable wired into integral controller. |
| Other features | |
| Water control | Solenoid valve for automatic water control. |
| Operator safety | Metal baffle and time delayed interlock system. |
| Special features | Retractable pre-rinse spray for dishes and cleaning. |
| | Large self contained tabling with high edges for better waste containment and throughput. |
| | Automatic thermal overload to protect the motor. |
| | Manually reversible motor for extended life. |
| Customer options | |
| | Remote control box. |
| | Stainless steel side panels. |
| | Class A airbreak. |
| | Magnetic cutlery saver. |
| Product code details | |
| F68/321 | 3 phase 4 wire 825DS |
| F68/320 | 3 phase 5 wire 825DS |
| E68/014 | Stainless steel side panel 826 |
| S99/047** | Class A airbreak |
| ** | Remote control box |
| ** | Magnetic cutlery saver |
| Shipping specification | |
| Packing dimensions (h x w x d) | 810mm x 650mm x 980mm |
| Packing volume | 0.516m ³ |
| Packing weight (gross/net) | 75kg/65kg |

** This option must be ordered with the machine.

* All diagram dimensions are in mm



Single Trough 04



Double Trough 04

904

| | |
|---------------------------------|---|
| General | |
| Mounting | Free standing, welded into tabling or sealed into hopper rim welded into tabling. |
| Capacity | 1000 covers per sitting. 500kg of waste per hour. |
| Dimensions (h x w x d) | 800-905mm x 438mm x 564mm |
| Cut out dimensions - Unit | 510mm x 385mm |
| Cut out dimensions - Rim | 494mm x 368mm |
| Electrical information | |
| Motor | 1.1kW (1½HP). |
| Voltages | 230-1-50 400-3-50 440-3-60 |
| Fuse rating | 16A - 1 phase 6A - 3 phase |
| Operator controls | IP65 rated integral on/off control buttons. |
| Installation information | |
| Water connection | 15mm connection. Minimum pressure (head) of 0.18 bar (1.8m). If using mains water supply specify class A air break with special baffle. |
| Water consumption | 14-18 litres per minute |
| Waste connection | 2" BSP threaded flange for connection to 54mm piping, laid to minimum fall of 1 in 7. |
| Electrical connection | 2.5m mains cable wired into integral controller. |
| Other features | |
| Water control | Solenoid valve for automatic water control. |
| Operator safety | Metal baffle and time delayed interlock system. |
| Special features | Automatic thermal overload to protect the motor. Automatically reversible motor for extended operating life. Adjustable machine height. |
| Customer options | |
| | Class A airbreak. Magnetic cutlery saver. Cutlery/Silver saver baffle supplied in place of standard baffle at no extra cost. Hopper rim for sitting in tabling for ease of service. Remote control box. |
| Product code details | |
| F54/100 | 1 phase 904 |
| F54/120 | 3 phase 904 |
| E30/095 | Hopper rim to weld into tabling |
| S54/026 | Remote control box |
| S99/047** | Class A airbreak |
| ** | Magnetic cutlery saver |
| ** | Cutlery/Silver saver baffle |

Shipping specification

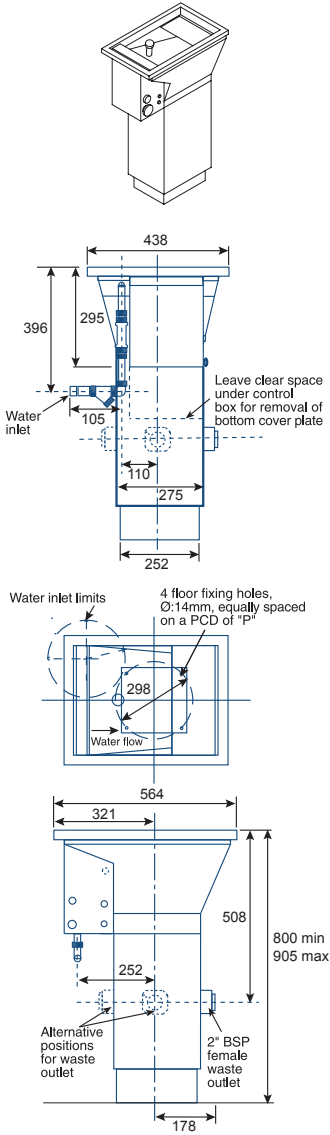
| | |
|--------------------------------|-----------------------|
| Packing dimensions (h x w x d) | 640mm x 500mm x 950mm |
| Packing volume | 0.304m ³ |
| Packing weight (gross/net) | 71kg/60kg |

904 Trough Variations

A single trough unit is connected at the end of a scrapping trough for lengths upto 3m. For lengths between 3m and 6m a double trough unit is required in a central position.

| | |
|-------------------------------------|--|
| General | |
| Mounting | Connect to scrapping trough. |
| Dimensions (h x w x d) Single | 800-905mm x 551mm x 302mm |
| Dimensions (h x w x d) Double | 800-905mm x 800mm x 302mm |
| Electrical information | |
| Operator controls | IP65 rated waterproof wall mounted control box. Motor on buttons (clockwise and anticlockwise) and off button. |
| Other features | |
| Special features | Manually reversible motor for extended life as standard. Automatic thermal overload to protect the motor. Adjustable machine height. |
| Customer options | |
| | Magnetic cutlery saver (double troughs require two) |
| Product code details | |
| F54/101 | Single trough 904 1 phase |
| F54/121 | Single trough 904 3 phase |
| F54/102 | Double trough 904 1 phase |
| F54/122 | Double trough 904 3 phase |
| ** | Magnetic cutlery saver (double trough requires two) |
| Shipping specification | |
| Packing dimensions - single | 690mm x 580mm x 1000mm |
| Packing volume - single | 0.400m ³ |
| Packing weight (gross/net) - single | 72kg/59kg |
| Packing dimensions - double | 800mm x 550mm x 1000mm |
| Packing volume - double | 0.440m ³ |
| Packing weight (gross/net) - double | 75kg/59kg |

** This option must be ordered with the machine.
* All diagram dimensions are in mm

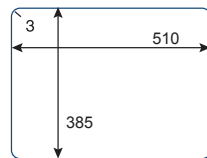


| 904X | |
|---------------------------------|---|
| General | |
| Mounting | Free standing, welded into tabling or sealed into hopper rim welded into tabling. |
| Capacity | 1000 covers per sitting. 500kg of waste per hour. |
| Dimensions (h x w x d) | 800-905mm x 438mm x 564mm |
| Cut out dimensions - Unit | 510mm x 385mm |
| Cut out dimensions - Rim | 494mm x 368mm |
| Electrical information | |
| Motor | 1.1kW (1 1/2HP). |
| Voltages | 230-1-50 |
| | 400-3-50 |
| | 440-3-60 |
| Fuse rating | 16A - 1 phase |
| | 6A - 3 phase |
| Operator controls | IP65 rated integral on/off control buttons. |
| Installation information | |
| Water connection | 15mm connection. Minimum pressure (head) of 0.18 bar (1.8m). If using mains water supply specify class A air break with special baffle. |
| Water consumption | 14-18 litres per minute |
| Waste connection | 2" BSP threaded flange for connection to 54mm piping, laid to minimum fall of 1 in 7. |
| Electrical connection | 2.5m mains cable wired into integral controller. |
| Other features | |
| Water control | Solenoid valve for automatic water control. |
| Operator safety | Metal baffle and time delayed interlock system. |
| Special features | Automatic electronic overload to protect the motor. |
| | Automatically reversible motor for extended operating life. |
| | Machine status indicator and alarm. |
| | Motor seal failure indicator, alarm and immobilizer. |
| | Low-load cut-out for energy and water efficiency. |
| | Automatic self-cleaning system. |
| | Adjustable machine height. |
| Customer options | |
| | Class A airbreak. |
| | Magnetic cutlery saver. |
| | Cutlery/Silver saver baffle supplied in place of standard baffle at no extra cost. |
| | Hopper rim for sitting in tabling for ease of service. |
| | Remote control box. |
| Product code details | |
| F54/500 | 1 phase 904X |
| F54/521 | 3 phase 4 wire 904X |
| F54/520 | 3 phase 5 wire 904X |
| E30/095 | Hopper rim to weld into tabling 904X |
| S54/026 | Remote control box |
| S99/047** | Class A airbreak |
| ** | Magnetic cutlery saver |
| ** | Cutlery/Silver saver baffle |
| Shipping specification | |
| Packing dimensions (h x w x d) | 640mm x 500mm x 950mm |
| Packing volume | 0.304m ³ |
| Packing weight (gross/net) | 71kg/60kg |

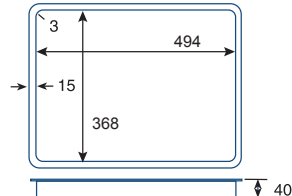
** This option must be ordered with the machine.

* All diagram dimensions are in mm

Dimensions of cut-out in tabling

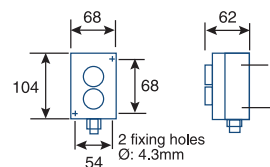


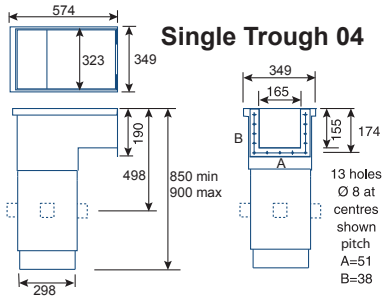
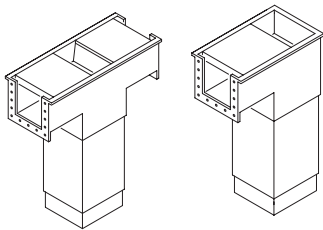
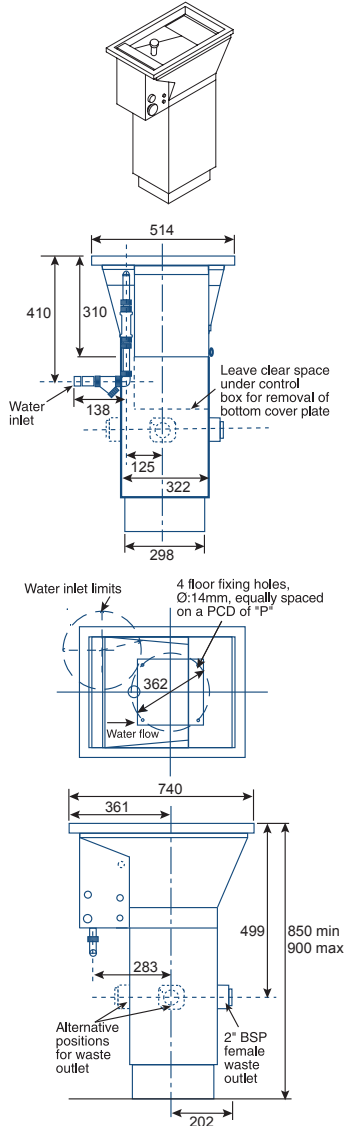
Dimensions of hopper rim



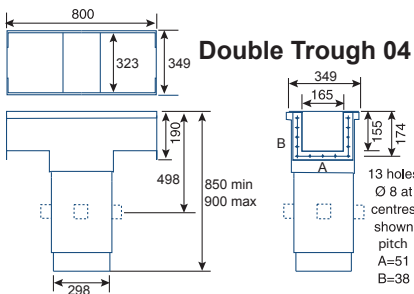
The waste disposer hopper can be welded directly to the cut-out in the tabling, or sealed to a special hopper rim which is itself welded to the cut-out.

Optional remote button box





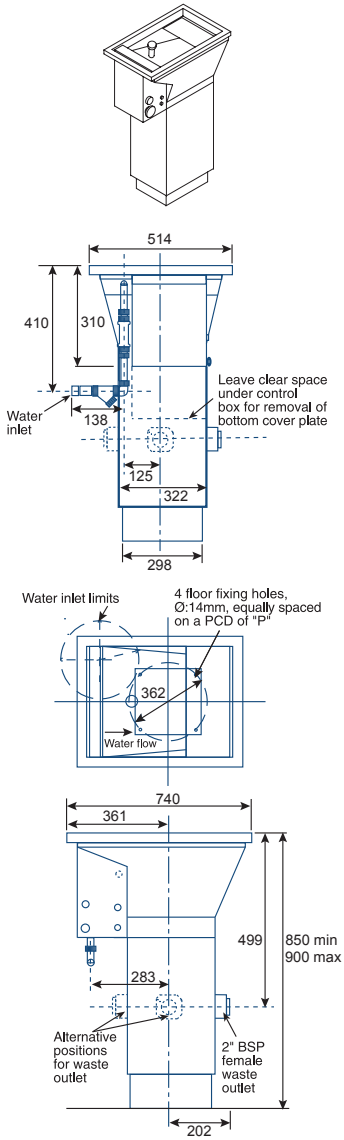
Single Trough 04



Double Trough 04

| 1204 | |
|---|---|
| General | |
| Mounting | Free standing, welded into tabling or sealed into hopper rim welded into tabling. |
| Capacity | 1450 covers per sitting. 700kg of waste per hour. |
| Dimensions (h x w x d) | 850-900mm x 514mm x 740mm |
| Cut out dimensions - Unit | 685mm x 460mm |
| Cut out dimensions - Rim | 672mm x 444mm |
| Electrical information | |
| Motor | 2.2kW (3HP) |
| Voltages | 400-3-50 440-3-60 |
| Fuse rating | 10A - 3 phase |
| Operator controls | IP65 rated integral on/off control buttons. |
| Installation information | |
| Water connection | 22mm connection. Minimum pressure (head) of 0.18 bar (1.8m). If using mains water supply specify class A air break with special baffle. |
| Water consumption | 18-27 litres per minute. |
| Waste connection | 2" BSP threaded flange for connection to 54mm piping, laid to minimum fall of 1 in 7. |
| Electrical connection | 2.5m mains cable wired into integral controller. |
| Other features | |
| Water control | Solenoid valve for automatic water control. |
| Operator safety | Metal baffle and time delayed interlock system. |
| Special features | Automatic thermal overload to protect the motor. Automatically reversible motor for extended operating life. Adjustable machine height. |
| Customer options | |
| | Class A airbreak. |
| | Magnetic cutlery saver. |
| | Cutlery/Silver saver baffle supplied in place of standard baffle at no extra cost. |
| | Hopper rim for sitting in tabling for ease of service. |
| | Remote control box. |
| Product code details | |
| F54/220 | 3 phase 1204 |
| E30/096 | Hopper rim for welding into table 1204 |
| S54/026 | Remote control box |
| S99/047** | Class A airbreak |
| ** | Magnetic cutlery saver |
| ** | Cutlery/Silver saver baffle |
| Shipping specification | |
| Packing dimensions | 800mm x 550mm x 1000mm |
| Packing volume | 0.440m ³ |
| Packing weight (gross/net) | 97kg/81kg |
| 1204 Trough Variations | |
| A single trough unit is connected at the end of a scrapping trough for lengths upto 3m. For lengths between 3m and 6m a double trough unit is required in a central position. | |
| General | |
| Mounting | Connect to scrapping trough. |
| Dimensions (h x w x d) single | 850-900mm x 574mm x 349mm |
| Dimensions (h x w x d) double | 850-900mm x 800mm x 349mm |
| Electrical information | |
| Operator controls | IP65 rated waterproof wall mounted control box. Motor on buttons (clockwise and anticlockwise) and off button. |
| Other features | |
| Special features | Manually reversible motor for extended operating life. Automatic thermal overload to protect the motor. Adjustable machine height. |
| Customer options | |
| | Magnetic cutlery saver. (double troughs require two) |
| Product code details | |
| F54/221 | Single trough 1204 3 phase |
| F54/222 | Double trough 1204 3 phase |
| ** | Magnetic cutlery saver (double trough requires two) |
| Shipping specification | |
| Packing dimensions - single | 690mm x 580mm x 1000mm |
| Packing volume - single | 0.400m ³ |
| Packing weight (gross/net) - single | 91kg/73kg |
| Packing dimensions - double | 800mm x 550mm x 1000mm |
| Packing volume - double | 0.440m ³ |
| Packing weight (gross/net) - double | 92kg/76kg |

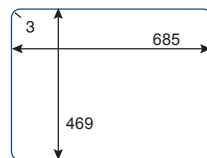
** This option must be ordered with the machine.
* All diagram dimensions are in mm

**1204X**

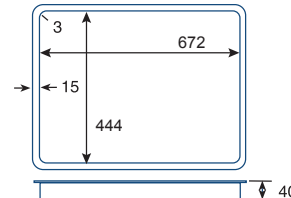
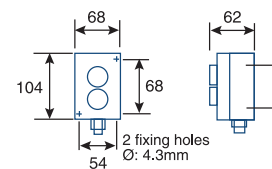
| General | |
|--------------------------------|---|
| Mounting | Free standing, welded into tabling or sealed into hopper rim welded into tabling. |
| Capacity | 1450 covers per sitting. 700kg of waste per hour. |
| Dimensions (h x w x d) | 850-900mm x 514mm x 740mm |
| Cut out dimensions - Unit | 685mm x 460mm |
| Cut out dimensions - Rim | 672mm x 444mm |
| Electrical information | |
| Motor | 2.2kW (3HP). |
| Voltages | 400-3-50 440-3-60 |
| Fuse rating | 10A - 3 phase |
| Operator controls | IP65 rated integral on/off control buttons. |
| Installation information | |
| Water connection | 22mm connection. Minimum pressure (head) of 0.18 bar (1.8m). If using mains water supply specify class A air break with special baffle. |
| Water consumption | 18-27 litres per minute. |
| Waste connection | 2" BSP threaded flange for connection to 54mm piping, laid to minimum fall of 1 in 7. |
| Electrical connection | 2.5m mains cable wired into integral controller. |
| Other features | |
| Water control | Solenoid valve for automatic water control. |
| Operator safety | Metal baffle and time delayed interlock system. |
| Special features | Automatic electronic overload to protect the motor. Automatically reversible motor for extended operating life. Machine status indicator and alarm. Motor seal failure indicator, alarm and immobilizer. Low-load cut-out for energy and water efficiency. Automatic self-cleaning system. Adjustable machine height. |
| Customer options | |
| | Class A airbreak. |
| | Magnetic cutlery saver. |
| | Cutlery/Silver saver baffle supplied in place of standard baffle at no extra cost. |
| | Hopper rim for sitting in tabling for ease of service. |
| | Remote control box. |
| Product code details | |
| F54/621 | 3 phase 4 wire 1204X |
| F54/620 | 3 phase 5 wire 1204X |
| E30/096 | Hopper rim for welding into tabling 1204X |
| S54/026 | Remote control box. |
| S99/047** | Class A airbreak |
| ** | Magnetic cutlery saver |
| ** | Cutlery/Silver saver baffle |
| Shipping specification | |
| Packing dimensions (h x w x d) | 800mm x 550mm x 1000mm |
| Packing volume | 0.440m ³ |
| Packing weight (gross/net) | 97kg/81 kg |

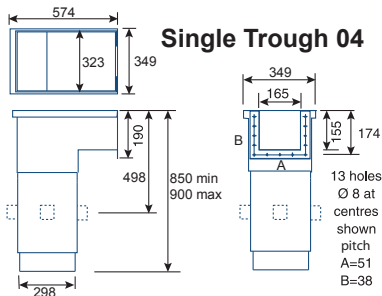
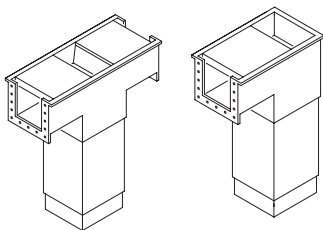
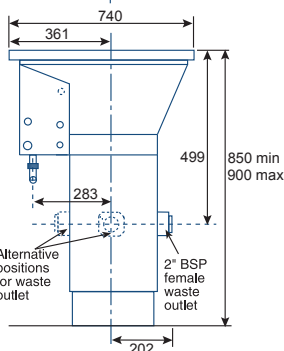
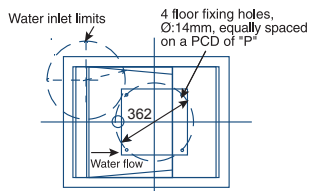
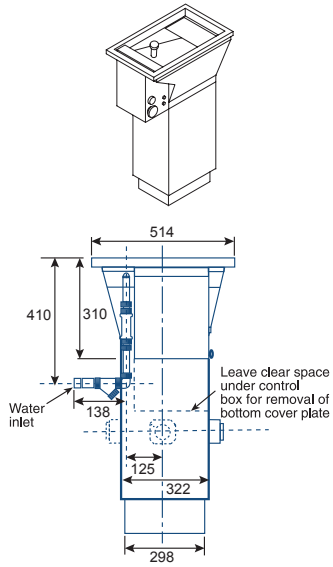
** This option must be ordered with the machine.

* All diagram dimensions are in mm

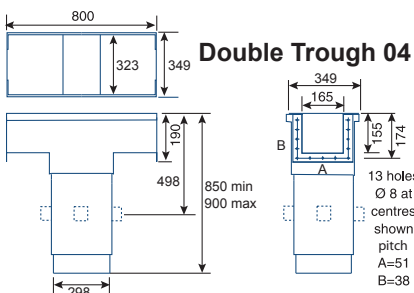
Dimensions of cut-out in tabling

The waste disposer hopper can be welded directly to the cut-out in the tabling, or sealed to a special hopper rim which is itself welded to the cut-out.

Dimensions of hopper rim**Optional remote button box**



Single Trough 04



Double Trough 04

1604

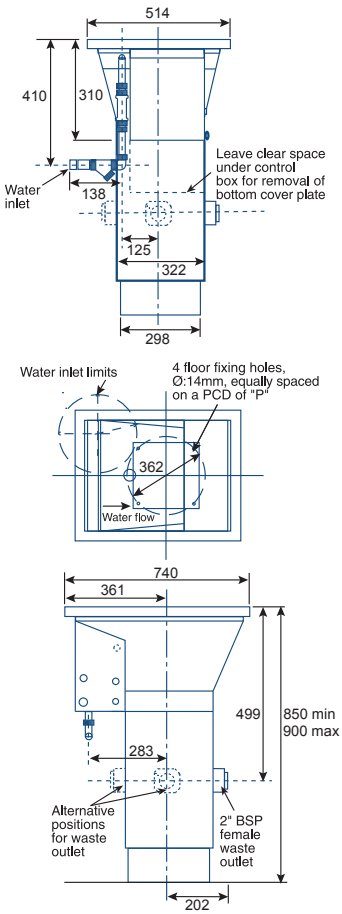
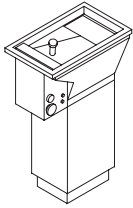
| | |
|---------------------------------|---|
| General | |
| Mounting | Free standing, welded into tabling or sealed into hopper rim welded into tabling. |
| Capacity | 1850 covers per sitting. 900kg of waste per hour. |
| Dimensions (h x w x d) | 850-900mm x 514mm x 740mm |
| Cut out dimensions - Unit | 685mm x 460mm |
| Cut out dimensions - Rim | 672mm x 444mm |
| Electrical information | |
| Motor | 4.0kW (5½HP) |
| Voltages | 400-3-50 440-3-60 |
| Fuse rating | 16A - 3 phase |
| Operator controls | IP65 rated integral on/off control buttons. |
| Installation information | |
| Water connection | 22mm connection. Minimum pressure (head) of 0.18 bar (1.8m). If using mains water supply specify class A air break with special baffle. |
| Water consumption | 27-36 litres per minute. |
| Waste connection | 2" BSP threaded flange for connection to 54mm piping, laid to minimum fall of 1 in 7. |
| Electrical Connection | 2.5m mains cable wired into integral controller. |
| Other features | |
| Water control | Solenoid valve for automatic water control. |
| Operator safety | Metal baffle and time delayed interlock system. |
| Special features | Automatic thermal overload to protect the motor. Automatically reversible motor for extended operating life. Adjustable machine height. |
| Customer options | |
| | Class A airbreak. |
| | Magnetic cutlery saver. |
| | Cutlery/Silver saver baffle supplied in place of standard baffle at no extra cost. |
| | Hopper rim for sitting in tabling for ease of service. |
| | Remote control box. |
| Product code details | |
| F54/320 | 3 phase 1604 |
| E30/096 | Hopper rim for welding into tabling 1604 |
| S54/026 | Remote control box. |
| S99/047** | Class A airbreak |
| ** | Magnetic cutlery saver |
| ** | Cutlery/Silver saver baffle |
| Shipping specification | |
| Packing dimensions (h x w x d) | 800mm x 550mm x 1000mm |
| Packing volume | 0.440m³ |
| Packing weight (gross/net) | 100kg/84kg |

1604 Trough Variations

A single trough unit is connected at the end of a scrapping trough for lengths upto 3m. For lengths between 3m and 6m a double trough unit is required in a central position.

| | |
|-------------------------------------|--|
| General | |
| Mounting | Connect to scrapping trough. |
| Dimensions (h x w x d) single | 850-900mm x 574mm x 349mm |
| Dimensions (h x w x d) double | 850-900mm x 800mm x 349mm |
| Electrical information | |
| Operator controls | IP65 rated waterproof wall mounted control box. Motor on buttons (clockwise and anticlockwise) and off button. |
| Other features | |
| Special features | Manually reversible motor for extended operating life. Automatic thermal overload to protect the motor. Adjustable machine height. |
| Customer options | |
| | Magnetic cutlery saver (double troughs require two) |
| Product code details | |
| F54/321 | Single trough 1604 3 phase |
| F54/322 | Double trough 1604 3 phase |
| ** | Magnetic cutlery saver (double troughs require two) |
| Shipping specification | |
| Packing dimensions - single | 690mm x 580mm x 1000mm |
| Packing volume - single | 0.400m³ |
| Packing weight (gross/net) - single | 97kg/90kg |
| Packing dimensions - double | 810mm x 530mm x 1000mm |
| Packing volume - double | 0.440m³ |
| Packing weight (gross/net) - double | 97kg/90kg |

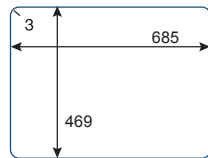
** This option must be ordered with the machine.
* All diagram dimensions are in mm



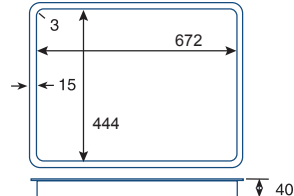
| 1604X | |
|---------------------------------|---|
| General | |
| Mounting | Free standing, welded into tabling or sealed into hopper rim welded into tabling. |
| Capacity | 1850 covers per sitting. 900kg of waste per hour. |
| Dimensions (h x w x d) | 850-900mm x 514mm x 740mm |
| Cut out dimensions - Unit | 685mm x 460mm |
| Cut out dimensions - Rim | 672mm x 444mm |
| Electrical information | |
| Motor | 4.0kW (5½HP) |
| Voltages | 400-3-50 440-3-60 |
| Fuse rating | 16A - 3 phase |
| Operator controls | IP65 rated integral on/off control buttons. |
| Installation information | |
| Water connection | 22mm connection. Minimum pressure (head) of 0.18 bar (1.8m). If using mains water supply specify class A air break with special baffle. |
| Water consumption | 27-36 litres per minute. |
| Waste connection | 2" BSP threaded flange for connection to 54mm piping, laid to minimum fall of 1 in 7. |
| Electrical connection | 2.5m mains cable wired into integral controller. |
| Other features | |
| Water control | Solenoid valve for automatic water control. |
| Operator safety | Metal baffle and time delayed interlock system. |
| Special features | Automatic electronic overload to protect the motor. Automatically reversible motor for extended operating life. Machine status indicator and alarm. Motor seal failure indicator, alarm and immobilizer. Low-load cut-out for energy and water efficiency. Automatic self-cleaning system. Adjustable machine height. |
| Customer options | |
| | Class A airbreak. |
| | Magnetic cutlery saver. |
| | Cutlery/Silver saver baffle supplied in place of standard baffle at no extra cost. |
| | Hopper rim for sitting in tabling for ease of service. |
| | Remote control box. |
| Product code details | |
| F54/721 | 3 phase 4 wire 1604X |
| F54/720 | 3 phase 5 wire 1604X |
| E30/096 | Hopper rim for welding into tabling |
| S54/026 | Remote control box |
| S99/047** | Class A airbreak |
| ** | Magnetic cutlery saver |
| ** | Cutlery/Silver saver baffle |
| Shipping specification | |
| Packing dimensions (h x w x d) | 800mm x 550mm x 1000mm |
| Packing volume | 0.440m³ |
| Packing weight (gross/net) | 100kg/84kg |

** This option must be ordered with the machine.
* All diagram dimensions are in mm

Dimensions of cut-out in tabling

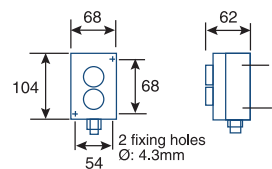


Dimensions of hopper rim



The waste disposer hopper can be welded directly to the cut-out in the tabling, or sealed to a special hopper rim which is itself welded to the cut-out.

Optional remote button box





Imperial Machine Company Ltd
Unit 1 Abbey Road
Wrexham Industrial Estate
Wrexham
LL13 9RF
United Kingdom

Tel: +44 (0)1978 661155
Fax: +44 (0)1978 729990
Email: fwd@imco.co.uk
www.imc-fwd.co.uk

Specifications are subject to change without notice.

4CM/FWDT/0107