

Lynx 400 Boiling Tops

Key Features

- Type: Electric
- Counter top unit Simmerstat temperature control (six position)
- Sealed hotplates for easy cleaning
- Electric plates: 180mm / 7"Ø
- Automatic power reduction (if pan boils dry or is removed)



LBR2

Construction

- Body: stainless steel grade 430

Available Options

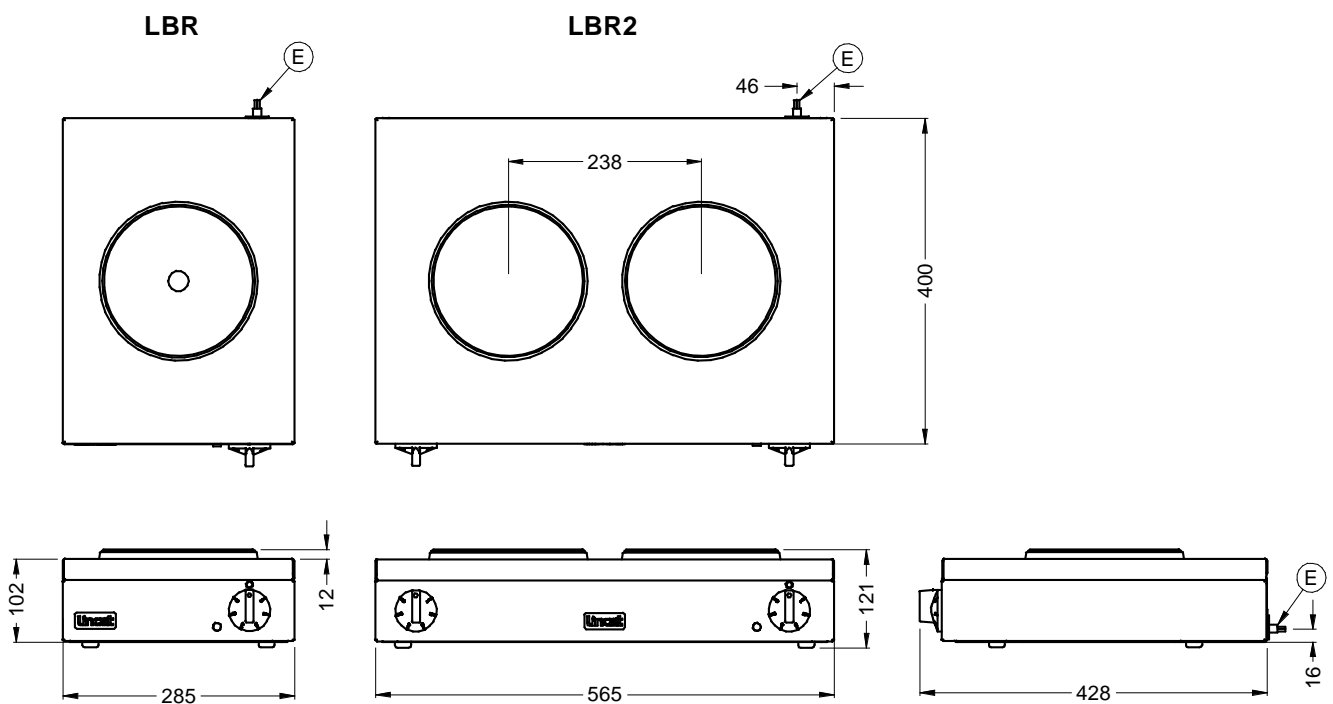
- N/A

Available Accessories

- N/A

Specifications

Model	LBR	LBR2
External height (mm)	119	119
External width (mm)	285	565
External depth (mm)	400	400
No. of hotplates	1	2
Net weight unpacked (kg)	6	10
Gross weight packed (kg)	9	13
Shipping volume (m ³)	0.090	0.145
Total power rating (kW)	2	2 X 1.5
Electrical supply 1N~+E 230V 50-60Hz Current Rating (A)	8.4	13



Lincat Limited, Whisby Road,
Lincoln LN6 3QZ,
United Kingdom

UK Sales Tel: 01522 875500 UK Spares Tel: 01522 875510 UK General Tel: 01522 875555
 UK Fax: 01522 875530 International Sales Tel: +44 1522 503250 International Fax: +44 1522 875530
 Website: www.lincat.co.uk UK Sales e-mail: sales@lincat.co.uk International Sales e-mail: export@lincat.co.uk



Document ref:
LYNXLBR_LBR2
Issue date: Feb-17