

## Lynx 400 Griddles

### Key Features

- Type: Electric
- Counter top unit
- Thermostatic temperature control (six position)
- Fast heat up time
- Even heat distribution
- Fat collection tray (removable)



LGR2

### Construction

- Body: stainless steel grade 430
- Plate: cast iron with integral splashguard

### Available Options

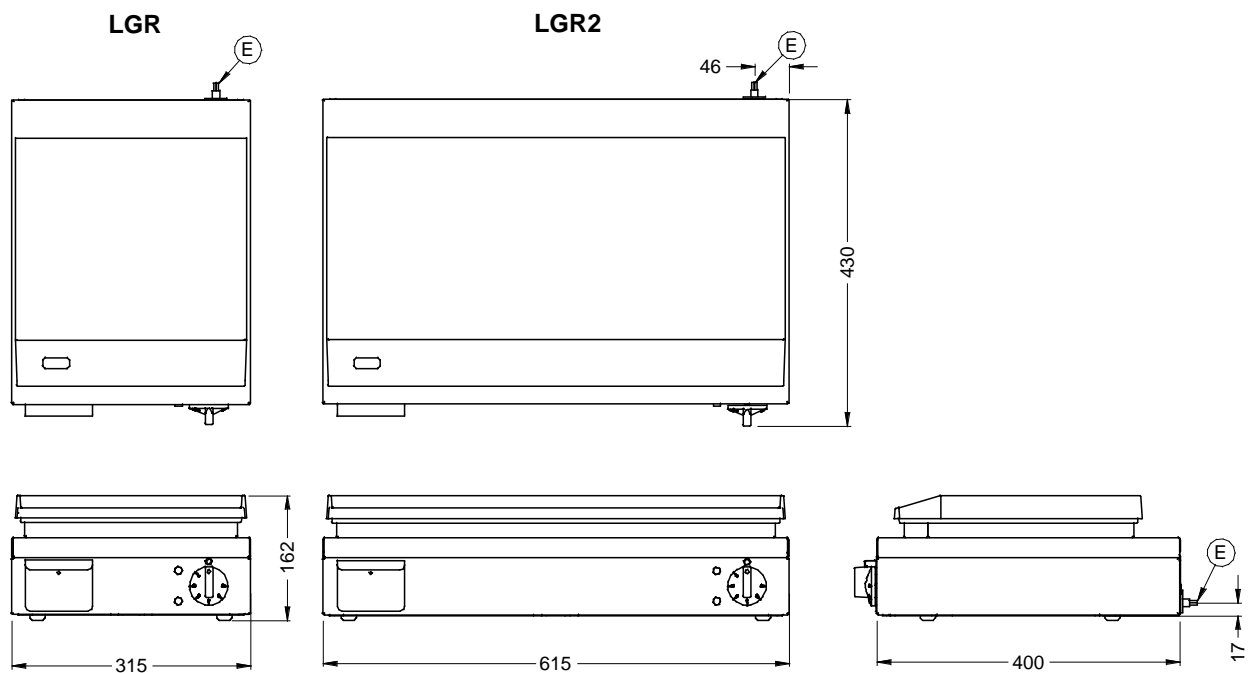
- N/A

### Available Accessories

- N/A

## Specifications

Model	LGR	LGR2
External height (mm)	162	162
External width (mm)	315	612
External depth (mm)	400	400
Usable plate area w x d (mm)	290 x 310	590 x 310
Net weight (unpacked) kg	11.5	21
Gross weight (packed) kg	14	24
Shipping volume (m <sup>3</sup> )	0.090	0.145
Total power rating kW	2	3
Electrical supply 1N~+E 230V 50-60Hz Current Rating (A)	8.6	13



Lincat Limited, Whisby Road,  
Lincoln LN6 3QZ,  
United Kingdom

UK Sales Tel: 01522 875500 UK Spares Tel: 01522 875510 UK General Tel: 01522 875555  
UK Fax: 01522 875530 International Sales Tel: +44 1522 503250 International Fax: +44 1522 875530  
Website: [www.lincat.co.uk](http://www.lincat.co.uk) UK Sales e-mail: [sales@lincat.co.uk](mailto:sales@lincat.co.uk) International Sales e-mail: [export@lincat.co.uk](mailto:export@lincat.co.uk)



Document ref:  
LYNXLGR\_LGR2  
Issue date: Feb -17