

Lynx 400 Bains Marie

Key Features

- Type: Electric
- Counter top unit
- Simmerstat temperature control
- Supplied with stainless steel pots and lids



IRR2

Construction

- Body: stainless steel grade 430
- Pots and lids: stainless steel grade 304

Available Options

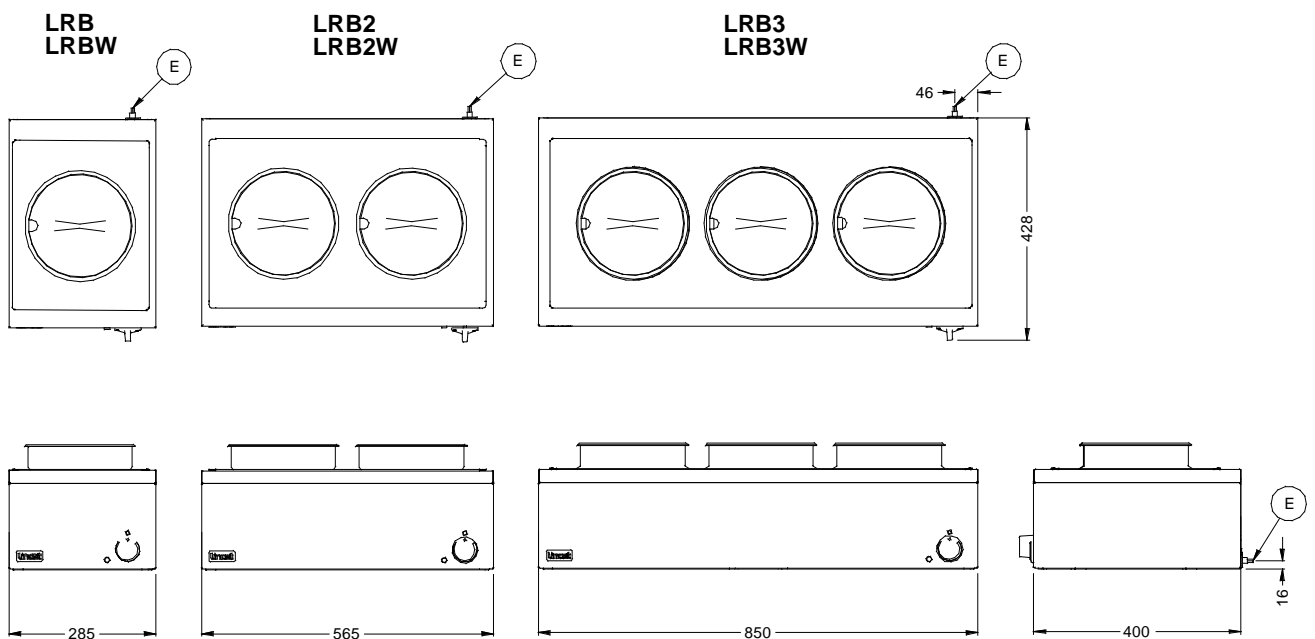
- 1, 2 and 3 pot sizes
- LRB, LRB2 and LRB3 – dry heat only
- LRBWLRBW2 and LRBW3 – wet or dry heat

Available Accessories

- N/A

Specifications

Model	LRB / LRBW	LRB2 / LRB2W	LRB3 / LRB3W
External height (mm)	245	245	245
External width (mm)	285	565	850
External depth (mm)	400	400	400
Round pot capacity (litres)	4.5	2 x 4.5	3 x 4.5
Net weight unpacked (kg)	7.2	12	17
Gross weight packed (kg)	10	15	20
Shipping volume (m ³)	0.090	0.145	0.291
Total power rating (kW)	0.25	0.5	0.75
Electrical supply 1N~+E 230V 50-60Hz Current Rating (A)	1.1	2.2	3.3



Lincat Limited, Whisby Road,
Lincoln LN6 3QZ,
United Kingdom

UK Sales Tel: 01522 875500 UK Spares Tel: 01522 875510 UK General Tel: 01522 875555
 UK Fax: 01522 875530 International Sales Tel: +44 1522 503250 International Fax: +44 1522 875530
 Website: www.lincat.co.uk UK Sales e-mail: sales@lincat.co.uk International Sales e-mail: export@lincat.co.uk



Document ref:
LYNXLRB_LRBW
Issue date: Feb-17