

Silverlink 600 Adjustable Salamander Grills

Key Features

- Type: Electric
- Counter top or wall mounted unit
- Height adjustable grill hood
- 20 minute audible timer
- Height markings
- Supplied with removable crumb tray and toasting rack
- Nitrile rubber feet
- 1/1 GN compatible



AS3

Construction

- Body: stainless steel grade 430
- Crumb tray: stainless steel grade 430
- Chrome plated toast rack
- Element: Incoloy

Available Options

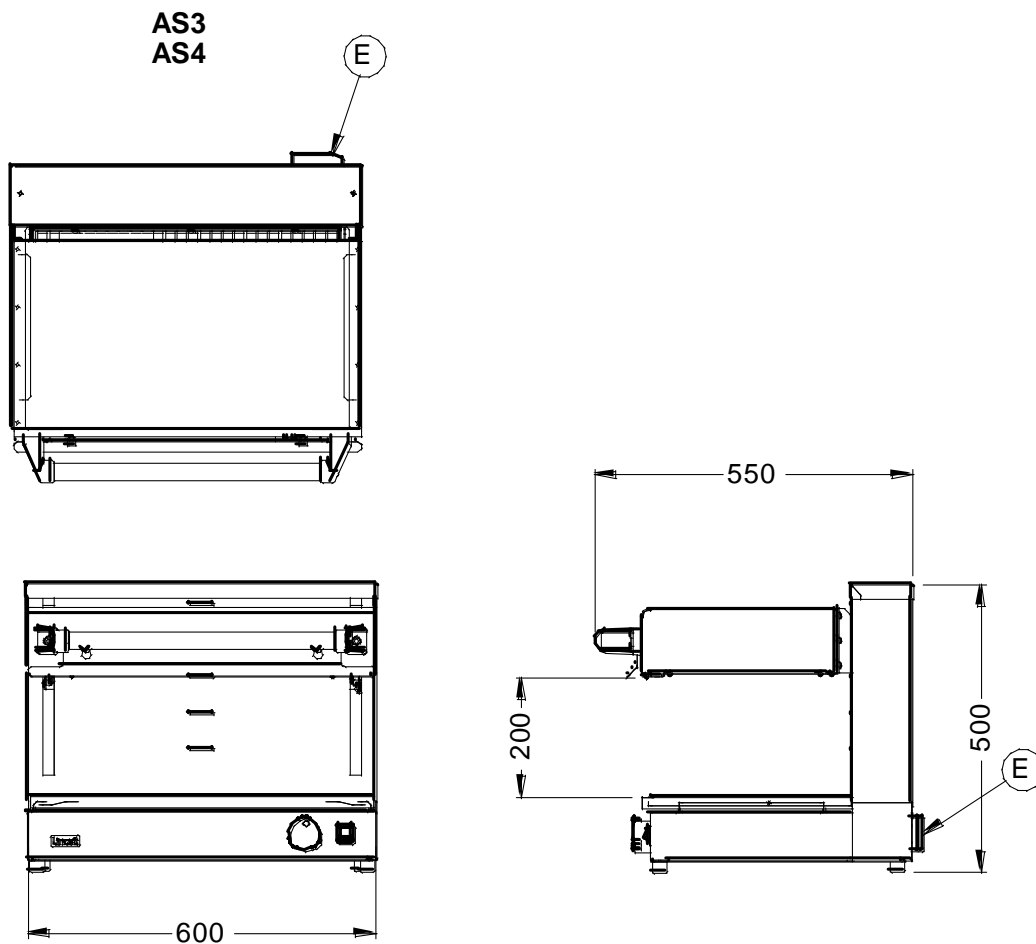
Choice of 2.8 kW and 4.5 kW units

Available Accessories

- BR51 - Wall mounting brackets

Specifications

| Model | AS3 | AS4 |
|---|-----------|-----------|
| External height (mm) | 500 | 500 |
| External width (mm) | 600 | 600 |
| External depth (mm) | 550 | 550 |
| Dimensions of toast rack (mm) W x D | 520 x 335 | 520 x 335 |
| Net weight unpacked (kg) | 45.2 | 45.2 |
| Gross weight packed (kg) | 51 | 51 |
| Shipping volume (m ³) | 0.634 | 0.634 |
| Total power rating (kW) | 2.8 | 4.5 |
| Electrical supply 1N~+E 230V 50-60Hz Current Rating (A) | 12 | 20 |



Lincat Limited, Whisby Road,
Lincoln LN6 3QZ,
United Kingdom

UK Sales Tel: 01522 875500 UK Spares Tel: 01522 875510 UK General Tel: 01522 875555
 UK Fax: 01522 875530 International Sales Tel: +44 1522 503250 International Fax: +44 1522 875530
 Website: www.lincat.co.uk UK Sales e-mail: sales@lincat.co.uk International Sales e-mail: export@lincat.co.uk



Document ref:
SLINKAS3_AS4
Issue date: Feb-17