

modric 

WASHROOM



MODRIC WASHROOM INNOVATIVE BRITISH DESIGN

Since its creation, the Modric range of architectural ironmongery has been synonymous with three words; quality, durability and aesthetics. Allgood have now developed a new range of architectural washroom panels and accessories which have been designed under the very same principles.

The signature of the Modric washroom range is the radius detail which provides the unifying aesthetic element. Marine grade 316 stainless steel is utilised to form the consistent visual appearance whilst providing the highest level of corrosion resistance. Manufactured in the UK with the attention to detail that only Allgood provide, the Modric range enhances the washroom environment whilst providing faultless performance for years to come.





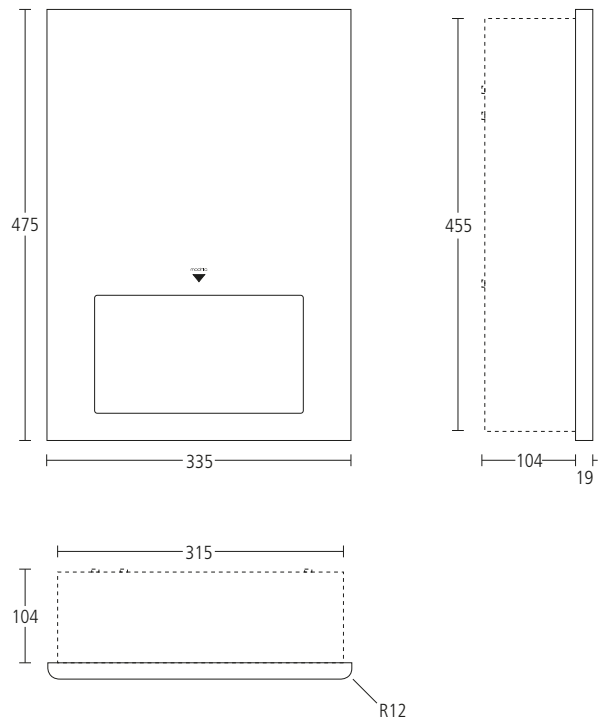
modna





SS2470 MODRIC RECESSED HAND DRYER PANEL

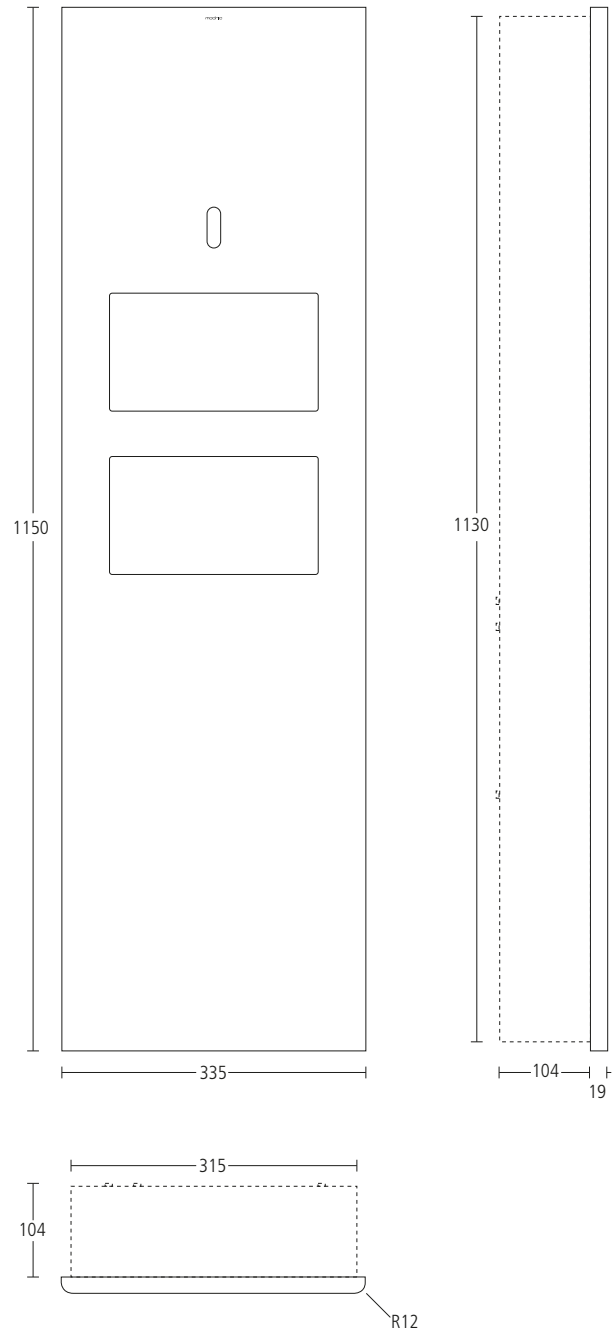
- Grade 316 satin stainless steel
- Sensor activated hand dryer
- 60 dB noise level at 1 metre
Quiet operation suitable for noise sensitive applications
- Consistent radius aesthetic
- Concealed locking mechanism
- BEAB approved
- CE marked



SS2480

MODRIC RECESSED PAPER TOWEL DISPENSER AND BIN

- Grade 316 satin stainless steel
- Paper towel dispenser suitable for Z fold paper towels
- 12.5 litre bin capacity
- Removable aluminium bin liner for ease of use
- Consistent radius aesthetic
- Concealed locking mechanism



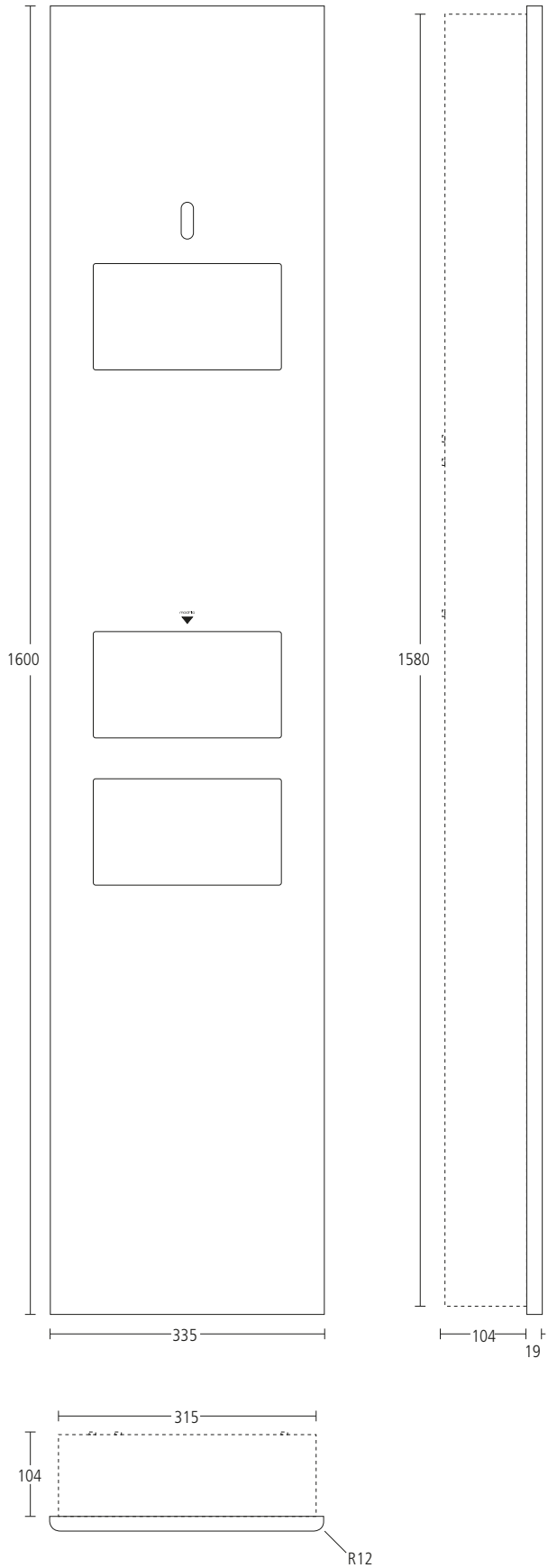




SS2490

MODRIC RECESSED PAPER TOWEL DISPENSER, HAND DRYER AND BIN

- Grade 316 satin stainless steel
- Paper towel dispenser suitable for Z fold paper towels
- Sensor activated hand dryer
- 60dB noise level at 1 metre
Quiet operation suitable for noise sensitive applications
- 12.5 litre bin capacity
- Removable aluminium bin liner for ease of use
- Consistent radius aesthetic
- Concealed locking mechanism
- BEAB approved
- CE marked





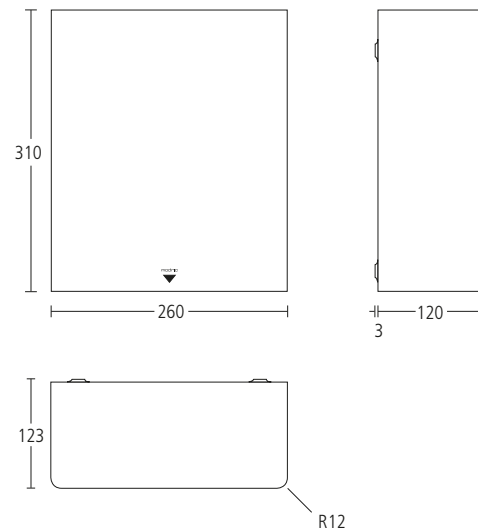
modric





SS2460 MODRIC SURFACE MOUNTED HAND DRYER

- Grade 316 satin stainless steel
- Sensor activated hand dryer
- 60dB noise level at 1 metre.
Quiet operation suitable for noise sensitive applications
- Consistent radius aesthetic with shadow gap detail
- Concealed fixing
- BEAB approved
- CE marked

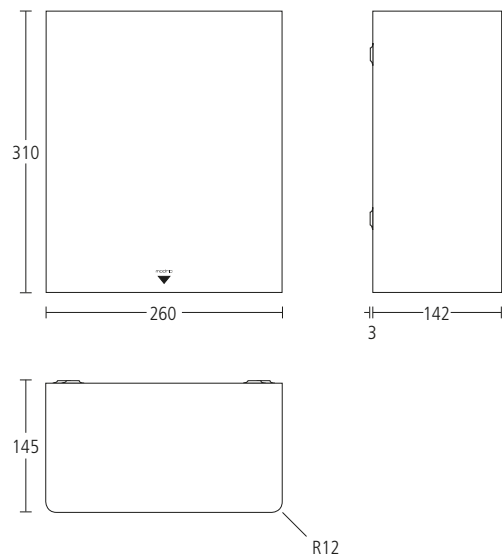






SS2461 MODRIC SURFACE MOUNTED HIGH SPEED HAND DRYER

- Grade 316 satin stainless steel
- Sensor activated hand dryer
- 75dB noise level at 1 metre
- Low energy usage saves up to 75% energy costs compared to conventional dryers
- Consistent radius aesthetic with shadow gap detail
- Concealed fixing
- BEAB approved
- CE marked

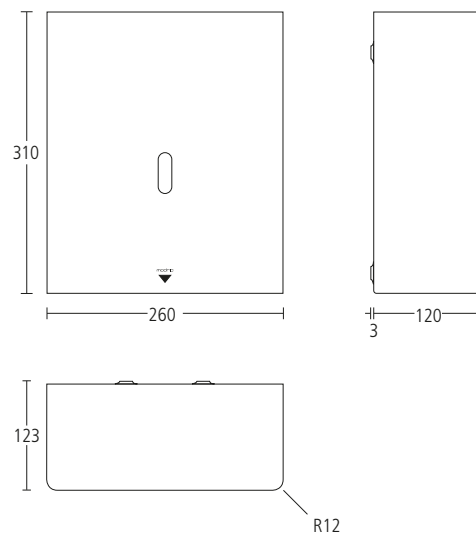






SS2462 MODRIC SURFACE MOUNTED PAPER TOWEL DISPENSER

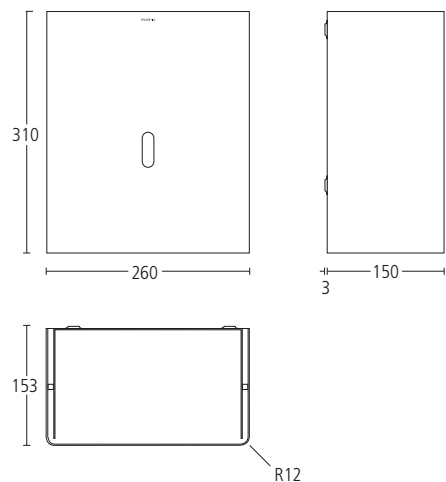
- Grade 316 satin stainless steel
- Paper towel dispenser suitable for Z fold paper towels
- Consistent radius aesthetic with shadow gap detail
- Concealed fixing





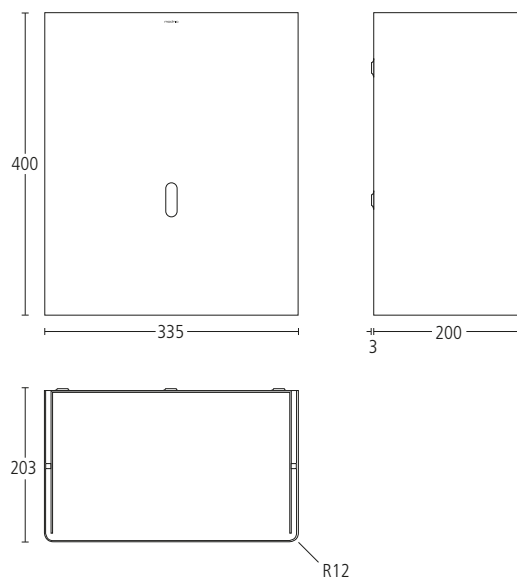
SS2465
MODRIC SURFACE MOUNTED
WASTE BIN

- Grade 316 satin stainless steel
- 12.5 litre bin capacity
- Consistent radius aesthetic with shadow gap detail
- Concealed fixing



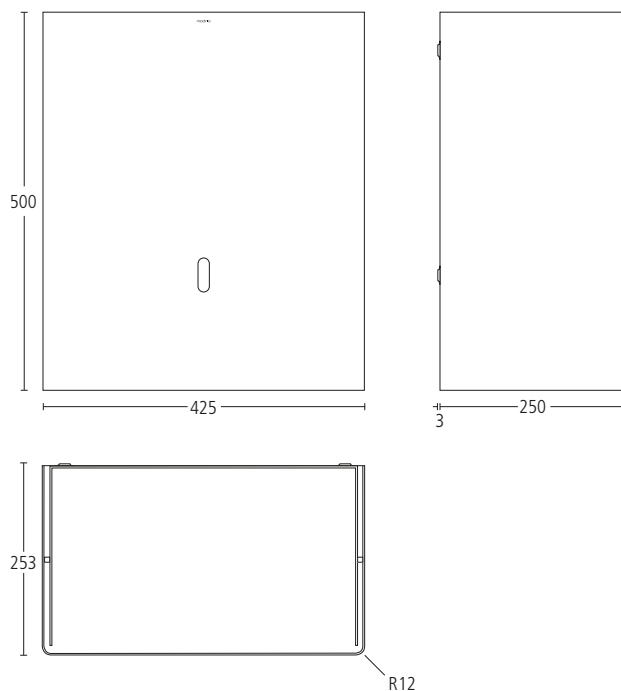
SS2466
MODRIC SURFACE MOUNTED
WASTE BIN

- Grade 316 satin stainless steel
- 25 litre bin capacity
- Consistent radius aesthetic with shadow gap detail
- Concealed fixing



SS2467
MODRIC SURFACE MOUNTED
WASTE BIN

- Grade 316 satin stainless steel
- 50 litre bin capacity
- Consistent radius aesthetic with shadow gap detail
- Concealed fixing





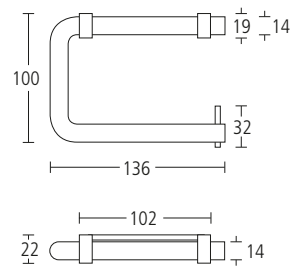






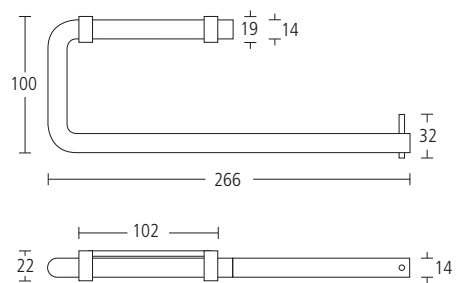
SS2440 MODRIC TOILET ROLL HOLDER

- Grade 316 satin stainless steel
- Hand finished
- Concealed fixing



SS2441 MODRIC DOUBLE TOILET ROLL HOLDER

- Grade 316 satin stainless steel
- Hand finished
- Concealed fixing

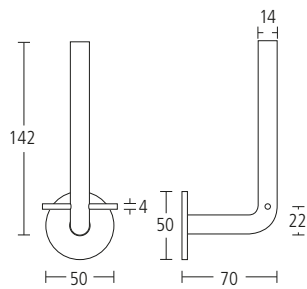






SS2442 MODRIC SPARE TOILET ROLL HOLDER

- Grade 316 satin stainless steel
- Hand finished
- Concealed fixing



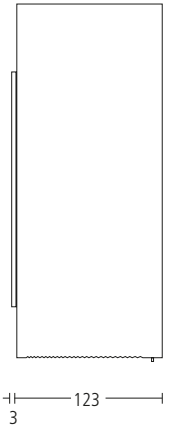
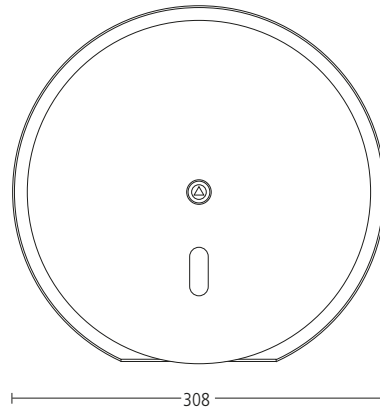




SS2443

MODRIC MAXI TOILET ROLL HOLDER

- Grade 316 satin stainless steel
- Hand finished
- Concealed fixing

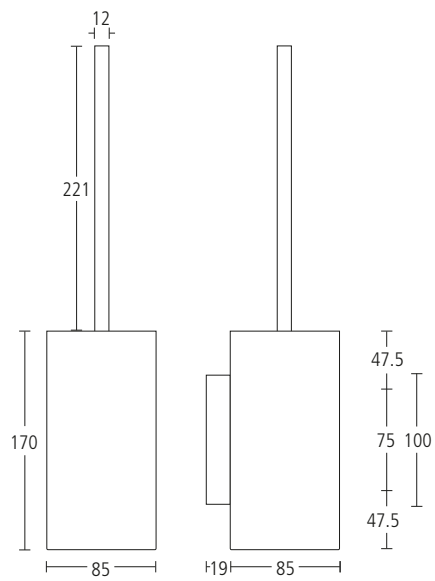




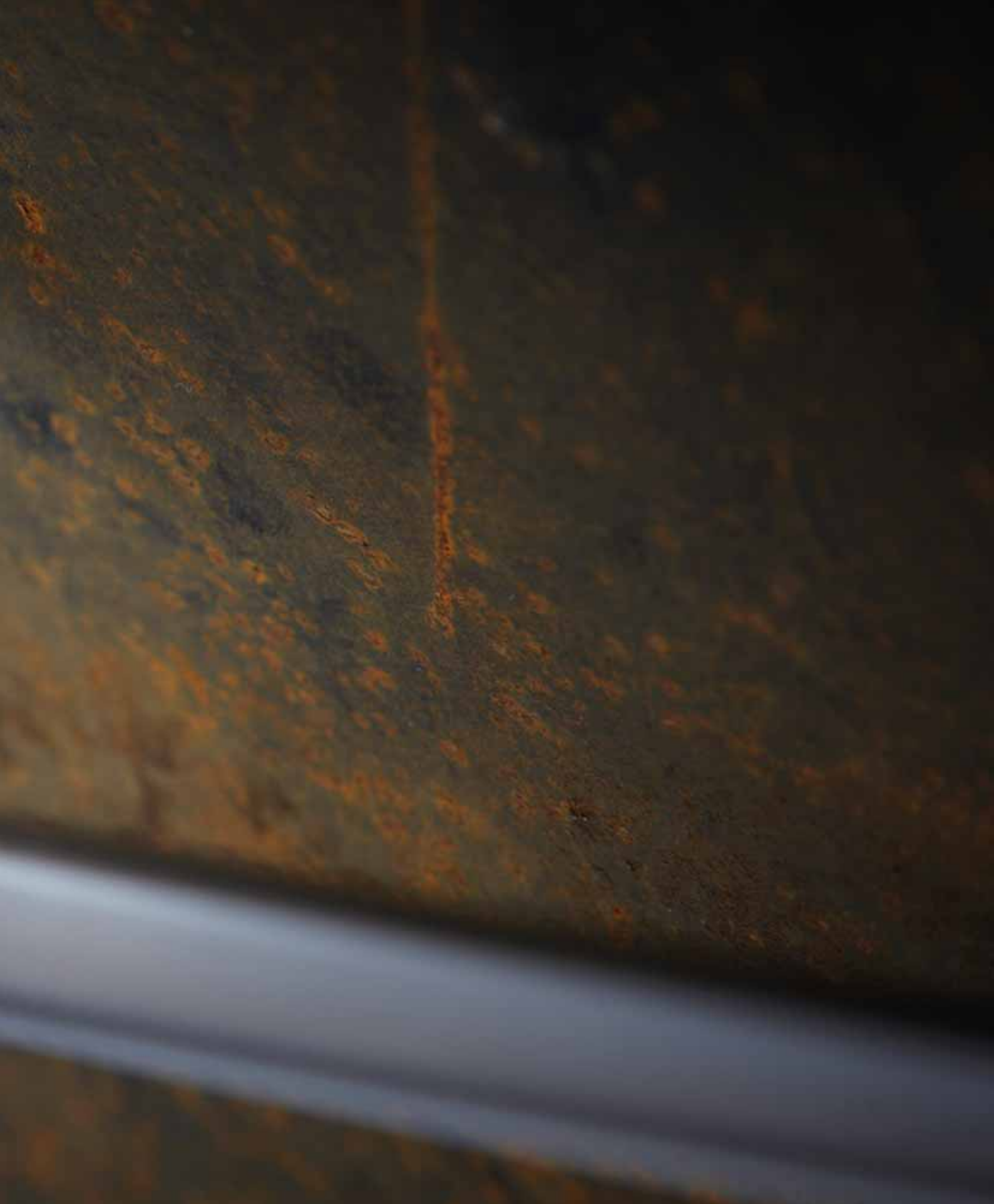
SS2445

MODRIC TOILET BRUSH HOLDER

- Grade 316 satin stainless steel
- Black toilet brush with grade 316 satin stainless steel lid and handle
- Complete with black plastic infill for easy cleaning
- Hand finished
- Concealed fixing



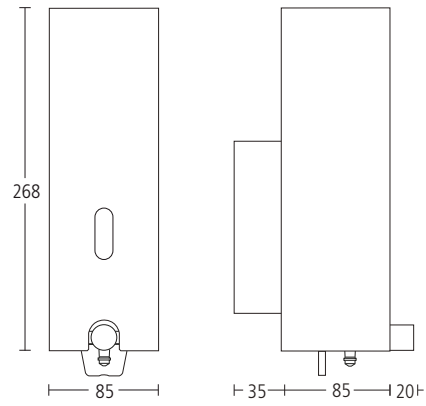






SS2450 MODRIC SOAP DISPENSER

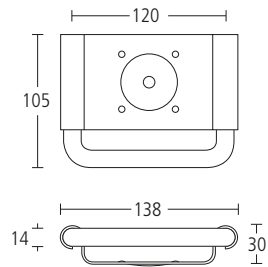
- Grade 316 satin stainless steel
- 500ml capacity
- Hand finished
- Concealed fixing



SS2451

MODRIC SOAP TRAY

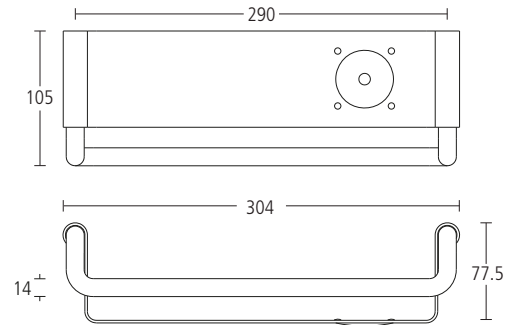
- Grade 316 satin stainless steel
- Captive satin stainless steel soap tray
- Hand finished
- Concealed fixing



SS2452

MODRIC SHAMPOO TRAY

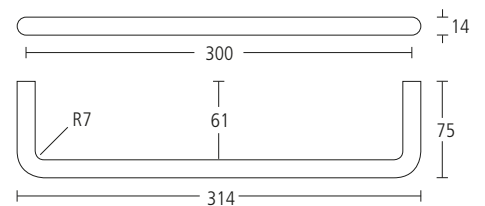
- Grade 316 satin stainless steel
- Captive satin stainless steel shampoo tray
- Hand finished
- Concealed fixing





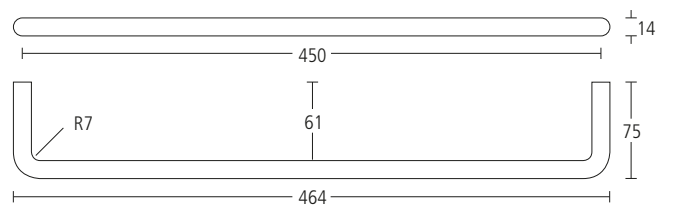
SS2453
MODRIC TOWEL RAIL
14MMØ, 300MM CENTRES

- Solid grade 316 satin stainless steel
- Hand finished
- Concealed fixing



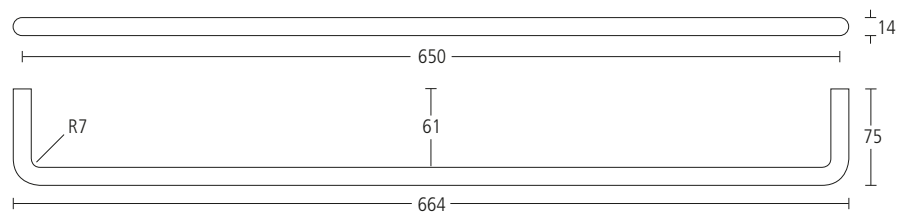
SS2454
MODRIC TOWEL RAIL
14MMØ, 450MM CENTRES

- Solid grade 316 satin stainless steel
- Hand finished
- Concealed fixing



SS2455
MODRIC TOWEL RAIL
14MMØ, 650MM CENTRES

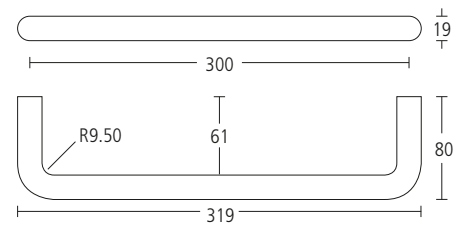
- Solid grade 316 satin stainless steel
- Hand finished
- Concealed fixing





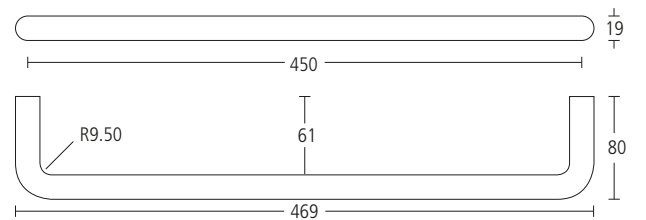
SS2456
MODRIC TOWEL RAIL
19MMØ, 300MM CENTRES

- Solid grade 316 satin stainless steel
- Hand finished
- Concealed fixing



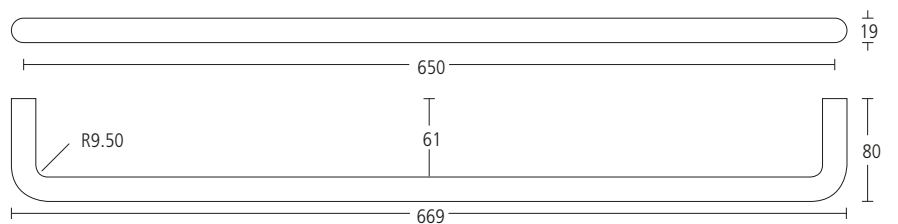
SS2457
MODRIC TOWEL RAIL
19MMØ, 450MM CENTRES

- Solid grade 316 satin stainless steel
- Hand finished
- Concealed fixing



SS2458
MODRIC TOWEL RAIL
19MMØ, 650MM CENTRES

- Solid grade 316 satin stainless steel
- Hand finished
- Concealed fixing



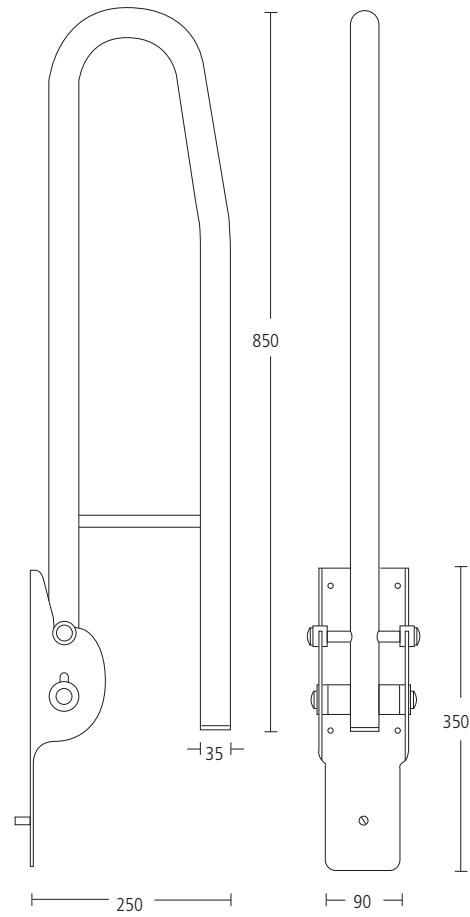


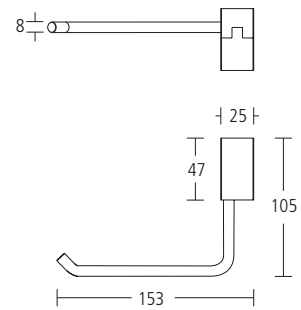




SS16000N MODRIC LIFT-UP GRAB RAIL

- Grade 316 satin stainless steel
- Hand finished
- In accordance with the recommendations of BS 8300 and Approved Document M





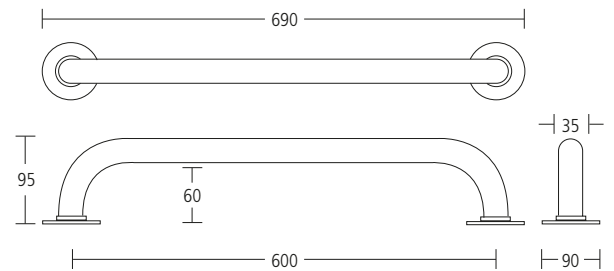
SS16000TR
MODRIC CLIP-ON
TOILET ROLL HOLDER

- Grade 316 satin stainless steel
- Hand finished
- For use with SS16000N lift-up grab rail

SS16001N
MODRIC GRAB RAIL
600MM CENTRES

- Grade 316 satin stainless steel
- Hand finished
- Concealed fixings
- In accordance with the recommendations of BS 8300 and Approved Document M

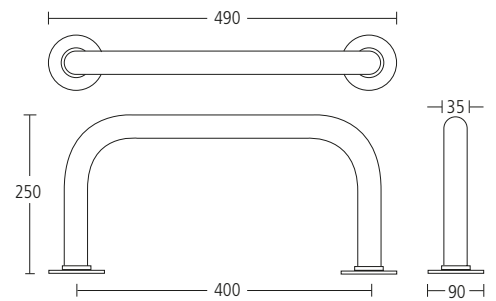






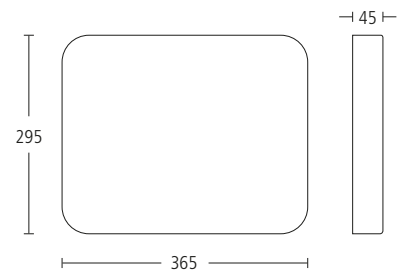
SS16002N
MODRIC BACKREST RAIL
400MM CENTRES

- Grade 316 satin stainless steel
- Concealed fixings
- Hand finished
- In accordance with the recommendations of BS 8300 and Approved Document M



XX16002PN
MODRIC BACKREST PAD
FOR USE WITH 16002N

- White padded/cushioned plastic
- Concealed fixing





Allgood would like to thank Cloud 9 Digital Design Ltd and PB Digital for their contribution to this brochure.

All information and details in this brochure are correct at time of going to press. However, Allgood plc reserves the right to change the product specifications without notice.

All dimensions are subject to production tolerances of ± 1 mm.

@lgood and **modric** are registered trademarks.

© Allgood plc 2013

modric Inc .

North American Headquarters,

P.O.Box 1639

Arboles

Colorado 81121

www.modric.com