



Installation guide
XI Font – Proud Mount



Installation requirements.

—Components included

Before commencing installation, ensure you have identified the following pieces:

1. Spill tray
2. Grate
3. Mount riser – chrome
4. Gasket
5. M4 studs – 3 x 78mm
6. M4 flange nuts x 3
7. M5 x 40mm screw x 1
8. Drain adapter
9. O-ring
10. 90° elbow 3/4"
11. 3/4" – 1 1/2" bush

Tools required for proud install: Drill; 8mm drill bit; 8mm spanner; Jigsaw, screw drivers – Phillips and flat blade.

—Determine unit location

Plan the installation. Dispenser tube lengths, benchtop and cupboard restraints and drainage requirements must be considered when determining location. Use template enclosed for drilling and cut-out details. Refer also to appliance installation requirements supplied with Drinking Water System.

—Drainage Requirements

Careful design and installation is essential to provide satisfactory drainage performance and to prevent later blockages. The Billi Font is designed to be able to be connected to a dishwasher nipple using either flexible or rigid plastic tubing or copper tubing. Where a horizontal run is needed, we recommend 20mm or 25mm copper tubing be used. An adapter bush is supplied for use where a standard 40mm trap and drain is installed.

—IMPORTANT

If drain is to be connected to a dishwasher nipple, ensure hole through nipple is drilled to at least $\varnothing 12.7\text{mm}$ (1/2") and de-burred, to allow adequate flow.

Drain must be installed with a continual fall along the entire length of the tube.

The Billi Fixture is to be installed by a licensed tradesperson in accordance with AS 3500.4 Or AS/NZ 3500.4.2 And in compliance with applicable state regulatory requirements.

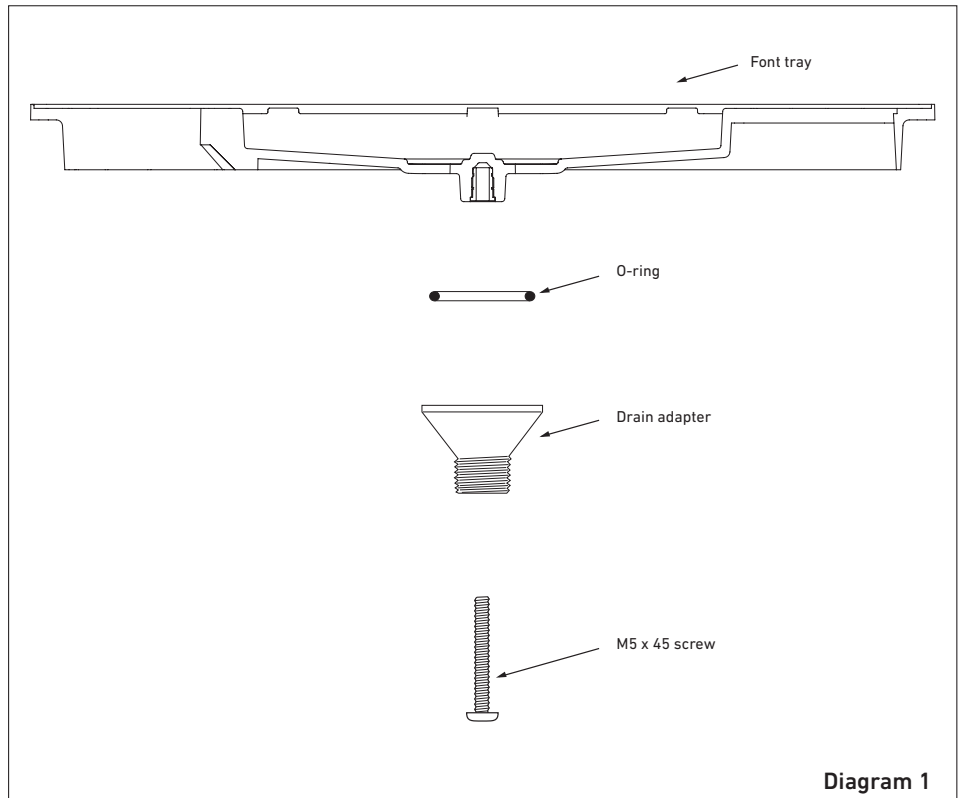


Diagram 1

Installation procedure.

—Marking and Drilling Holes

Cut the template out and place template in appropriate position. Check underneath benchtop for possible obstructions such as dividers, existing plumbing, etc. Trace round the template and drill a pilot hole for the jigsaw, using the jigsaw follow the line in which was traced onto the bench.

—Fitting Drain Adapter

1. Fit O-ring to Drain adapter.
2. Fit Drain adapter to tray. Tighten M5 screw, Note: Do NOT over-tighten the screw. Drain tube and elbow fitting are to face dispenser mount hole.

—Fitting Billi Font to Benchtop

1. Ensure silicone bead is installed around the edge of the cut out - ref to Diagram 2.
2. Lower the Font tray into the cut out and insert 4 x M5 bolts, one in each corner.
3. Fit the clips and M5 Flange nuts to all 4 bolts - refer to Diagram 3.
6. Tighten nuts until rim sits flat on benchtop. Do NOT over-tighten nuts.

—Fitting Dispenser Riser (refer to diagram 4)

1. Screw 3 x M4 studs into the rear of the riser.
2. Fit the Gasket over the studs.
3. Place the riser through the cover plate and into position on the font.
4. Fit and tighten 3 x M4 Flange nuts to the underside of the bench.

—Fitting Dispenser Head Assembly (refer to diagram 5)

1. Feed dispenser tubing and loom through centre hole in riser in the following order:
 - a) Dispenser power cord
 - b) Grey vent silicone tube. Feed tube until reducing join passes through Mount riser assembly – see Diagram 3.
 - c) Red and blue silicone tubing. Check tubing is not kinked or twisted.
2. Turn dispenser head to 60° from the straight ahead position of mount base. Slide head assembly onto base assembly whilst gently pulling tubing downwards from underneath. Dispenser mounting lugs will pass out and slide down the 3 grooves on the swivel bearing.
3. Once fully down, turn dispenser head to straight ahead position. Fit M4 x 10mm chrome plated retaining screw rear threaded hole and tighten with Allen Key supplied.

—Connect Tubing to Underbench Module

Connect dispenser tubing to underbench module as per installation instructions supplied with your unit.

—Connect Drainage

Connect drainage tubing with reference to Drainage Requirement instructions on previous page. Drainage tube must be installed with a continual fall along the entire length of the tube and must be adequately clipped and supported.

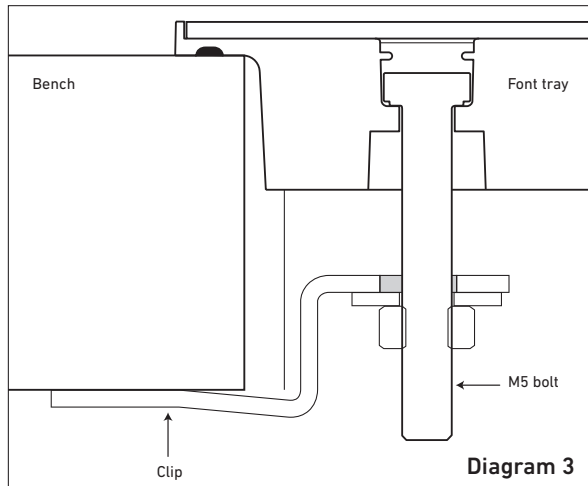


Diagram 3

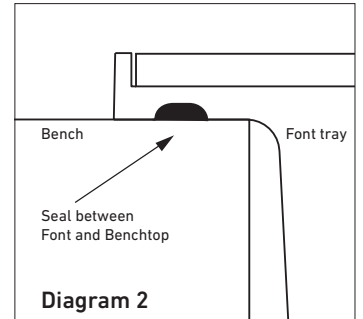


Diagram 2

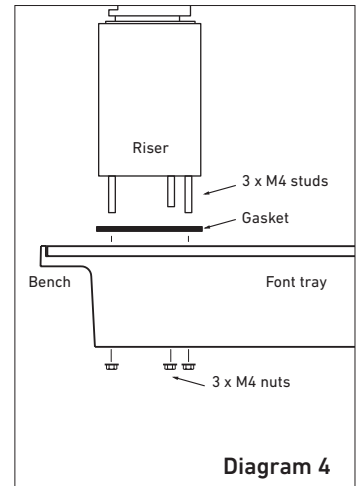


Diagram 4

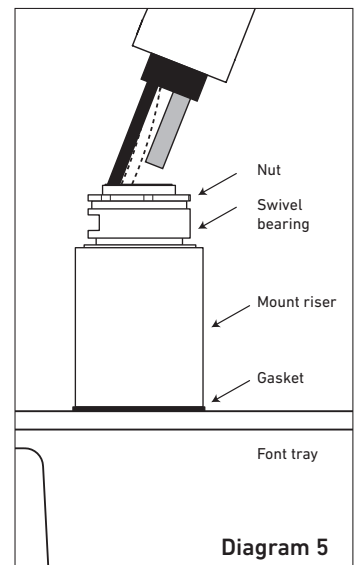
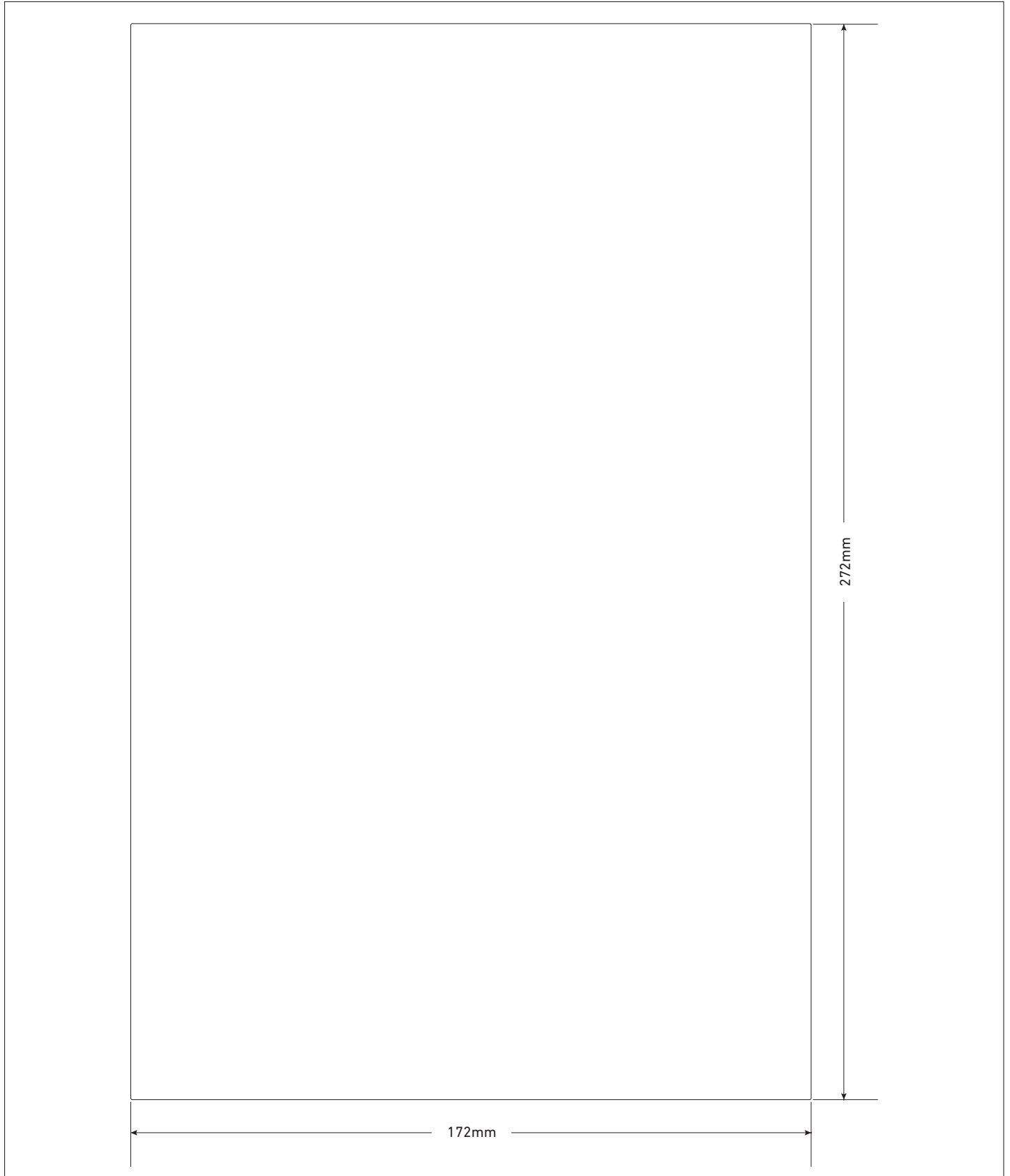


Diagram 5

Installation procedure.

Diagram 4
Hole Cut-Out Diagram
– See Template for actual size,

Before using check dimesions are accurate.



Billi Pty Ltd
42 Lucknow Crescent, Thomastown
Victoria 3074 Australia

Telephone +61 3 9469 0400
Facsimile +61 3 9469 0499

www.billi.com.au

Designed and manufactured in Australia.

As Billi Pty Ltd has a policy of continual improvement, all details are subject to change without notice. All goods are sold subject to our published terms and conditions. Billi is a registered trademark. 1012