



Zip

Limescale filters

95601 for Home & 95602 for Work light usage

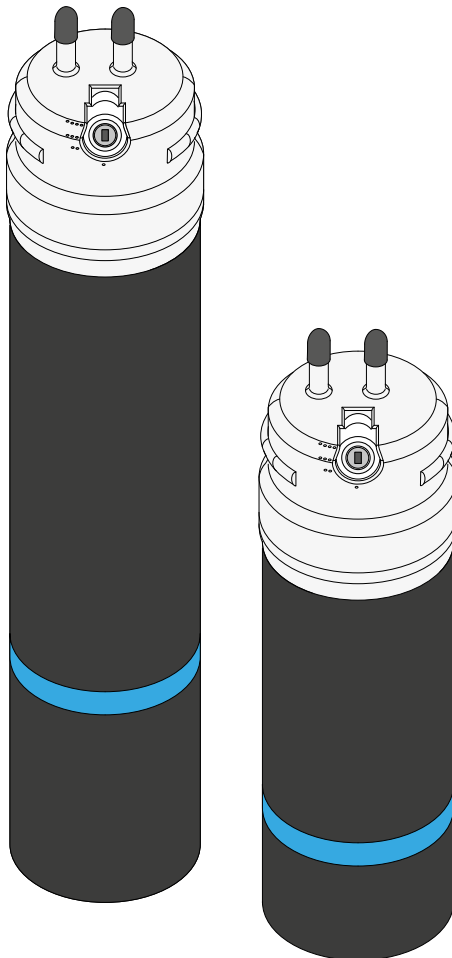


Table of contents

SECTION 1: Using these instructions	2
SECTION 2: IMPORTANT SAFETY INSTRUCTIONS.....	3
SECTION 3: Filter information	4
SECTION 4: Installation	5
SECTION 5: Filter flush.....	7
SECTION 6: Bypass valve	9
SECTION 7: Troubleshooting.....	10
SECTION 8: Maintenance and use.....	11

SECTION 1: Using these instructions

Before you start



This document is an Installation instruction manual and User Guide for the Zip limescale filter range.

For further details on installing and operating your complete system, download & read the relevant appliance installation and user instructions, which can be found online at: specify.zipwater.co.uk

Retain this manual following installation, to refer to, in order to safely use maintain and replace the filter.



Read and use the instructions supplied with individual kit components for a safe installation.

Explanation of symbols



Read the instructions



WARNING



CAUTION

SECTION 2: IMPORTANT SAFETY INSTRUCTIONS



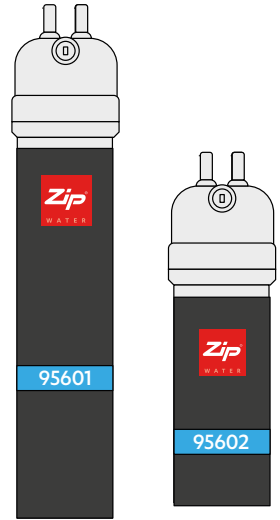
- In the UK the system must be installed in accordance with water supply byelaws.
- As the installer, it is your responsibility to supply and install all valves as required by local regulations and relevant standards.
- All installation and service work must be completed by trained and suitably qualified tradespeople. Faulty operation due to unqualified persons working on this product, may void warranty coverage.
- Use of tools can be hazardous, assess the risks before you start.
- Do not over tighten plumbing and hose connections.
- Connect only to a potable (wholesome, cat1) mains water supply.
- In the event of accidental contamination of the water supply upstream of the filter, it is essential to disconnect it, and once the correct conditions have been restored, replace the filter and then carry out a disinfection cycle of the connected appliance.
- When choosing the installation site, observe the environmental conditions indicated in the technical data and ensure that the area is in a hygienic condition compatible with use.
- For optimum performance install the filter vertically with the connections at the top, otherwise there may be a reduction in performance. Use the security clip.
- Observe the environmental limits and conditions of the filter during storage and transportation.
- Protect from direct sunlight, heat sources and frost.
- This filter is not designed for outdoor use.
- Ensure that the filter is not installed in an area where the ambient air temperature cannot fall below 4°C.
- With each replacement, check the state of wear and the integrity of the pipes and fittings, which must be replaced after 5 years at the latest.

SECTION 3: Filter information

Technical data & filter identification

Specification	Unit	95601	95602
Dimensions (dia. x height)	mm	88 x 373	88 x 518
Connection	inch	3/8 PF stem	
Operating pressure	bar (MPa)	2 - 6 0.2-0.6	
Installation position		Vertical	
Max flow rate	L/min	1.5	2.0
Inlet water temperature range	°C	5 - 35	
Room temperature range	°C	4 - 30	
Weight empty	kg	1	1.5
Capacity*	L	1250	1850

* Always bear in mind that the capacities given in the data sheets and on the filters have been tested and calculated according to the user's application and conditions of use. These data may vary considerably due to variations in the quality of the incoming water, unstable pressures and several depletion cycles.



Functionality and compatibility

The Zip disposable limescale filters are used for the removal of water hardness and include a 0.5µm water filtration stage using carbon block technology including silver ions. The filter refines the water quality by:

- Removal of carbonate-derived hardness that generates scale.
- Reducing undesirable cloudiness, organic impurities, taste, odour and chlorine residue in the drinking water.

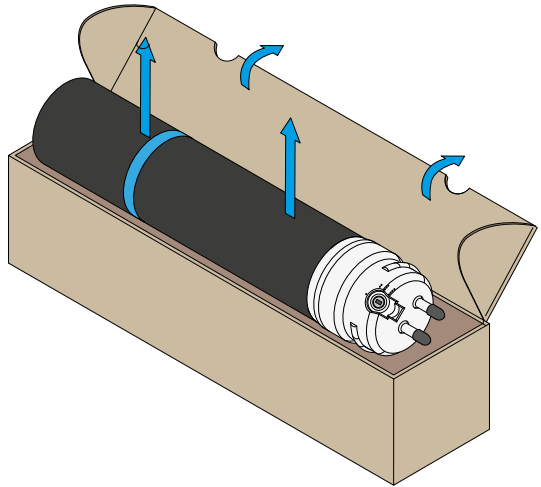
It protect your appliance from mineral deposits and water related aggression.

The Zip disposable limescale filter cartridges can be used to reduce the incidence of limescale in any boiling water appliance.

SECTION 4: Installation

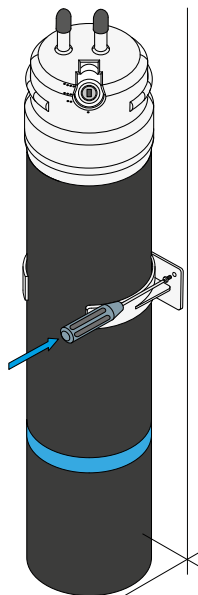
Unpack the filter cartridge

- Lay the filter cartridge pack on a horizontal surface.
- Open the pack, and pull out the filter cartridge.

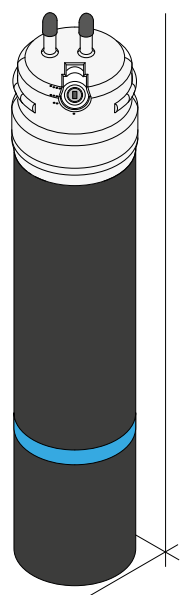


Site the filter cartridge & connect the hoses

- Site the filter cartridge as close as the appliance as possible.
- Install vertically. For extra security, attach to a wall or cupboard side with the optional security clip.
- Call Zip on 0345 6 005 005 for clips.



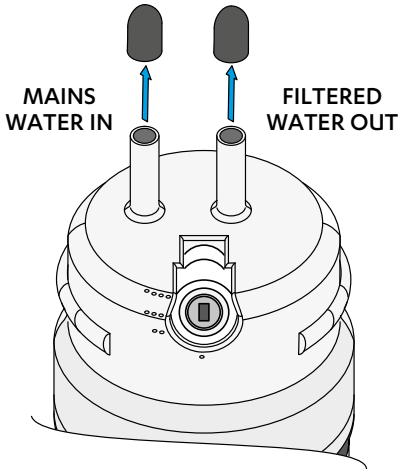
Clipped in place



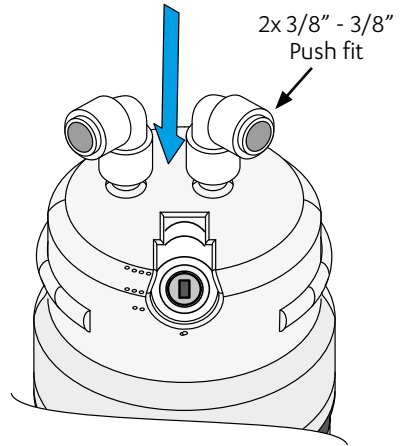
Free standing

SECTION 4: Installation

- Check the connections & remove the connector caps.



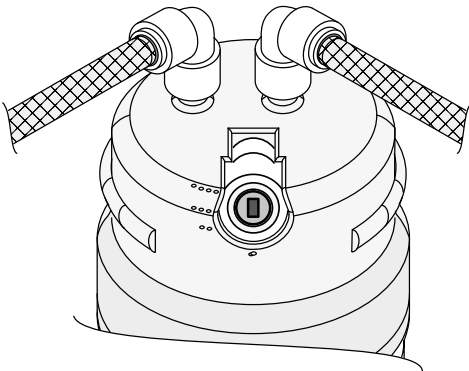
- Fit the connectors.



- Fit the braided hoses to the filter and the appliance.



Read the instructions supplied with the appliance for appliance connections.



SECTION 5: Filter flush

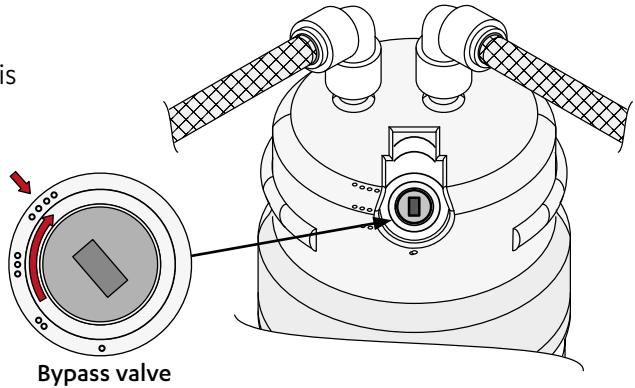
Flush the filter cartridge

Set the filter bypass valve to position 4



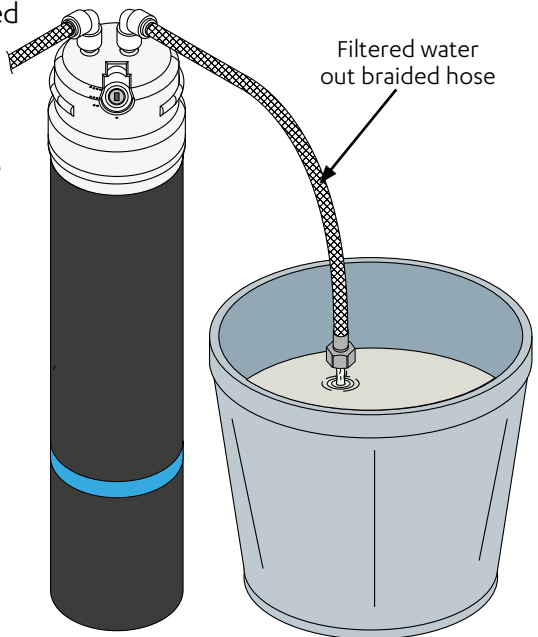
Read the instructions supplied with the appliance to flush the filter.

- Make sure the appliance is correctly installed.
- Check the water connections.
- Turn the bypass valve setting on the filter to Position 4.



Flush 1 litre

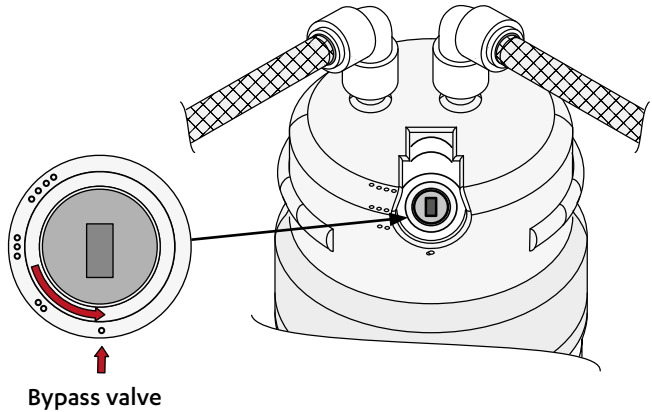
- Disconnect the end of the filtered water out braided hose from the appliance.
- Place it into a large bucket.
- Flush 1 litre of water through the filter.



SECTION 5: Filter flush

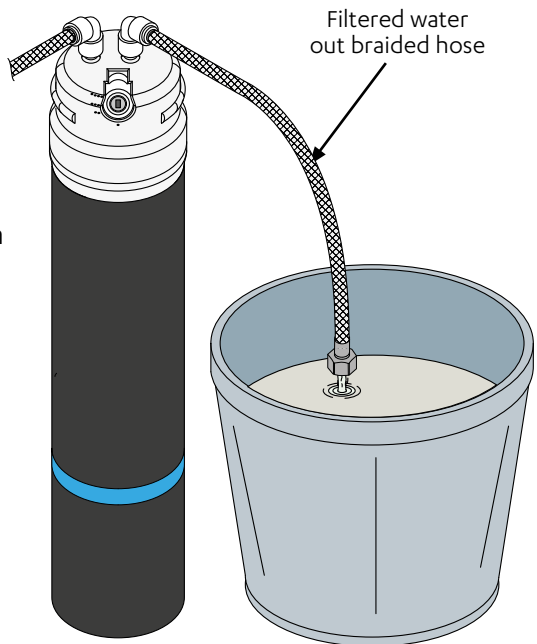
Set the filter bypass valve to position 1

- Change the bypass valve to setting to position 1.



Flush the full volume through the filter

- Place the filtered water outlet braided hose into a bucket.
- Flush and dispense a further :
 - **95601** 10 litres of water through the filter.
 - **95602** 20 litres of water through the filter.
- Re-connect the braided hose to the appliance.



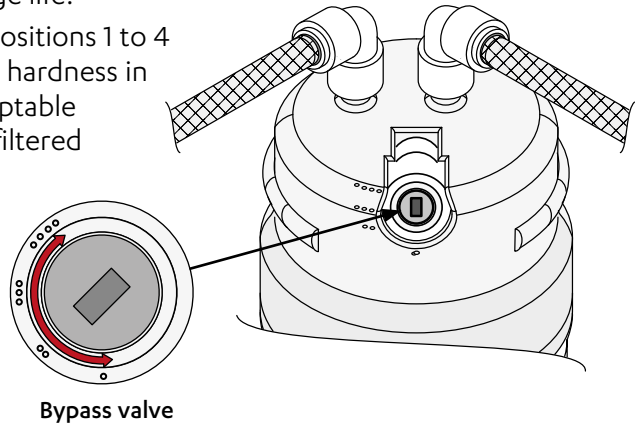
SECTION 6: Bypass valve

Set the filter bypass valve for use

- The bypass valve allows a percentage of the water flowing through the filter cartridge to bypass the filter blocks, this allows a balance between water quality and filter cartridge life.
- Set the bypass valve in positions 1 to 4 depending on the water hardness in your area and your acceptable level of hardness in the filtered water.

Incoming water hardness

- 4 -Very Low hardness.
- 3 - Low hardness.
- 2 - Medium hardness.
- 1 - High hardness.



SECTION 7: Troubleshooting

Non functional warnings	Cause & action
No water flow to the appliance	Check the inlet hose to the filter. Call us on 0345 6 005 005 to book a service visit
Low water flow to the appliance	Check water pressure. Check if Isolation valve partially closed. Check if Inlet fittings are blocked. Call us on 0345 6 005 005 to book a service visit
Water leaks	Check that the filter manifold fittings are tightened to the correct torque, and and not cross threaded Call us on 0345 6 005 005 to book a service visit
Water discoloured or quality non as expected	Check the bypass level. Check that the installation conditions are met (technical data table) Check that the filter capacity is sufficient for the water conditions Call us on 0345 6 005 005 to book a service visit

SECTION 8: Maintenance and use



Failure to maintain the filter and replace it at recommended intervals could result in a hazard that may cause harm to people and damage to property.

Regular inspection and cleaning

- Depending on the quality of the mains water and the criticality of use, periodic inspections are recommended in accordance with any requirements of the inspection body and the applicable local regulations.
- Regularly clean the outside of the filtration system using a soft, damp cloth; do not use corrosive chemicals, cleaning solutions or mechanical abrasive cleaners.
- Regularly check the filtration system for leaks and that the hoses, pipes and tubes aren't kinked, stressed or coiled up.

Replacement intervals



Ensure that the filter is replaced at intervals specified below, failure to do so may result in a loss of water quality.

- It is recommended that the filter be replaced at 6 month intervals or earlier if drinking water quality deteriorates.

Periods of non-use

- It is recommended that the filter be replaced after a period of non use of more than 4 weeks
- For periods of non use of between 48 hours and 4 weeks, flush the filter prior to use.



Zip Water UK

Trafalgar House, Rash's Green,
Dereham, Norfolk, NR19 1JG

0345 6 005 005

sales@zipwater.co.uk

[specify.zipwater.co.uk](https://www.specify.zipwater.co.uk)